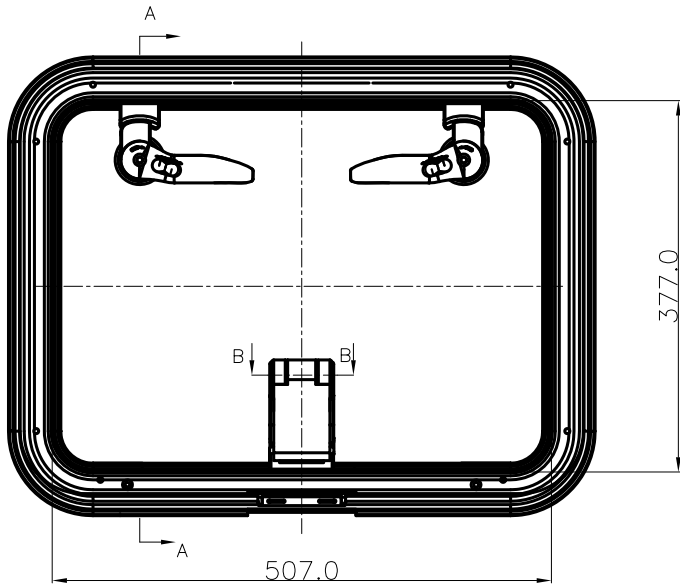
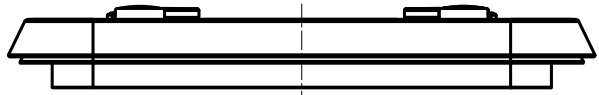
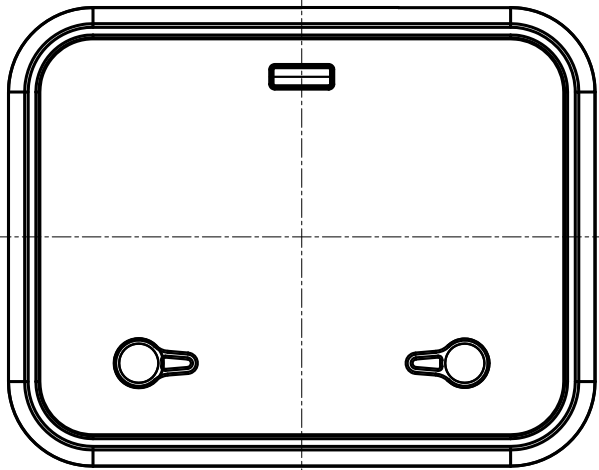
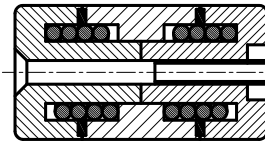


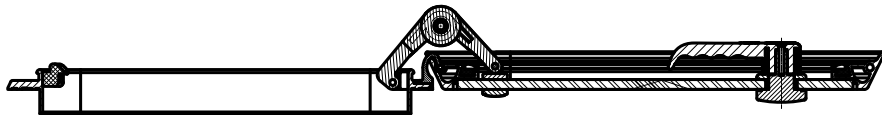
NO.(ECN)	Revision	Description	Date	Revised
----------	----------	-------------	------	---------



A-A



B-B
2:1



Unless otherwise specified; tolerances are:

1. Wall Thickness = $\pm 5\%$
2. Angles = $\pm 2^\circ$
3. Profile dimensions fit : ISO JS13

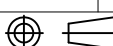
★ INDICATES "CRITICAL TO QUALITY"
REMOVE BURRS AND SHARP CORNERS

DDAW-0.25 Z.H.D. Date: 20090917



Bainbridge International Ltd

377*507 天窗组装图/(Size50)
377*507 Square Hatch Flange base(Assembly)

Checked: _____ Date: _____
Approved: _____ Date: _____
Projection:  A4V

M'TL: _____ Scale: 1:8
Weight: g Dimensions: M/M
Finish: _____ SHEET 1 OF 1

DWG. NO.: 09322AAB25
Customer's No.: