



Bainbridge

BF1

ENGINE & FUEL SYSTEMS

ENGINE ROOM • OILS • ANODES • FITTINGS • OUTBOARD





Bainbridge

Welcome to the Engine & Fuel Systems catalogue

This catalogue represents the very latest Bainbridge product selection with many new lines added - including a fully comprehensive range of OEM replacement engine cooling pumps from Albin Pump Marine – covering popular Volvo Penta & Yanmar applications – at very competitive prices.

This range is complimented by an extensive selection of replacement pump impellers for a large number of applications – all listed with OE and other aftermarket part numbers – for easy cross reference ordering.

Also fresh to this catalogue is an entirely new range of lubricants from Rock Oil. This now gives a full selection of lubricants designed for all Marine Engines – including inboard and inland waterways. Bainbridge selection has been broadened to increase its appeal – ensuring you always have the right products for the job at hand.

The Moeller range of fuel system products has also been updated with many new lines added –

offering OEM quality fuel fittings, lines and tanks that cover all of the UK's popular outboard and engine makes. This range is now catalogued in a new easy to use format which shows exactly what mates with what, and a working 'kit list' to tailor make fuel lines.

This wide product selection gives everything the modern boat owner needs to upgrade their boat and keep it running in the best of form.

All of which is backed up by Bainbridge's class - leading delivery service – which offers the most direct shipping wherever you are located – and our knowledgeable and trusted customer service team.

- ◆ Over 8,000+ products for same day despatch
- ◆ Dedicated E-Commerce site
- ◆ 24/7 real time stock levels, online pricing, quick and simple ordering
- ◆ Order before 4.30pm for next day delivery
- ◆ Free shipping
- ◆ Local to Global distribution network and service

Contents

| ENGINE ROOM | | | |
|-------------------------------------|-------|--|-----------------|
| Flexible Impeller Pumps | 2 | Oil - TC-W3 | 59 |
| Ballast Flexible Impeller Pumps | 3 | Oil - Engine | 53-64 |
| Gear Pumps | 4 | Oil - Gear | 62 |
| Oil Change Pumps | 4 | Power, Trim & Tilt Fluid | 63 |
| Clutch Pumps | 5 | Transmission Oil | 63 |
| Electro Magnetic Clutches for Pumps | 6 | Grease - StarBrite | 64 |
| Vaccum Valves | 7 | Fogging Oil | 64 |
| Volvo Penta Engine Pumps | 8-15 | Oil Absorbent Sump Booms | 64 |
| Yanmar Engine Pumps | 16-19 | Antifouling - Drive | 65 |
| Scania Engine Pumps | 20 | Streamline Shaft Anodes | 66 |
| Impeller Tools | 21 | Ball Shaft Anodes | 67 |
| Leisure Boat Impellers | 22-27 | Electro Eliminators | 68 |
| Commercial Boat Impellers | 28-35 | Rudder Anodes | 69 |
| Flange Mount Air Blowers | 36-37 | Trim Tab Anodes | 69 |
| Flex Mount Air Blowers | 38-39 | Leg Anodes | 69 |
| In Line Mount Air Blowers | 40-41 | Bennett Anodes | 71 |
| Partition Mount Air Blowers | 42 | Universal Outdrive & Leg Anode | 71 |
| Blower Hose | 43 | Pencil Anodes | 71 |
| Worm Drive Hose Clips | 44 | CMAN Beneteau Anodes | 72 |
| Wet Exhaust Waterlock | 44 | Bruntons Anodes | 72 |
| Wet Exhaust Clamps | 45 | GORI Anodes | 73 |
| Wet Exhaust Bellows | 45 | Max-Prop Anodes | 73 |
| Wet Exhaust Hose | 46 | Radice Anodes | 74 |
| Exhaust Temperature Alarm | 47 | Sole Diesel | 75 |
| Hand Pumps | 47 | Caterpillar Outdrive Anodes | 75 |
| Siphon Pumps | 47 | Cummins Anodes | 75 |
| | | Mercury Anode Kits | 76-77 |
| | | Mercury Anodes | 78-79 |
| | | OMC, Johnson, Evinrude, BRP Anodes | 80 |
| | | Volvo Penta Anode Kits | 81 |
| | | Volvo Penta Anodes | 82-83 |
| | | Yamaha Anodes | 84 |
| | | Yanmar Anodes | 84 |
| ENGINE & OUTBOARD | | FUEL SYSTEMS | |
| Workshop Tools | 48-49 | Fuel Cans | 85 |
| Flushing | 50 | Funnels | 86 |
| Outboard Flushing Muffs | 50 | Fuel Line Adapter for Jerry Cans | 86 |
| Cassette Hose for Flushing | 50 | Outboard Engine Fuel Tanks | 87-88 |
| Antifreeze - StarBrite | 51 | Hold Down Kits | 88 |
| Antifreeze - Rock Oil | 52 | Replacement Cap Kit | 88 |
| Oil - Rock Oil | 53-58 | Below Deck Fuel Tanks | 90 |
| Oil - TC-W3 | 53 | Fuel Pick-Ups for Fuel Tanks | 91 |
| Oil - Inboard Engine | 54 | Tank Vents | 92 |
| Oil - Diesel Engine | 55 | Fuel Line | 93 |
| Oil - Gear | 56 | Worm Drive Hose Clips | 93 |
| Oil - Transmission | 56 | EPA & CARB Fuel Line | 94 |
| Grease - Rock Oil | 57 | Fuel Tank Fill Hose | 94-95 |
| Oil - Hydraulic Steering | 57 | OEM Outboard Fuel Lines | 96 |
| Inhibitor Spray for Engines | 58 | | |
| Grease - Stern Tube | 58 | | |
| Grease - Water Pump | 58 | | |
| Water Pump Grease | 58 | | |
| Water Resistant Grease | 58 | | |
| Oil - StarBrite | 59 | | |
| | | Honda Fuel Line | 96 |
| | | Johnson / Evinrude / BRP Fuel Line | 97 |
| | | Mercury / Mariner Fuel Line | 97 |
| | | Mercury / Mariner Fuel Line | 98 |
| | | Yamaha Fuel Line | 98 |
| | | Universal Fuel Lines | 99 |
| | | Primer Bulbs | 99 |
| | | Moeller Fittings Application Chart | 100 |
| | | Honda Fuel Fittings & Connectors | 101 |
| | | J / E / BRP Fuel Fittings & Connectors | 102 |
| | | Mercury Fittings & Connectors | 103-104 |
| | | Nissan/Tohatsu Fittings & Connectors | 104 |
| | | Suzuki Fuel Fittings & Connectors | 105 |
| | | Yamaha Fuel Fittings & Connectors | 106 |
| | | Barbs, Anti Siphon Valves & Menders | 107 |
| | | Bulkheads, Elbows & Valves | 108 |
| | | Fuel Filters & Water Separators | 109 |
| | | Fuel Gauges & Senders | 110 |
| | | Fuel Gauge Kits | 111 |
| | | Fuel Gauges | 112 |
| | | Fuel Additives for Petrol Engines | 113 |
| | | Fuel Additives for Diesel Engines | 115 |
| | | Fuel Tank Cleaner | 116 |
| | | SAFETY | |
| | | Fire Extinguishers | 117 |
| | | Auto Fire Extinguishers | 118-119 |
| | | Fire Blankets | 119 |
| | | Kill Switch Lanyards | 120 |
| | | Kill Switch | 120 |
| | | ACCESSORIES | |
| | | Outboard Security | 121 |
| | | Outboard Extension Handles | 122 |
| | | Hydrofoil Stabilisers | 122 |
| | | Transom Pads | 123 |
| | | Outboard Mounting Pads | 124 |
| | | Outboard Brackets | 125-126 |
| | | Outboard Engine Covers | 128 |
| | | Outboard Propeller Bags | 128 |
| | | Outboard Lower Engine Covers | 129 |
| | | Outboard Full Engine Covers | 129 |
| | | PART NUMBER INDEX | page 130 |
| | | PRODUCT INDEX | page 134 |

General Purpose Pump FIP

Albin Pump Marine FIP DC Pumps are self-priming with reversible flow direction – ideal for dockside services such as bilge and deckwash pumps, refuelling pumps for diesel and oils as well as for fresh water and ballast pumping.

- ◆ Rugged flexible impeller general purpose pumps in thermo polymer or brass bodies, stainless steel shafts and premium oil-resistant impeller
- ◆ Self priming up to 3m – 9.8 ft
- ◆ Reversible flow by simply changing the polarity
- ◆ Small bilge debris present no problems
- ◆ Flexible impeller pumps must not be permitted to run dry for more than 30 seconds
- ◆ Keep your FIP pumps running optimally by inspecting the nitrile impeller before each season and, if necessary, replace with Albin Pump Marine replacement impeller part number **ALB0601009** for APM FIP DC pumps
- ◆ CE marked 94/25/ECC, ISO8846 Small Craft, Electromagnetic compatibility 89/336/EEC, EN51014 1993/radio disturbance



| Model | Voltage | Fuse Size | Capacity | Dimensions mm | Weight | Connections 2 Ports Barb/Thread | Replaces | Unit | No |
|---------------|---------|-----------|-----------------------|----------------|--------|---------------------------------------|--|------|-------------------|
| FIP F2 | 12V | 8A | 30 L/min (8 GPM) | 160 x 120 x 90 | 0.6kg | 19mm | Johnson Pump 10-24886-01 Jabsco 23670-4003 | Each | ALB0401001 |
| FIP F2 | 24V | 4A | 30 L/min (8 GPM) | 160 x 120 x 90 | 0.6kg | 19mm | Johnson Pump 10-24886-02 Jabsco 23671-4103 | Each | ALB0401002 |
| FIP F3 | 12V | 8A | 35 L/min (9.3 GPM) | 160 x 120 x 90 | 0.8kg | 19mm/1/2" BSP | Johnson Pump 10-24516-01 Jabsco 23680-4003 | Each | ALB0401003 |
| FIP F3 | 24V | 4A | 35 L/min (9.3 GPM) | 160 x 120 x 90 | 0.8kg | 19mm/1/2" BSP | Johnson Pump 10-24516-02 Jabsco 23680-4103 | Each | ALB0401004 |
| FIP F4 | 12V | 12.5A | 45 L/min (12 GPM) | 180 x 120 x 90 | 1.0kg | 19mm/1/2" BSP | Johnson Pump 10-24689-01 Jabsco 23610-3003 | Each | ALB0401005 |
| FIP F4 | 24V | 6A | 45 L/min (12 GPM) | 180 x 120 x 90 | 1.0kg | 19 mm /1/2" BSP | Johnson Pump 10-24689-02 Jabsco 23610-3103 | Each | ALB0401006 |

Ballast Pump F4

Albin Pump Marine's DC Ballast Pumps FIP F4 have reversible flow direction and are self-priming – making them ideal for fast ballast pumping for wake boarding and other water sports.

- ◆ Reversible, ideal for ballast pumping of water between tanks, refuelling and dockside services
- ◆ Protected against ignition of surrounding flammable gases ISO 88461-1 ignition protection
- ◆ ISO 10133 design, construction and installation of DC systems in small craft (under approval)
- ◆ Self priming up to 5m – 16.4 ft
- ◆ Pump body in brass, stainless steel shaft, ballast polyurethane impeller and PTFE mechanical seal
- ◆ Keep your FIP pumps running optimally by inspecting the polyurethane impeller before each season and, if necessary, replace with Albin Pump Marine replacement impeller part number **ALB0604036**
- ◆ CE marked 94/25/ECC, ISO8846 Small Craft, Electromagnetic compatibility 89/336/EEC, EN51014 1993/radio disturbance



ALB0404013



ALB0404014

| Voltage | Fuse Size | Capacity | Dimensions mm | Weight | Connections 2 Ports Barb/Thread | Replaces | Unit | No |
|---------|------------------------------------|----------------------|----------------|--------|---------------------------------------|--|------|-------------------|
| 12V | 16A (25A with reversing switch) | 45 L/min (12 GPM) | 180 x 120 x 90 | 0.8kg | 19mm/1/2" BSP | Johnson Pump 10-24689-01 Jabsco 23610-3003 | Each | ALB0404013 |
| 24V | 15A (25A with reversing switch) | 45 L/min (12 GPM) | 180 x 120 x 90 | 0.8kg | 19mm/1/2" BSP | Johnson Pump 10-24689-02 Jabsco 23610-3103 | Each | ALB0404014 |

Ballast Pump Impeller

- ◆ For pumps **ALB0404013** & **ALB0404014**



ALB0604036

Gear Pumps

Light and compact DC gear pump suitable for transfer of oil, diesel, antifreeze, water and other viscous liquids.

- ◆ Self-priming and can run dry
- ◆ Designed to be interchangeable with same type pumps from competitor brands
- ◆ Rated for continuous duty
- ◆ CE marked 94/25/ECC, ISO8846 Small Craft, Electromagnetic compatibility 89/336/EEC, EN51014 1993/radio disturbance



ALB0402007

| Voltage | Fuse Size | Capacity | Dimensions mm | Weight | Connections 2 x Barb | Unit | No |
|---------|-----------|---|---------------|--------|----------------------|------|-------------------|
| 12V | 6A | 12 L/min (3.2 GPH) at engine oil temp 40° C / 105° F | 140 x 90 x 80 | 0.4kg | 13 mm (3/8") | Each | ALB0402007 |
| 24V | 3A | 12 L/min (3.2 GPH) at engine oil temp 40° C / 105° F | 140 x 90 x 00 | 0.4kg | 13 mm (3/8") | Each | ALB0402008 |

Gear Pump Oil Change Kit

Light and compact DC gear pump particularly suitable for oil change or removal/change of other viscous liquids in tight spaces.

- ◆ Hose set (6mm and 8mm), hose connection, wires 1.8m (6 ft), fuse and battery clamps included
- ◆ Self-priming
- ◆ Reversible for both filling and emptying
- ◆ Rated for continuous duty
- ◆ Can be run dry
- ◆ Pump body in PTFE
- ◆ CE marked 94/25/ECC, ISO8846 Small Craft, Electromagnetic compatibility 89/336/EEC, EN51014 1993/radio disturbance



ALB0403009/ALB0403010



ALB0466015

| Voltage | Fuse Size | Capacity | Dimensions mm | Connections 2 x Barb | Unit | No |
|---------|-----------|---|---------------|----------------------|------|-------------------|
| 12V | 6A | 12 L/min (3.2 GPH) at engine oil temp 40° C / 105° F | 140 x 90 x 80 | 13 mm (3/8") | Each | ALB0403009 |
| 24V | 3A | 12 L/min (3.2 GPH) at engine oil temp 40° C / 105° F | 140 x 90 x 80 | 13 mm (3/8") | Each | ALB0403010 |

| Description | Connections | Unit | No |
|---|-------------|------|-------------------|
| Oil Change Hose Kit - suitable for FIP and Gear Pumps, oil change or any other pump in/out purpose. | 6mm & 8mm | Each | ALB0466015 |

Pedestal Electro-Magnetic Clutch Pumps

- ◆ Electro magnetic clutch pumps allow you to switch on and off at the flick of a switch
- ◆ Primarily designed to save engine power and therefore improve fuel economy, these pumps also minimise wear and dry running
- ◆ The drive is switched in and out by a magnetic coil which when energised connects the pulley drive to the pump shaft



ALB0502030



ALB0502031

| Description | Replacement Impeller | Replaces: | No |
|-------------------------------------|----------------------|------------------------------------|-------------------|
| 1 1/2" impeller pump without clutch | ALB0602028 | Johnson Pump 10-13022-99, F8B-5001 | ALB0502030 |
| 2" impeller pump without clutch | ALB0602031 | Johnson Pump 10-13027-99, F9B-5600 | ALB0502031 |

Crank Shaft Engine Cooling Pump

Albin Pump Marine flexible impeller pumps are designed to handle most commercial and pleasure boats needs for raw water applications. The self-priming ability makes FIP pumps the right choice for engine cooling, bilge pumping and deck wash. The pumps have a long life due to the heavy duty design and ensure correct cooling flow with Albin Pump Marine premium impellers.

- ◆ Converts pulley driven to crank shaft mount for Ford or GM V6/V8 marine engine blocks, PCM, Crusader, Mercruiser and more



| Description | Replacement Impeller | Replaces: | No |
|---------------------------------|----------------------|--|-------------------|
| Crank Shaft Engine Cooling Pump | ALB0601014 | F6B-9 Johnson 10-24930-01 Johnson 10-24915-01 Johnson 10-24805-01 Johnson 10-24232-01 Indmar 685001 | ALB0501046 |

Electro Magnetic Clutches for Pumps

- ◆ Electro magnetic clutches allow you to switch on and off continuous belt driven pumps at the flick of a switch
- ◆ Primarily designed to save engine power and therefore improve fuel economy, these clutches also minimise pump wear and dry running
- ◆ Designed to be used with Albin Pump Marine self priming flexible impeller pumps, they can be controlled remotely by a switch at the wheelhouse, or operated automatically by a bilge switch - float or field sensing
- ◆ The drive is switched in and out by a magnetic coil which when energised connects the pulley drive to the pump shaft



ALB0559032



ALB0559033



ALB0559034



ALB0559035



ALB0559036



ALB0559037

| Description | Voltage | Pulley | No |
|---|---------|-----------------|-------------------|
| El-Magnetic Clutch | 12V | 2 x A 7" Pulley | ALB0559032 |
| El-Magnetic Clutch | 24V | 2 x A 7" Pulley | ALB0559033 |
| El-Magnetic Clutch | 12V | 1 x B 7" Pulley | ALB0559034 |
| El-Magnetic Clutch | 24V | 1 x B 7" Pulley | ALB0559035 |
| Replacement Coil for El-Magnetic Clutches | 12V | - | ALB0559036 |
| Replacement Coil for El-Magnetic Clutches | 24V | - | ALB0559037 |

Vacuum Valves

Correctly installed, a vacuum valve is a low cost insurance against water intrusion in the motor caused by siphoning effects in the exhaust pipe. Water intrusion in your motor can cause serious damage.

- ◆ Albin offers a range of vacuum valves with different hose connections
- ◆ Acts as siphon breaker to prevent water intrusion through a sea water intake with severe damage as a result
- ◆ Installed above water line between heat exchanger and the exhaust hose
- ◆ Non corrosive, proven design made of tough thermoplastic with rubber valve
- ◆ Easy to install



ALB0569033



ALB0569034



ALB0569035



ALB0569036



ALB0569037



ALB0599038

| Valve Hose Connection Size | Replaces: | No |
|------------------------------|--|-------------------|
| 12mm 1/2" | Johnson Pump 09-47316-01 | ALB0569033 |
| 16mm 5/8" | Volvo Penta 21662701 (replaces old 827952, 828271, 828537, 833685, 833687, 838154, 838207) Johnson Pump 09-47316-02 | ALB0569034 |
| 19mm 3/4" | Volvo Penta 21662702 (replaces old 861497) Johnson Pump 09-47316-03 | ALB0569035 |
| 22mm 7/8" | Volvo Penta 21662703 Johnson Pump 09-47316-04 | ALB0569036 |
| 25mm 1" | Volvo Penta 21662704 (replaces old 3583738, 3843297) Johnson Pump 09-47316-05 | ALB0569037 |
| Service kit for vacuum valve | Includes rubber valve and screw cap* | ALB0599038 |

* Same valve and screw cap for all sizes

Volvo Penta Engine Cooling Pumps

Albin Pump Marine flexible impeller pumps are designed to handle most commercial and pleasure boats needs for raw water applications.

- ◆ The self-priming ability makes FIP pumps the right choice for engine cooling, bilge pumping and deck wash
- ◆ The pumps have a long life due to the heavy duty design and ensure correct cooling flow with Albin Pump Marine Premium Impellers
- ◆ Manufactured in Albin Pump Marine's ISO9001 quality accredited facility



| Interchangeable with: | Replacement Impeller | Engine Models | No |
|--|----------------------|--|-------------------|
| VOLVO 3583115 (Old, 3581558, 860629) JOHNSON 10-24524-01 (VP 338115)10-24394-01 (VP 860629) | ALB0601021 | AD31/41/43, TAMD31/41/42, KAD32/42/44, KAMD42/43/44 (3583115/3581558), AD31/41, MD31, TMD31/41, TAMD31/41/42, KAD32/42/43/44, KAMD42/43/44(860629) | ALB0501001 |



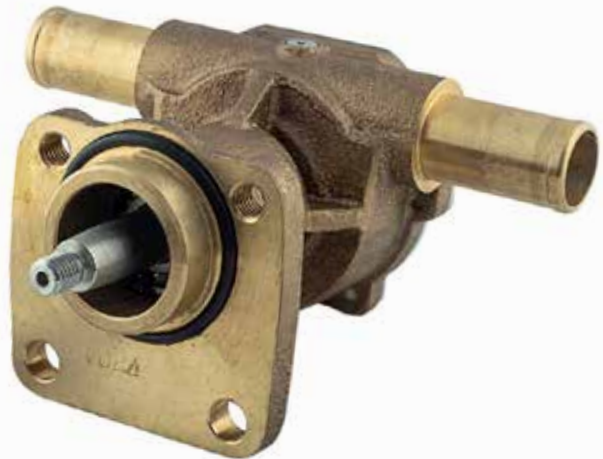
| Interchangeable with: | Replacement Impeller | Engine Models | No |
|---|----------------------|--|-------------------|
| VOLVO 3829311 (Old, 846354) JOHNSON 10-21915 | ALB0602028 | MD 100/100A/120/120A, TMD 100/100A/120/120A121C/122A, TAMD 120/120A/121C/122A/122P | ALB0501002 |



| Interchangeable with: | Replacement Impeller | Engine Models | No |
|---|----------------------|--|-------------------|
| VOLVO 3583112 (Old, 845189), 3829313 (Old, 866396) JABSCO 10590-0041 | ALB0602031 | 3829312-TAMD 102A/122A/120B/122C/122D, 3829313-TAMD 102A/102D/103A/122P | ALB0501003 |



| Interchangeable with: | Replacement Impeller | Engine Models | No |
|---|----------------------|--|-------------------|
| VOLVO 3887935 (Old, 3825493) JOHNSON 10-13166-01 | ALB0602031 | TAMD 162A/162B/162C, 163A/163P, 65A/165C/165P | ALB0501004 |



| Interchangeable with: | Replacement Impeller | Engine Models | No |
|--|----------------------|-----------------------|-------------------|
| VOLVO 3593654 (Old 21951344), JOHNSON 10-24751-01 | ALB0601006 | 1-13A/B/F, D1-20A/B/F | ALB0501005 |

Volvo Penta Engine Cooling Pumps



| Interchangeable with: | Replacement Impeller | Engine Models | No |
|---|----------------------|------------------------|-------------------|
| VOLVO 3593655 (Old 21951344) JOHNSON 10-24752-01 | ALB0601006 | D1-30A/B/F, D2-40A/B/F | ALB0501006 |



| Interchangeable with: | Replacement Impeller | Engine Models | No |
|--|----------------------|--------------------------------|-------------------|
| VOLVO 3583089 (Old 3862281) JOHNSON N/A | ALB0601012 | D2-55A/B/C/D/E/F, D2-75A/B/C/F | ALB0501007 |



| Interchangeable with: | Replacement Impeller | Engine Models | No |
|--|----------------------|--|-------------------|
| VOLVO 21141637 (Old 21381693) JOHNSON N/A | ALB0601014 | D3-110I, D3-130A/I, D3-160A/I, D3-190A/I | ALB0501008 |



| Interchangeable with: | Replacement Impeller | Engine Models | No |
|--|----------------------|--|-------------------|
| VOLVO 21379102 (Old 21381693) JOHNSON N/A | ALB0601014 | D3-110I-G, D3-140A/I, D3-150I-G, D3-170A/I-G, D3-200A/I-G, D3-220A/I-G | ALB0501009 |



| Interchangeable with: | Replacement Impeller | Engine Models | No |
|------------------------------------|----------------------|--------------------|-------------------|
| VOLVO 3584062 JABSCO 50384-8000 | ALB0602023 | D4-210/225/260/300 | ALB0501010 |



| Interchangeable with: | Replacement Impeller | Engine Models | No |
|---|----------------------|---|-------------------|
| VOLVO 21419374 (Old 21422647), JOHNSON N/A | ALB0601021 | D4-225A-E, D4-260A-E, D4-260D-E, D4-300A-E, D4-300D-E | ALB0501011 |

Volvo Penta Engine Cooling Pumps



| Interchangeable with: | Replacement Impeller | Engine Models | No |
|---|----------------------|---|-------------------|
| VOLVO 21380890 (Old 3589907) JABSCO 50394-8300 | ALB0602024 | D6-280A, D6-310A, D6-310D, D6-330A, D6-330D, D6-350A, D6-370A, D6-370D, D6-435D | ALB0501012 |



| Interchangeable with: | Replacement Impeller | Engine Models | No |
|--|----------------------|--|-------------------|
| VOLVO 21419376 (Old 22000061, 21951358) JOHNSON N/A | ALB0601020 | D6-280A, D6-310A, D6-310D, D6-330A, D6-330D, D6-370A, D6-370D, D6-435D | ALB0501013 |



| Interchangeable with: | Replacement Impeller | Engine Models | No |
|--|----------------------|--|-------------------|
| VOLVO 3838288 (Old 2142264) JOHNSON 10-24580-01 | ALB0601021 | D5A-A T/TA, D7A-A T/TA, D7C-A TA, D7A-B TA, D7C-B TA | ALB0501014 |





| Interchangeable with: | Replacement Impeller | Engine Models | No |
|------------------------------|----------------------|---|-------------------|
| VOLVO 21380886 JABSCO N/A | ALB060204 | D9A2A D9-425, D9-500, D9-500 (R4), D9-575, D9A2B, D9-425, D9-500 (R5), D9A2A D9A-MH, D9A2B D9-575, D9A2A MH, D9A2B MH, D9A2C, D9A-MH, D9-425, D9A2D, D9-500 (R5), D9A2E D9-425, D9A2F D9-575, D9A2A, MP, D9A2B MP, D9A2C, D9A2D, D9A2E, D9A2F, D9A2G, D9A2H, D9A2J, D9A-J, D9A-K, D9A2K, D9A2K, D9-575, D11A-A, D11A-B, D11A-C, D11A-D, D11A-C (IPS), 11AD, (IPS), D11A-E, D11A-E (IPS) | ALB0501015 |



| Interchangeable with: | Replacement Impeller | Engine Models | No |
|--|----------------------|--|-------------------|
| VOLVO 21219723 (Old 3819485) JABSCO N/A | ALB060207 | D11A-A, D11A-B, D11A-C, D11A-D, D11A-C (IPS), D11A-D (IPS), D11A-E, D11A-E (IPS), D11B1-A MP, D11B2-A MP (IPS), D11B1-A MP, D11B2-A MP (IPS) | ALB0501016 |



| Interchangeable with: | Replacement Impeller | Engine Models | No |
|--|----------------------|------------------------------|-------------------|
| VOLVO 22063494 (Old 3819485) JABSCO N/A | ALB060204 | D11B1-A MP, D11B2-A MP (IPS) | ALB0501017 |

Volvo Penta Engine Cooling Pumps



| Interchangeable with: | Replacement Impeller | Engine Models | No |
|------------------------------|-----------------------------|----------------------|-------------------|
| VOLVO 3838207 JABSCO N/A | ALB0602032 | D12C/D | ALB0501018 |



| Interchangeable with: | Replacement Impeller | Engine Models | No |
|------------------------------|-----------------------------|----------------------|-------------------|
| VOLVO 3886848 JABSCO N/A | ALB0602032 | D12C/D | ALB0501019 |



| Interchangeable with: | Replacement Impeller | Engine Models | No |
|------------------------------|-----------------------------|---------------------------------|-------------------|
| VOLVO 3589104 JABSCO N/A | ALB0602032 | D16C-A MH, D16C-B MH, D16C-C MH | ALB0501020 |



| Pulley Type | Replacement Impeller | Engine Models | Replaces: | No |
|-------------------|----------------------|------------------------------------|-----------------------------|-------------------|
| V belt - 2 groove | ALB0601037 | 4.3/ 5.0/ 5.7/ 4.3GL, 5.0GL, 5.7GL | Volvo 21214596, old 3862487 | ALB0501040 |

| Pulley Type | Replacement Impeller | Engine Models | Replaces: | No |
|-----------------------------------|----------------------|----------------|--------------------------------------|-------------------|
| Serpentine Belt Pulley - 1 groove | ALB0601037 | 4.3/ 5.0/ 5.7L | Volvo 21214599, old 3858230, 3812698 | ALB0501041 |



| Pulley Type | Replacement Impeller | Engine Models | Replaces: | No |
|--|----------------------|---------------|---|-------------------|
| Beltless pulley, crankshaft mounted pump | ALB0601037 | 8.1L, V8 | Volvo 21214601, old 3860795, 3862484, 3812695 | ALB0501042 |

| Pulley Type | Replacement Impeller | Engine Models | Replaces: | No |
|-----------------------------------|----------------------|--|----------------|-------------------|
| Serpentine Belt Pulley - 1 groove | ALB0601014 | 4.3/ 5.0GL, 4.3/ 5.0/ 5.7GXi, 5.7Gi, V6-200/225, V8-225/270/ 300/350 | Volvo 21212799 | ALB0501043 |



| Pulley Type | Replacement Impeller | Engine Models | Replaces: | No |
|--|----------------------|---------------|----------------|-------------------|
| Beltless pulley, crankshaft mounted pump | ALB0601014 | 8.1Gi, 8.1IPS | Volvo 21212800 | ALB0501044 |

| Pulley Type | Replacement Impeller | Engine Models | Replaces: | No |
|-------------------|----------------------|-------------------------------|----------------|-------------------|
| V belt - 2 groove | ALB0601037 | 4.3/ 5.0GL, 5.0GL-F, 5.0GL-FF | Volvo 21255090 | ALB0501045 |

Yanmar Seawater Pump



| Replacement Impeller | For Engine Models: | Replaces Pump: | Weight | No |
|----------------------|---|------------------------------------|--------|-------------------|
| ALB0601020 | 6LY3-ETP, 6LY3-STP, 6LY3-UTP, 6LY3-STC, 6LY3-UTC, 6LY3-ETP 24, 6LY3-STP 24, 6LY3-UTP 24, 6LY3-STC 24, 6LY3-UTC 24 | YM 119578-42501 (Imp 119578-42550) | 5.2kg | ALB0501021 |



| Replacement Impeller | For Engine Models: | Replaces Pump: | Weight | No |
|----------------------|--|------------------------------------|--------|-------------------|
| ALB0601020 | 6LY2 SERIES (6LY2-ST, 6LY2-STVY, 6LY2-WST, 6LY2-WDT, 6LY2-WDTZY, 6LY2M-WDT, 6LY2M-WST, 6LYA-STP, 6LYA-STE, 6LYA-UTE, 6LY2-STE, 6LY2A-STP, 6LY2A-UTP) | YM 119574-42502 (Imp 119574-42550) | 5.3kg | ALB0501022 |

Yanmar Seawater Pump - gear included



| Replacement Impeller | For Engine Models: | Replaces Pump: | Weight | No |
|----------------------|---|--|--------|-------------------|
| ALB0601014 | 6LP(A)-DTE(P), 6LP(A)-STE(P), 6LPA-STP2 | YM 119773-42502 (Gear included, Imp 119773-42600) | 5.4kg | ALB0501023 |



| Replacement Impeller | For Engine Models: | Replaces Pump: | Weight | No |
|----------------------|---|-----------------------------|--------|-------------------|
| ALB0601014 | 6LP(A)-DTZE(P), 6LP(A)-STZE(P), 6LPASTZP2/3 | ALB0601014 (YM119773-42600) | 2.14kg | ALB0501024 |

Yanmar Seawater Pump - gear included



| Replacement Impeller | For Engine Models: | Replaces Pump: | Weight | No |
|----------------------|---|---|--------|-------------------|
| ALB0601012 | 4JH3-THE, 4JH3-DTE, 4JH3E, 4JH3CE, 4JH3CE1, 4JH3-TE, 4JH3-TCE, 3JH3E, 3JH3E(EPA), 3JH3CE, 4JH3-TE-YEU, 4JH3-DTE(YEU), 3JH3E-YEU-E, 4JH4-TE, 4JH4-THE, 4JH4-HTE1 | YM 129670-42513 (Gear included, Imp 129670-42530). Replaces 129670-42500, 129670-42501, 129670-42510, 129670-42511, 129670-42512 | 1.9kg | ALB0501025 |



| Replacement Impeller | For Engine Models: | Replaces Pump: | Weight | No |
|----------------------|---|---|--------|-------------------|
| ALB0601012 | 4JH5E, 3JH4E, 4JH4E, 4JH4AE, 3JH5E, 4JH45, 4JH57, 4JH80, 4JH110)3JH5E | YM 129271-42502 (Gear included, Imp 129670-42531) | 1.9kg | ALB0501026 |

Yanmar Seawater Pump



Replacement Impeller

For Engine Models:

Replaces Pump:

Weight

No

ALB0601005

2GMF, 3GMF, 2YM, 3YM

YM 128397-42500, 128990-42500 (Imp 128397-42200)
Johnson 10-24509-01, 10-13337, (Imp 09-810B-1)

1.5kg

ALB0501027



Replacement Impeller

For Engine Models:

Replaces Pump:

Weight

No

ALB0601005

2GM, 3GM

YM 128377-42500 (Imp 128397-42200)
Johnson 10-24509-02 (Imp 09-810B-1)

1.2kg

ALB0501029

Scania Seawater Pump



| Replacement Impeller | For Engine Models: | Replaces Pump: | Weight | No |
|----------------------|-----------------------------|---|--------|-------------------|
| ALB0602031 | D9, DI12, DI13, DI16 SERIES | YM 128377-42500 (Imp 128397-42200) Johnson 10-24509-02 (Imp 09-810B-1) | 7.2kg | ALB0501028 |

Impeller Removal Tool

Invaluable tool for the extraction of any size worn-out impeller. Quick and efficient removal, even in cramped and dimly lit engine rooms. Simple 'corkscrew' style wind out operation.



| Description | Application: | For Engine Models: | No |
|------------------------------------|---|--------------------|-------------------|
| "Out-Peller" Impeller removal tool | For most common impeller sizes - very durable design which ensures simple removal of impeller | Universal | ALB0603035 |

Impeller Insertion Kit

A complete impeller insertion kit for most common impeller sizes. Kit contains 5 different insertion tools with diameters 40mm, 51mm, 57mm, 65mm and 95mm. Makes fitting the impeller in the pump body very easy, especially in tight spaces by using only one hand. A must for any professional engine mechanic.

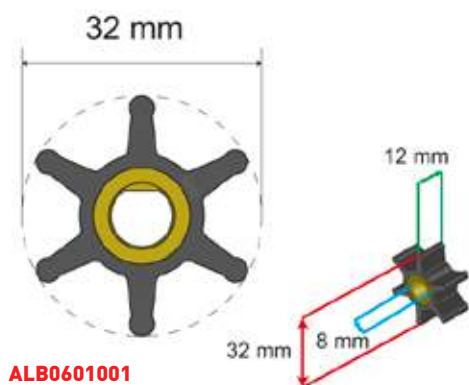


| Description | Application: | For Engine Models: | No |
|----------------------|-------------------------------|--------------------|-------------------|
| "In-Peller" Tool Kit | For all common impeller sizes | Universal | ALB0603036 |

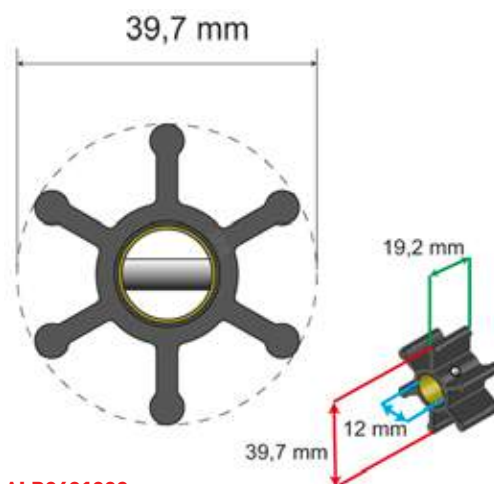
Premium Impeller Kits

A wide range of suitable replacement impellers for most engine cooling pumps and other FIP applications. The Albin Pump Marine impellers are some of the best impellers in the world.

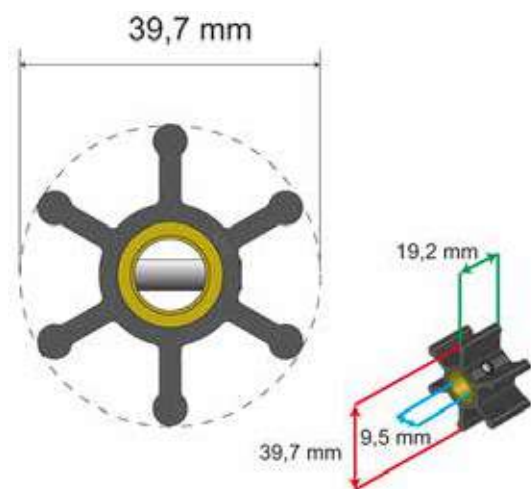
- ◆ ISO 9001 quality guaranteed



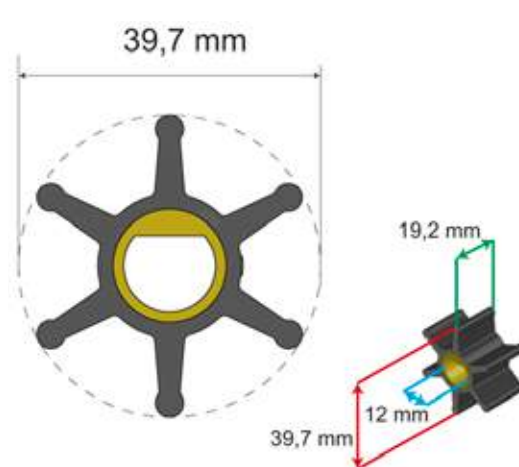
ALB0601001



ALB0601002



ALB0601003

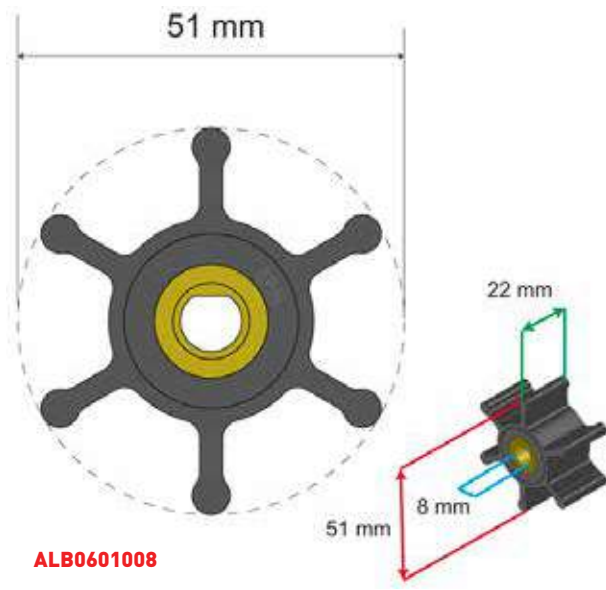
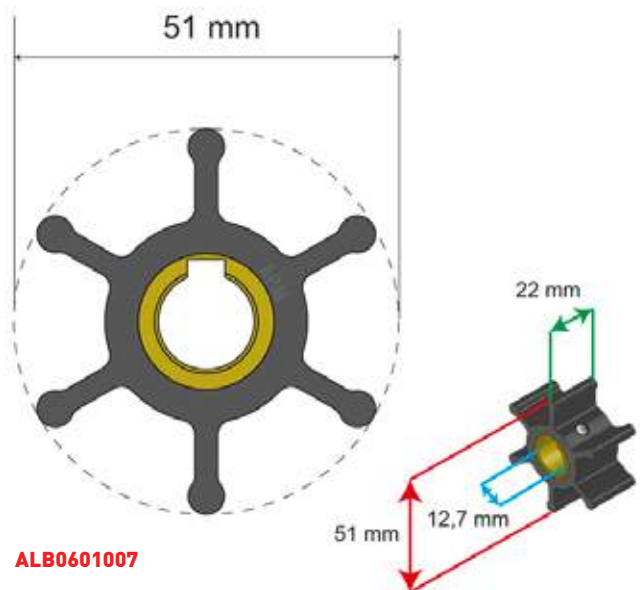
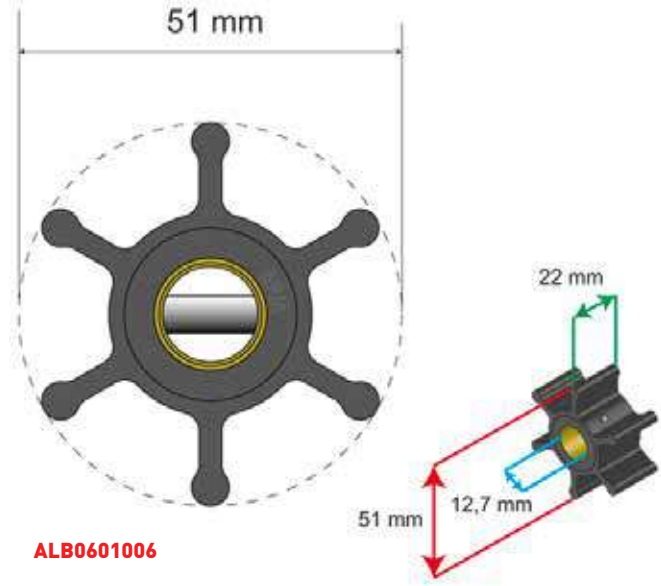
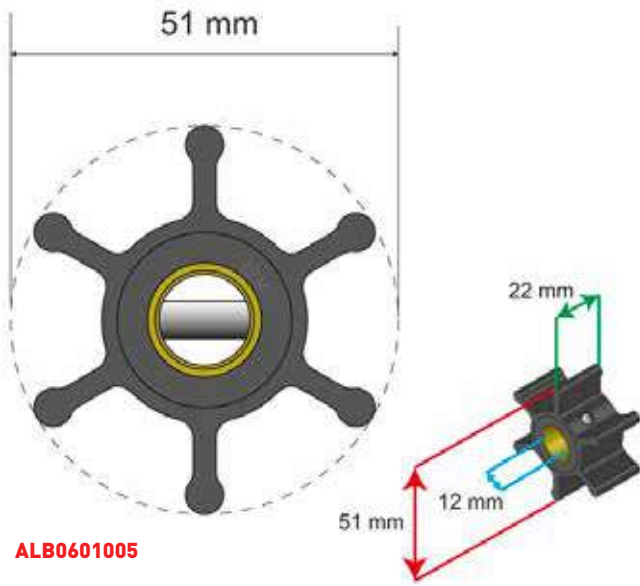


ALB0601004

| Replaces Johnson: | Replaces Jabsco: | Replaces Sherwood: | Replaces JMP: | Replaces Yanmar: | Replaces Volvo Penta: | Weight: kg | Dimensions: DiaØ x Depth x Hole DiaØ mm: | Type: | No: |
|-------------------|------------------|--------------------|---------------|------------------|-----------------------|------------|--|--------------------------------------|-------------------|
| - | 1414-001 | - | 6000-01 | 124170-42070 | - | 0.02kg | 32 x 8 x 12 | Copolymer Neoprene Original MC Blend | ALB0601001 |
| 09-808B-1 | 22405-001 | - | 7000-01 | - | 875583 | 0.028kg | 39.7 x 12 x 19.2 | Copolymer Neoprene Original MC Blend | ALB0601002 |
| 09-806B-1 | 4528-0001 | 9979K | 7000-01 | 104211-42070 | 803729 | 0.042kg | 39.7 x 9.5 x 19.2 | Copolymer Neoprene Original MC Blend | ALB0601003 |
| - | - | 08000K | 7013-01 | - | - | 0.028kg | 39.7 x 12 x 19.2 | Copolymer Neoprene Original MC Blend | ALB0601004 |

**1:1
Scale**

**Diagrams shown as actual size:
Place your impeller over the selected
image to confirm exact match**

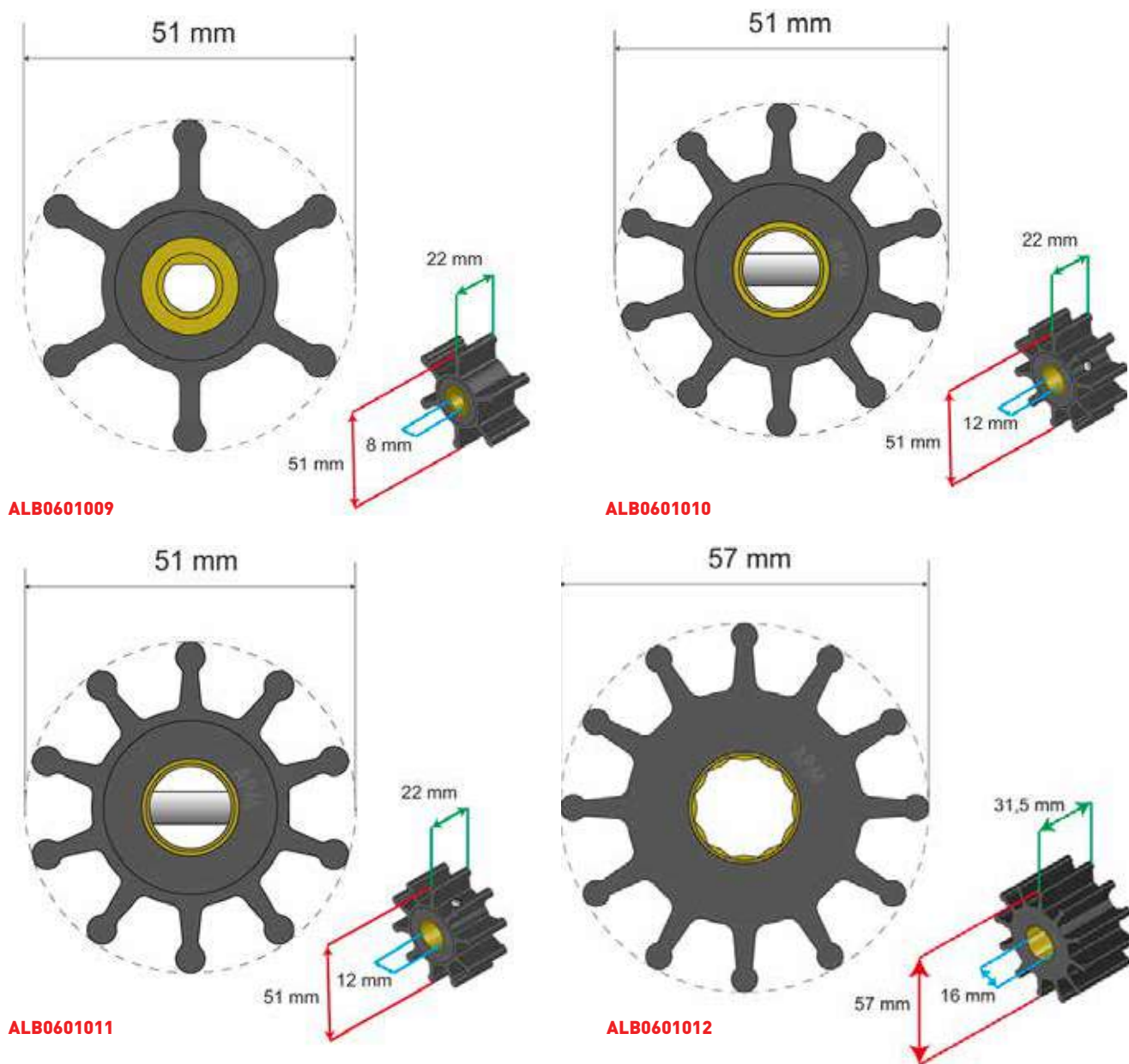


| Replaces Johnson: | Replaces Jabsco: | Replaces Sherwood: | Replaces JMP: | Replaces Yanmar: | Replaces Volvo Penta: | Weight: kg | Dimensions mm: | Type: | No: |
|-------------------|------------------|--------------------|---------------|------------------|-----------------------|------------|----------------|--------------------------------------|-------------------|
| 09-810B-1 | 653-0001 | - | 7050-01 | - | - | 0.055kg | 51 x 12 x 22 | Copolymer Neoprene Original MC Blend | ALB0601005 |
| 09-1026B-1 | 673-0001 | - | 7051-01 | - | 3593659 | 0.052kg | 51 x 12.7 x 22 | Copolymer Neoprene Original MC Blend | ALB0601006 |
| - | 22799-0001 | - | 7052-01 | 124223-42091 | - | 0.055kg | 51 x 12.7 x 22 | Copolymer Neoprene Original MC Blend | ALB0601007 |
| 09-824P-1 | 6303-0001 | - | 7053-01 | - | - | 0.055kg | 51 x 8 x 22 | Copolymer Neoprene Original MC Blend | ALB0601008 |

Premium Impeller Kits

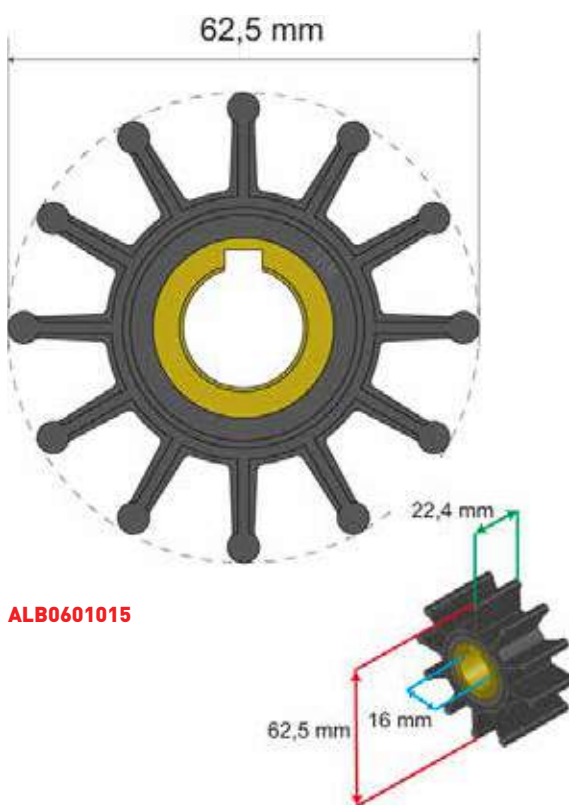
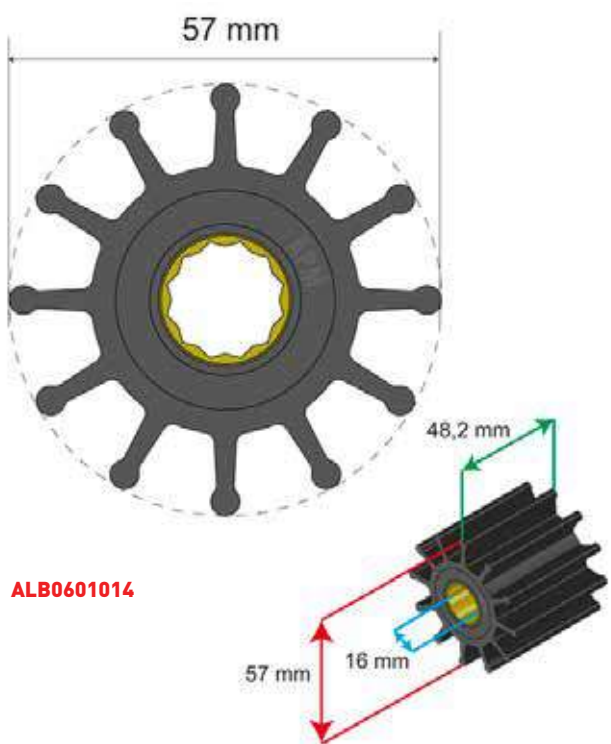
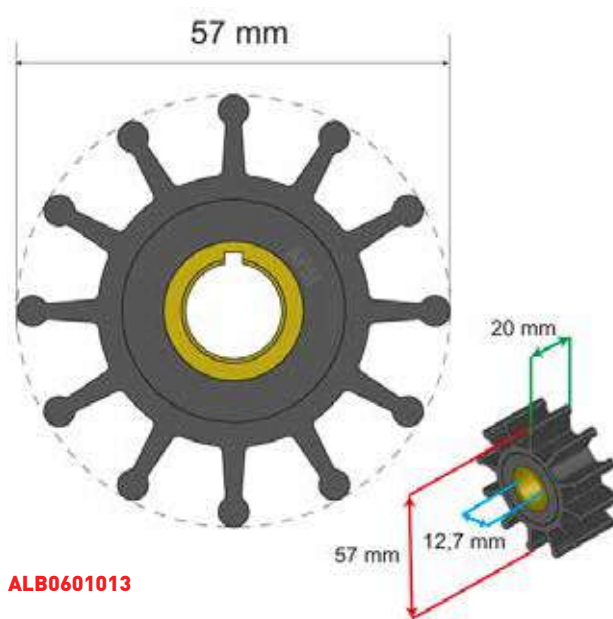
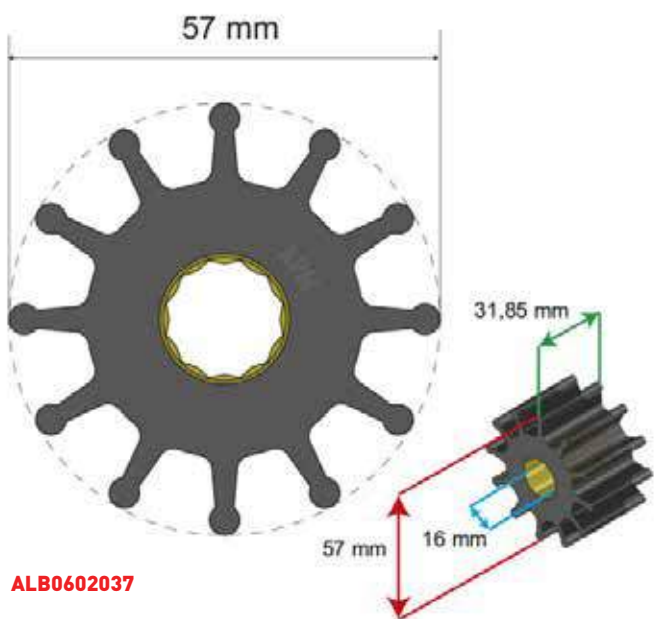
A wide range of suitable replacement impellers for most engine cooling pumps and other FIP applications. The Albin Pump Marine impellers are some of the best impellers in the world.

- ◆ ISO 9001 quality guaranteed



| Replaces Johnson: | Replaces Jabsco: | Replaces Sherwood: | Replaces JMP: | Replaces Yanmar: | Replaces Volvo Penta: | Weight: kg | Dimensions: DiaØ x Depth x Hole DiaØ mm: | Type: | No: |
|-------------------|------------------|--------------------|---------------|------------------|-----------------------|------------|--|---------------------------------------|-------------------|
| 09-824P-9 | 6303-0003 | - | 7053-02 | - | - | 0.055 | 51 x 8 x 22 | Copolymer Neoprene Original MC Blend* | ALB0601009 |
| - | 18653-0001 | - | 7070-01 | - | - | 0.071 | 51 x 12x 22 | Copolymer Neoprene Original MC Blend | ALB0601010 |
| - | 18673-0001 | - | 7071-01 | - | - | 0.071 | 51 x 12.7 x 22 | Copolymer Neoprene Original MC Blend | ALB0601011 |
| 09-1027B-1 | 1210-0001 | - | 7100-01 | 129470-42530 | 825940 | 0.112 | 57 x 16 x 31.5 | Copolymer Neoprene Original MC Blend | ALB0601012 |

*Johnson Pump 09-824P-9 oil resistant Nitrile impeller



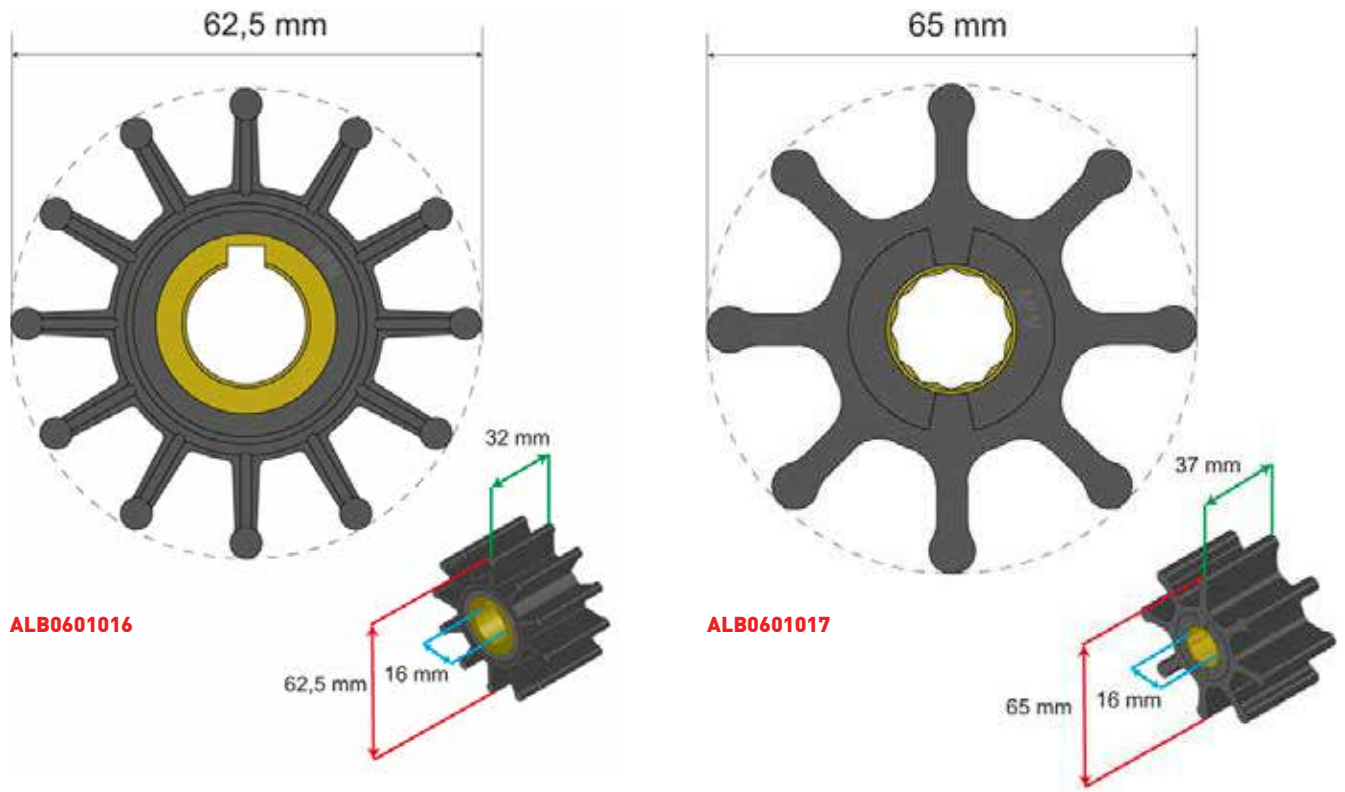
| Replaces Johnson: | Replaces Jabsco: | Replaces Sherwood: | Replaces JMP: | Replaces Yanmar: | Replaces Volvo Penta: | Weight: kg | Dimensions: DiaØ x Depth x Hole DiaØ mm: | Type: | No: |
|---------------------------|------------------|--------------------|---------------|------------------|-----------------------|------------|--|--------------------------------------|--------------------|
| 09-1027B-10 | - | - | - | - | 21213650 | 0.09 | 57 x 16 x 31.85 | Copolymer Neoprene Original MC Blend | ALB0601037* |
| - | - | 10077K | 7110-01 | - | - | 0.085 | 57 x 12.7 x 20 | Copolymer Neoprene Original MC Blend | ALB0601013 |
| 09-812B-1 (09-812BT-1) | 13554-0001 | - | 7136-01 | - | 3588914 | 0.119 | 57 x 16 x 48.2 | Copolymer Neoprene Original MC Blend | ALB0601014 |
| - | - | 09000K | 7172-01 | - | - | 0.119 | 62.5x 16 x 22.4 | Copolymer Neoprene Original MC Blend | ALB0601015 |

*A wider version of **ALB0601012**. 0.35mm wider with total width of 31.85mm for optimal performance of pump **ALB0501040**, **ALB0501041** & **ALB0501042**

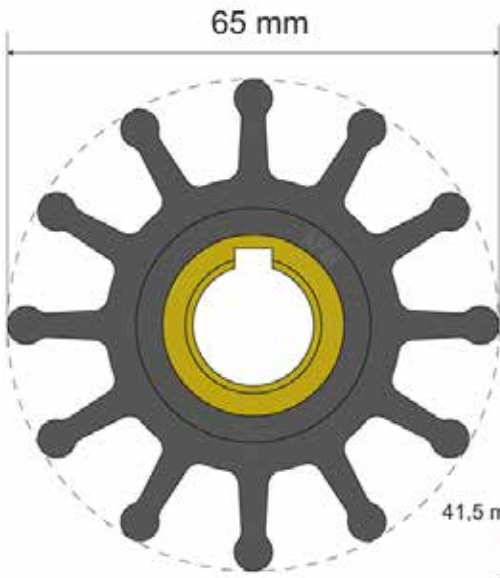
Premium Impeller Kits

A wide range of suitable replacement impellers for most engine cooling pumps and other FIP applications. The Albin Pump Marine impellers are some of the best impellers in the world.

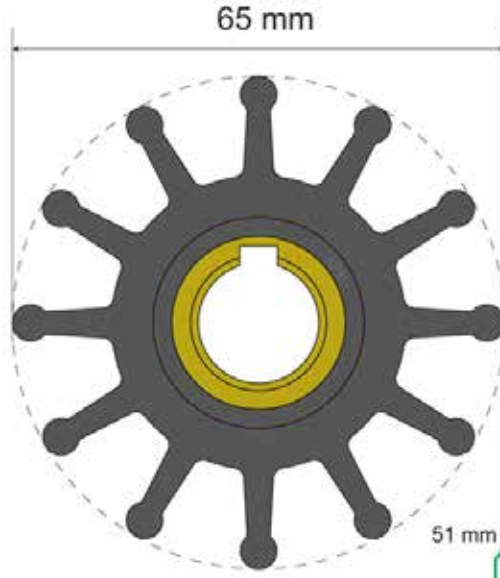
- ◆ ISO 9001 quality guaranteed



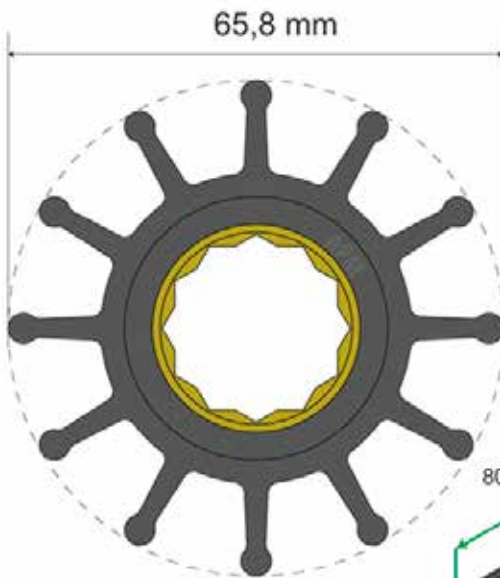
| Replaces Johnson: | Replaces Jabsco: | Replaces Sherwood: | Replaces JMP: | Replaces Yanmar: | Replaces Volvo Penta: | Weight: kg | Dimensions: DiaØ x Depth x Hole DiaØ mm: | Type: | No: |
|-------------------|------------------|--------------------|---------------|------------------|-----------------------|------------|--|--------------------------------------|-------------------|
| 09-701B-1 | 18838-0001 | 9959K | 7192-01 | - | - | 0.163 | 62.5 x 16 x 32 | Copolymer Neoprene Original MC Blend | ALB0601016 |
| - | 11979-0001 | - | 7200-01 | 122610-42021 | - | 0.128 | 65 x 16 x 37 | Copolymer Neoprene Original MC Blend | ALB0601017 |



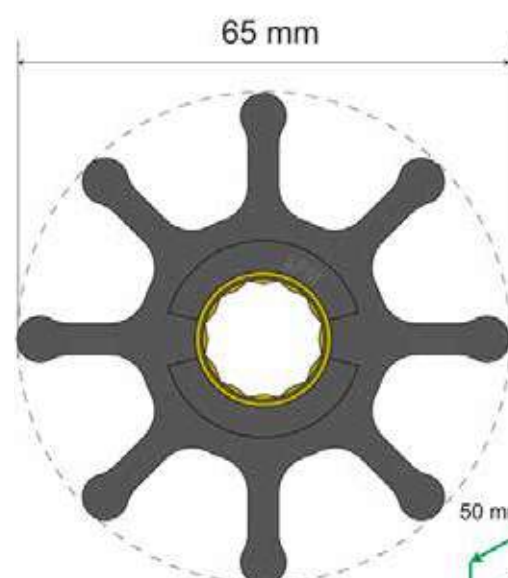
ALB0601018



ALB0601019



ALB0601020



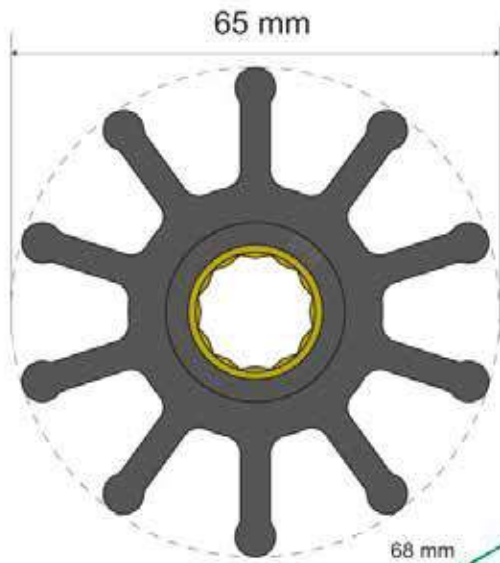
ALB0601021

| Replaces Johnson: | Replaces Jabsco: | Replaces Sherwood: | Replaces JMP: | Replaces Yanmar: | Replaces Volvo Penta: | Weight: kg | Dimensions: DiaØ x Depth x Hole DiaØ mm: | Type: | No: |
|--------------------------|------------------|--------------------|---------------|------------------|-----------------------|------------|--|--------------------------------------|-------------------|
| 09-702B-1 | 18948-0001 | 10615K | 7300-01 | - | - | 0.178 | 65 x 15.8 x 41.5 | Copolymer Neoprene Original MC Blend | ALB0601018 |
| - | 18327-0001 | 15000K | 7352-01 | - | - | 0.185 | 65 x 15.8 x 51 | Copolymer Neoprene Original MC Blend | ALB0601019 |
| 09-821BT-1 | - | - | 7376-01 | 119574-42550 | 876771 | 0.25 | 65.8 x 25 x 80 | Copolymer Neoprene Original MC Blend | ALB0601020 |
| 09-1028B-1 (09-1028BT-1) | 920-0001 | 18200K | 7400-01 | 123325-42020 | 877061 | 0.176 | 65 x 16 x 50 | Copolymer Neoprene Original MC Blend | ALB0601021 |

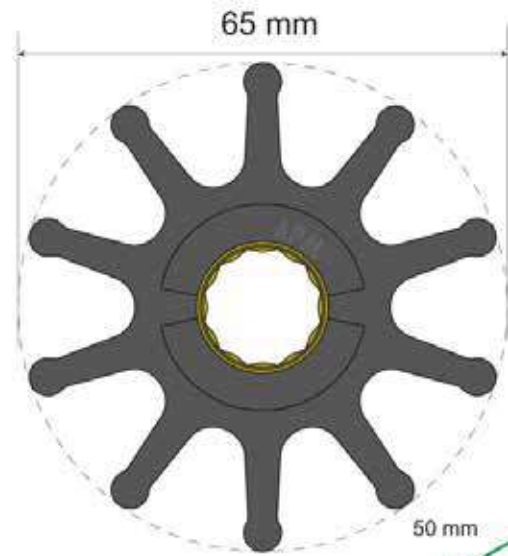
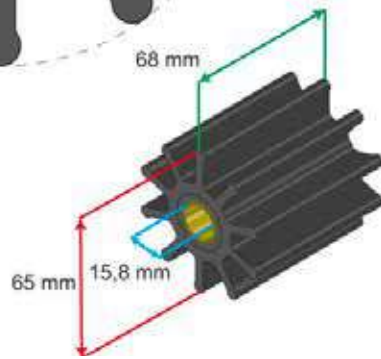
Premium Impeller Kits

A wide range of suitable replacement impellers for most engine cooling pumps and other FIP applications. The Albin Pump Marine impellers are some of the best impellers in the world.

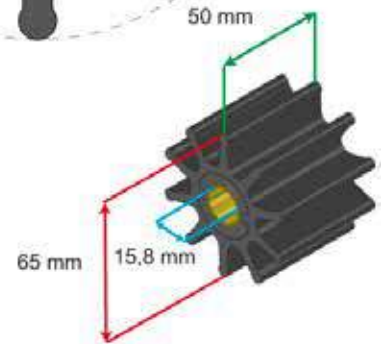
- ◆ ISO 9001 quality guaranteed



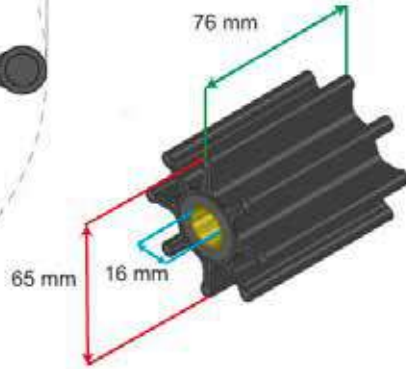
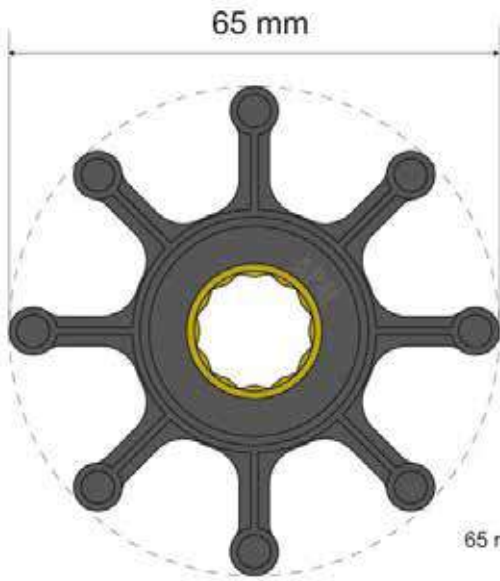
ALB0601022



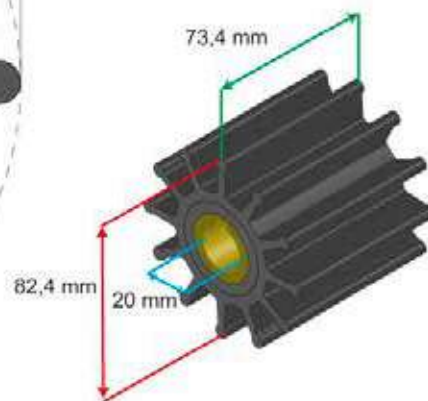
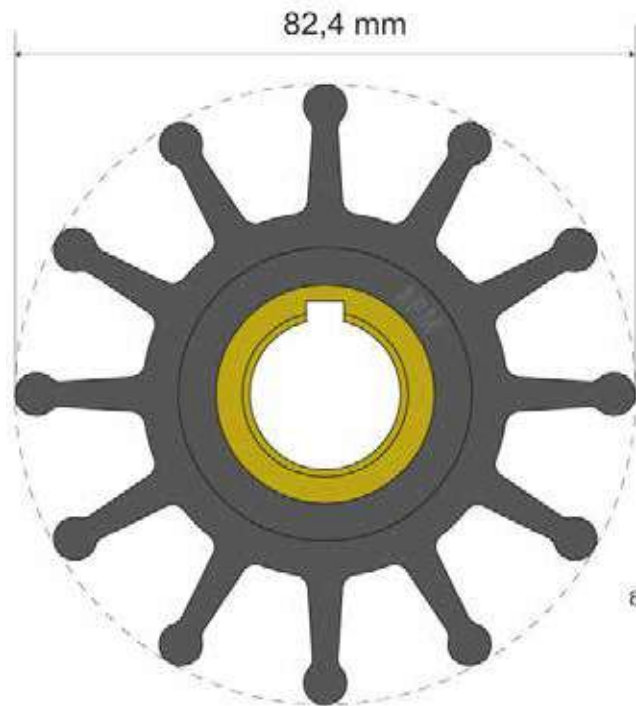
ALB0601023



| Replaces Johnson: | Replaces Jabsco: | Replaces Sherwood: | Replaces JMP: | Replaces Yanmar: | Replaces Volvo Penta: | Weight: kg | Dimensions: DiaØ x Depth x Hole DiaØ mm: | Type: | No: |
|-------------------|------------------|--------------------|---------------|------------------|-----------------------|------------|--|--------------------------------------|-------------------|
| - | 31130-0061 | - | 7420-01 | - | - | 0.244 | 65 x 15.8 x 68 | Copolymer Neoprene Original MC Blend | ALB0602022 |
| - | 17937-0001 | - | 7426-01 | - | 3588475 | 0.183 | 65 x 15.8 x 50 | Copolymer Neoprene Original MC Blend | ALB0602023 |



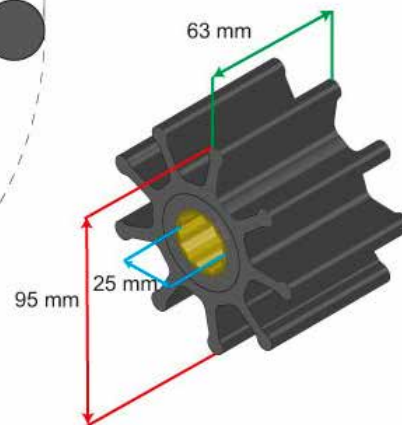
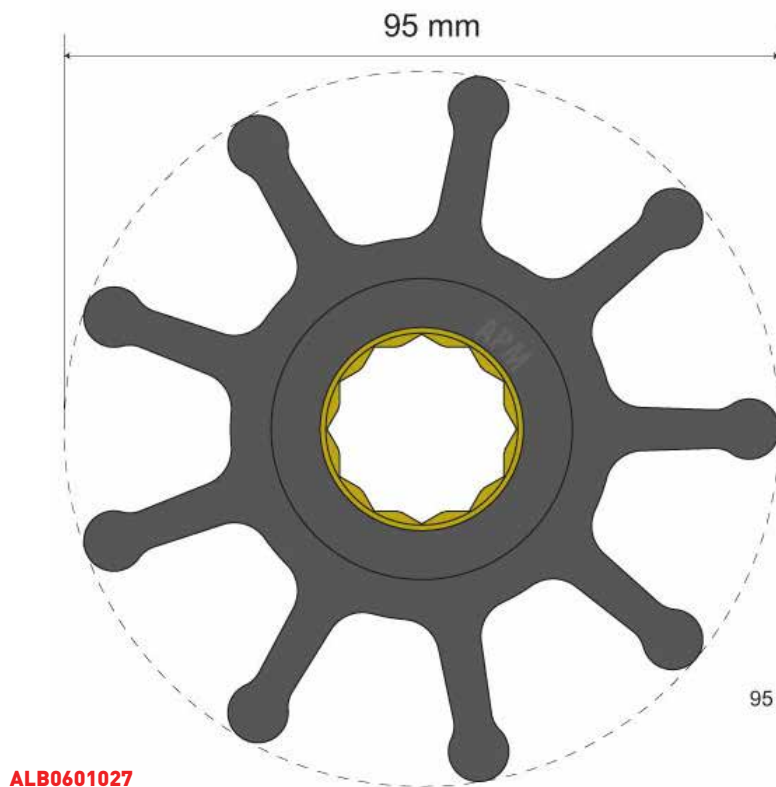
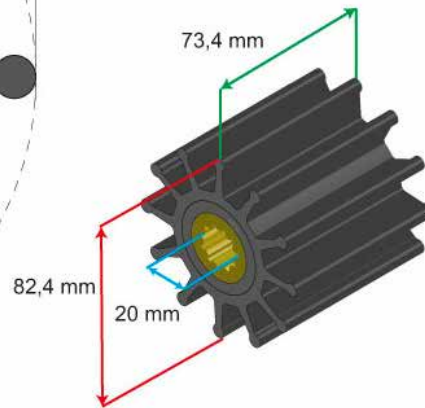
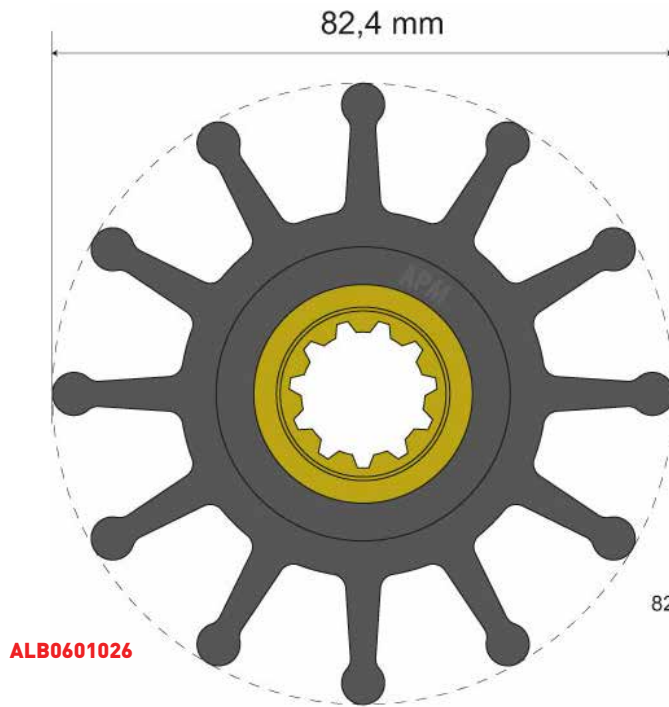
ALB0601024



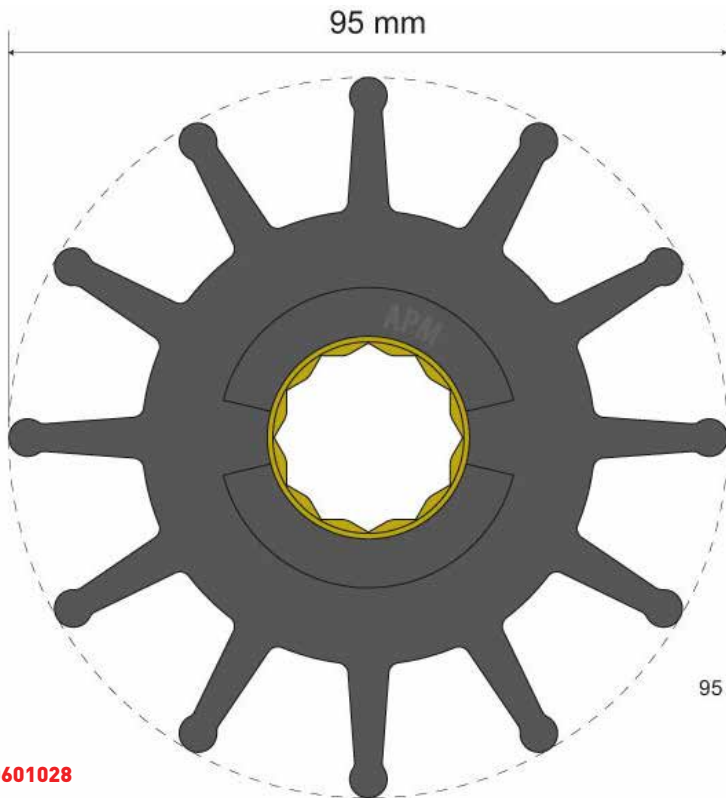
ALB0601025

| Replaces Johnson: | Replaces Jabsco: | Replaces Sherwood: | Replaces JMP: | Replaces Yanmar: | Replaces Volvo Penta: | Weight: kg | Dimensions: DiaØ x Depth x Hole DiaØ mm: | Type: | No: |
|-------------------|------------------|--------------------|---------------|------------------|-----------------------|------------|--|--------------------------------------|-------------------|
| - | 17018-0001 | - | 7446-01 | - | 3593573 | 0.261 | 65 x 16 x 76 | Copolymer Neoprene Original MC Blend | ALB0602024 |
| 09-704BT-1 | 18958-0001 | 17000K | 7600-01 | - | - | 0.481 | 82.4 x 20 x 73.4 | Copolymer Neoprene Original MC Blend | ALB0602025 |

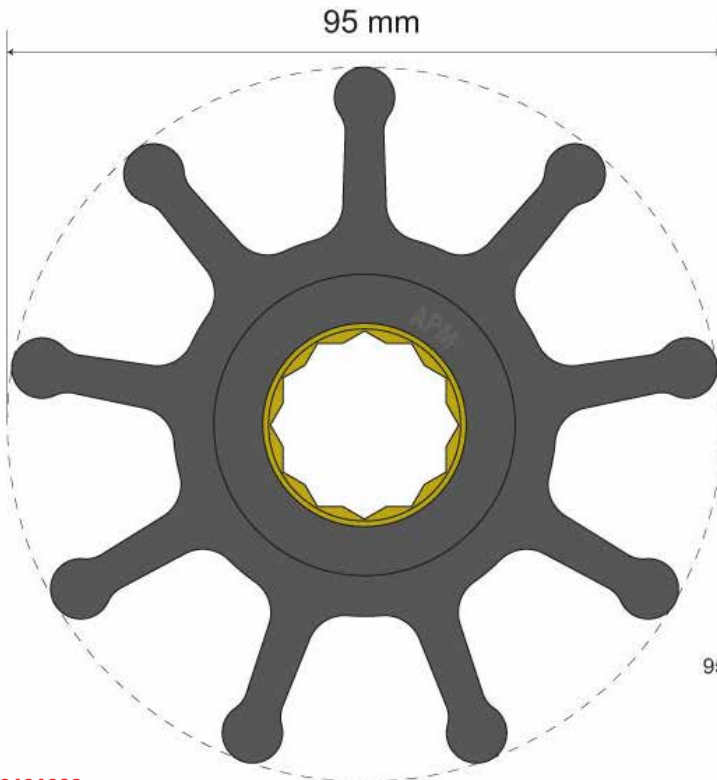
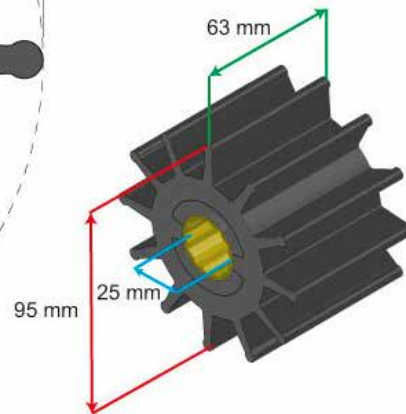
Premium Impeller Kits



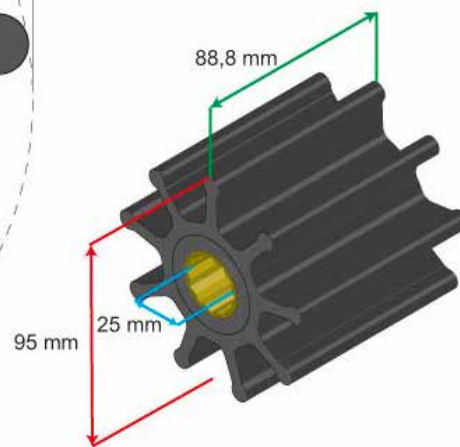
| Replaces Johnson: | Replaces Jabsco: | Replaces Sherwood: | Replaces JMP: | Replaces Yanmar: | Replaces Volvo Penta: | Weight: kg | Dimensions: DiaØ x Depth x Hole DiaØ mm: | Type: | No: |
|-------------------|------------------|--------------------|---------------|------------------|-----------------------|------------|--|---|-------------------|
| - | - | 27000K | 7608-01 | - | - | 0.507 | 82.4 x 20 x 73.4 | Copolymer Neoprene Original MC Blend | ALB0602026 |
| 09-1029B | 836-0001 | - | 8000-01 | - | - | 0.442 | 95 x 25 x 95 | Copolymer Neoprene Original MC Blend | ALB0602027 |



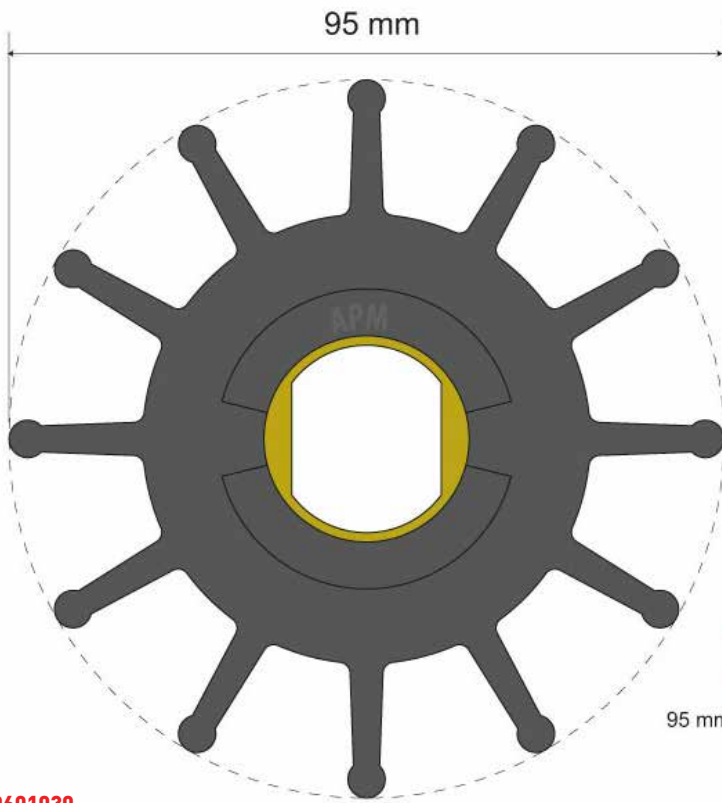
ALB0601028



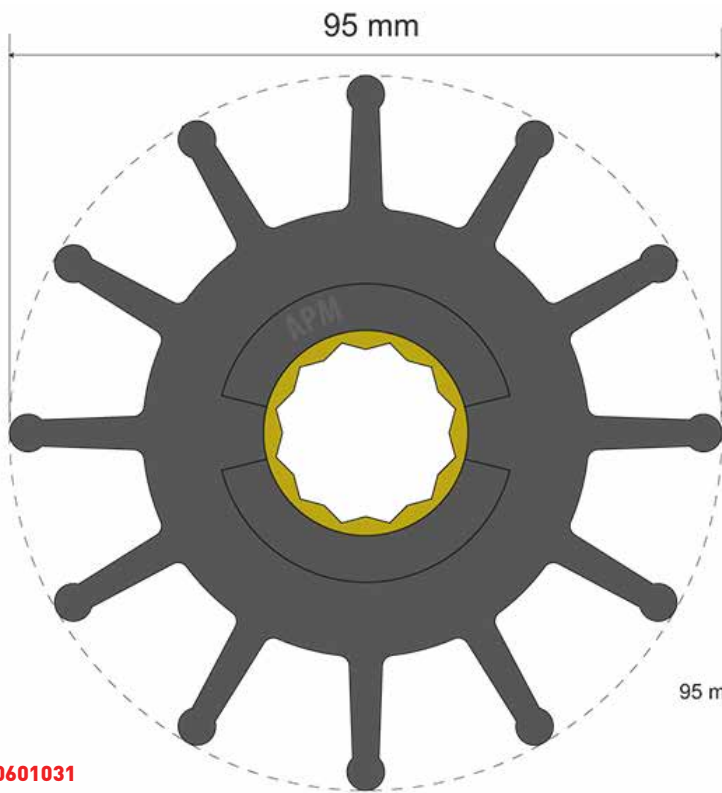
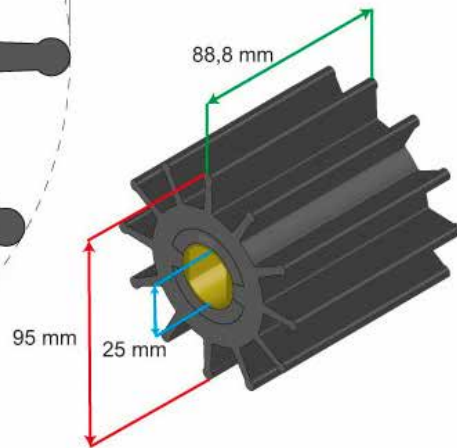
ALB0601029



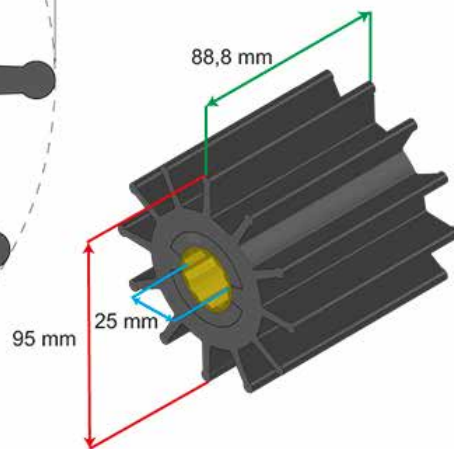
| Replaces Johnson: | Replaces Jabsco: | Replaces Sherwood: | Replaces JMP: | Replaces Yanmar: | Replaces Volvo Penta: | Weight: kg | Dimensions: DiaØ x Depth x Hole DiaØ mm: | Type: | No: |
|-------------------|------------------|--------------------|---------------|------------------|-----------------------|------------|--|--------------------------------------|-------------------|
| 09-819B | 17935-0001 | - | 8100-01 | - | 875660 | 0.474 | 95 x 25 x 63 | Copolymer Neoprene Original MC Blend | ALB0602028 |
| 09-802B | 6760-0001 | - | 8200-01 | 125613-42762 | 842857 | 0.586 | 95 x 25 x 88.8 | Copolymer Neoprene Original MC Blend | ALB0602029 |



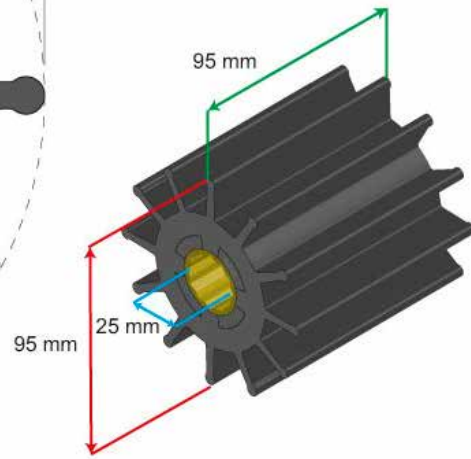
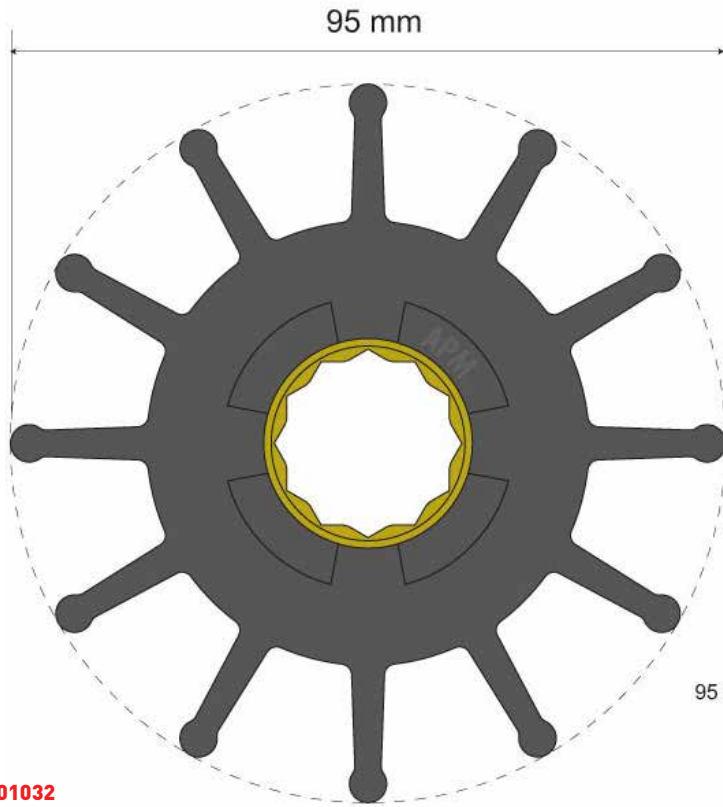
ALB0601030



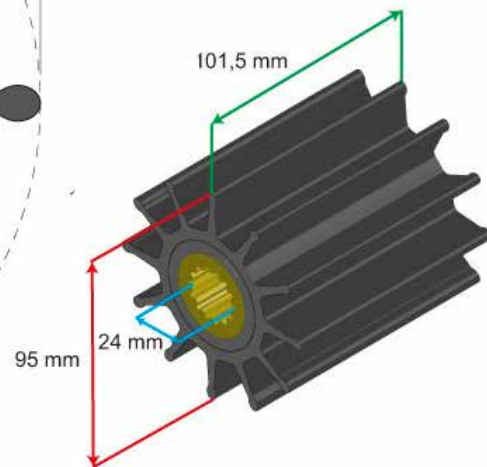
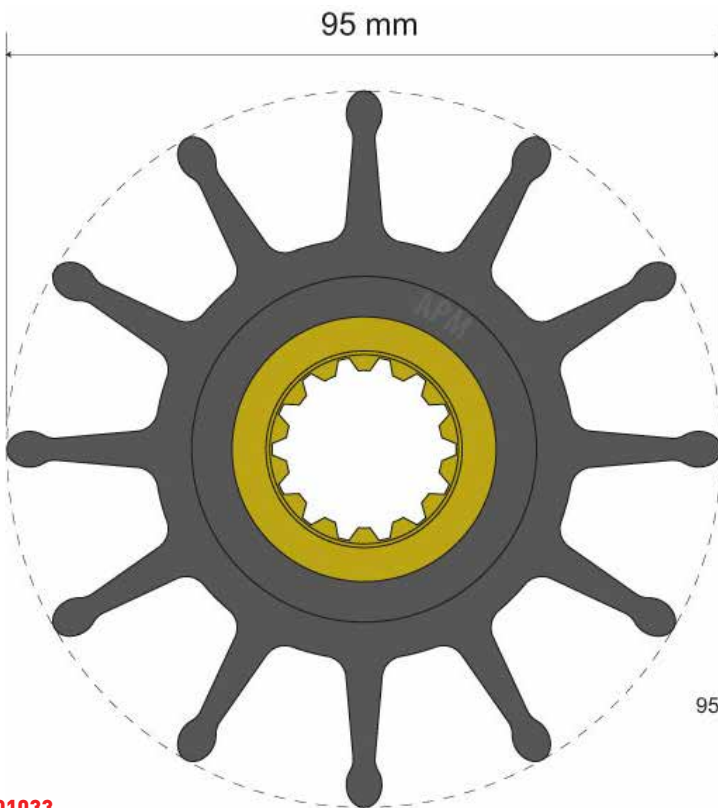
ALB0601031



| Replaces Johnson: | Replaces Jabsco: | Replaces Scania: | Replaces JMP: | Replaces Yanmar: | Replaces Volvo Penta: | Weight: kg | Dimensions: DiaØ x Depth x Hole DiaØ mm: | Type: | No: |
|-------------------|------------------|------------------|---------------|------------------|-----------------------|------------|--|--------------------------------------|------------|
| - | 17370-0001 | - | 8300-01 | - | - | 0.69 | 95 x 25 x 88.8 | Copolymer Neoprene Original MC Blend | ALB0602030 |
| 09-841B | 17936-0001 | 323897 | 8301-01 | - | 875660 | 0.69 | 95 x 25 x 88.8 | Copolymer Neoprene Original MC Blend | ALB0602031 |



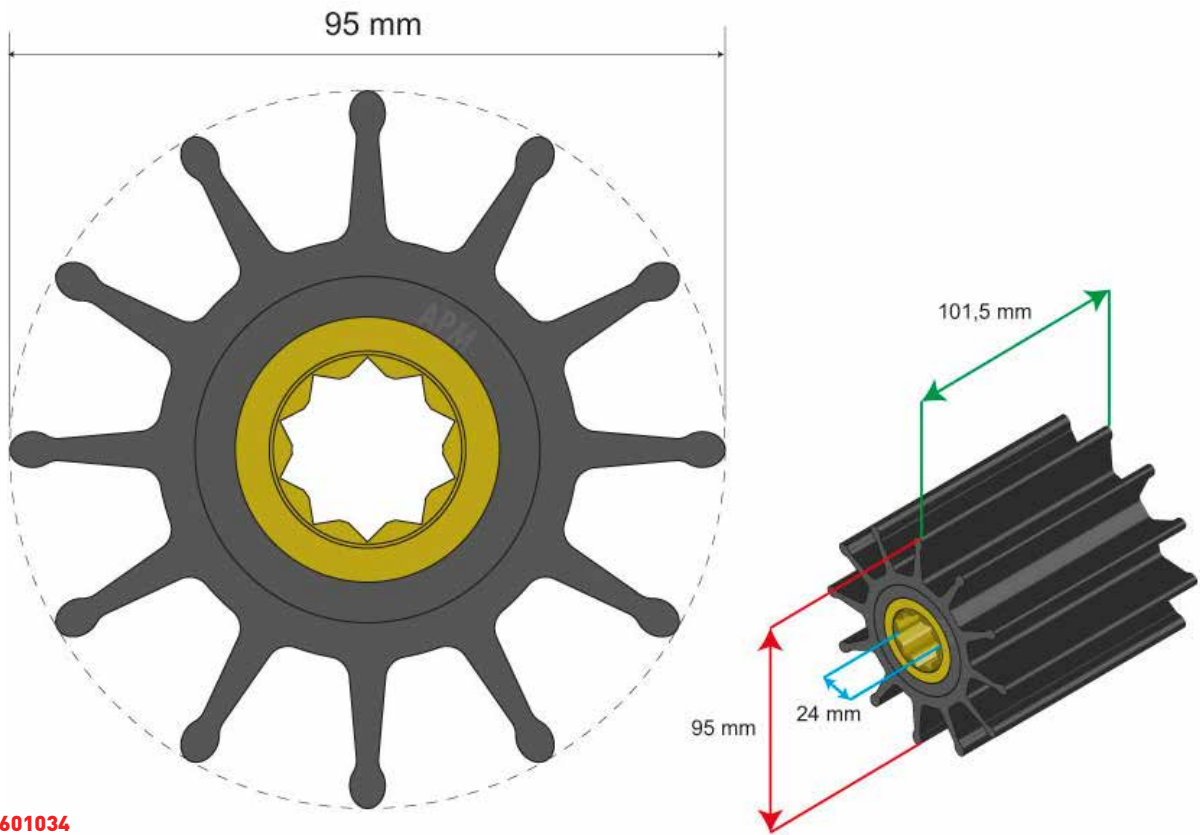
ALB0601032



ALB0601033

| Replaces Johnson: | Replaces Jabsco: | Replaces Sherwood: | Replaces JMP: | Replaces Yanmar: | Replaces Volvo Penta: | Weight: kg | Dimensions: DiaØ x Depth x Hole DiaØ mm: | Type: | No: |
|-------------------|------------------|--------------------|---------------|------------------|-----------------------|------------|--|--------------------------------------|-------------------|
| - | 17938-0001 | - | 8326-01 | - | 3830459 | 0.665 | 95 x 25 x 95 | Copolymer Neoprene Original MC Blend | ALB0602032 |
| 09-705BT-01 | - | 18000K | 8350-01 | - | - | 0.716 | 95 x 24 x 101.5 | Copolymer Neoprene Original MC Blend | ALB0602033 |

Premium Impeller Kits



ALB0601034

| Replaces Johnson: | Replaces Jabsco: | Replaces Sherwood: | Replaces JMP: | Replaces Yanmar: | Replaces Volvo Penta: | Weight: kg | Dimensions: DiaØ x Depth x Hole DiaØ mm: | Type: | No: |
|----------------------|---------------------|-----------------------|------------------|---------------------|--------------------------|---------------|--|---|-------------------|
| - | - | 29000K | 8359-01 | - | - | 0.728 | 95 x 24 x 101.5 | Copolymer Neoprene Original MC Blend | ALB0602034 |

Radial Air Blowers

Air blowers cover a wide range of ventilation needs and are suitable for almost any installation situation. Engine compartment air extraction prior to start-up, bilge ventilation, galleys or any other compartment.

- ◆ Flange mount compact design with motor integrated in centre of blower
- ◆ Double ball bearings with a high impact thermoplastic body and solid durable assembly surfaces

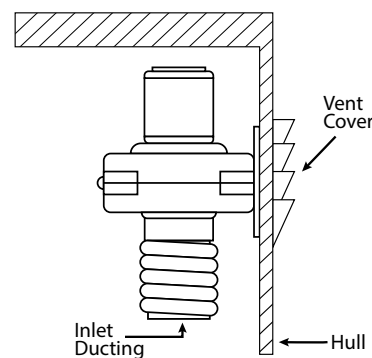
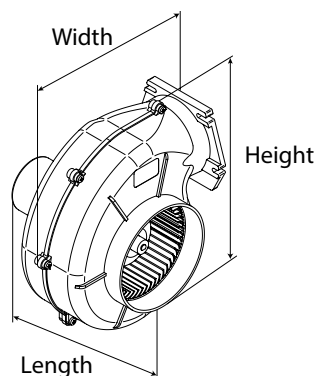
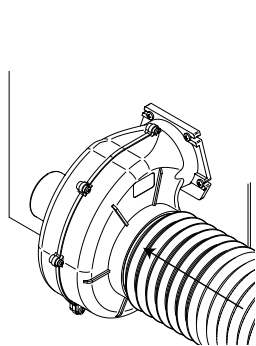
280 Model Flange Mount

- ◆ Extended life motor
- ◆ Tough reinforced thermoset plastic housing
- ◆ Mounts to any flat surface
- ◆ Slip-on inlet ducting connection
- ◆ Efficient high volume air flow
- ◆ Low current draw
- ◆ Corrosion resistant materials
- ◆ Certification - CE marked ISO 9097:1991 Marine (small craft electrical fans), ISO8846 1990 (ignition protection), ISO 10133 2000 (electrical systems), EN55014-1 2006 (2004/108EC)



ALB1002001/ ALB1002002

Hose connections: Inlet 75mm/3", Outlet 92 x 80mm/3¹⁹/₃₂" x 3¹³/₆₄"



| Voltage | Current Draw | Fuse rating | Capacity | Dimensions: H x W x L mm | Weight | Replaces Jabsco: | Replaces Johnson Pump: | Replaces Ocean Technologies: | Part Number: |
|---------|--------------|-------------|---|--------------------------|--------|------------------|------------------------|------------------------------|-------------------|
| 12V | 3.8A | 5A | 280m ³ /hr (163ft ³ /min) | 200 x 165 x 195 | 0.88kg | 34739-0010 | 80-47416-01 | 5500001212 | ALB1002001 |
| 24V | 2A | 5A | 280m ³ /hr (163ft ³ /min) | 200 x 165 x 195 | 0.88kg | 34739-0020 | 80-47416-02 | 5500001224 | ALB1002002 |

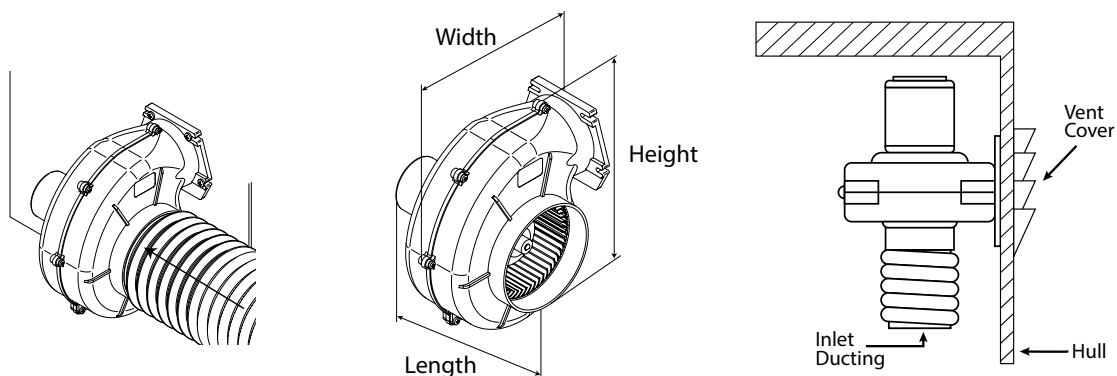
500 Model Flange Mount

- ◆ Extended life motor
- ◆ Tough reinforced thermoset plastic housing
- ◆ Mounts to any flat surface
- ◆ Slip-on inlet ducting connection
- ◆ Efficient high volume air flow
- ◆ Low current draw
- ◆ Corrosion resistant materials
- ◆ Certification - CE marked ISO 9097:1991 Marine (small craft electrical fans), ISO8846 1990 (ignition protection), ISO 10133 2000 (electrical systems), EN55014-1 2006 (2004/108EC)



ALB1002003/ ALB1002004

Hose connections: Inlet 100mm/4", Outlet 146 x 118mm/5¹/₆₄" x 4⁴⁵/₆₄"



| Voltage | Current Draw | Fuse rating | Capacity | Dimensions: H x W x L mm | Weight | Replaces Jabsco: | Replaces Johnson Pump: | Replaces Ocean Technologies: | Part Number: |
|---------|--------------|-------------|---|--------------------------|--------|------------------|------------------------|------------------------------|-------------------|
| 12V | 12A | 15A | 500m ³ /hr (324ft ³ /min) | 290 x 257 x 150 | 2.4kg | 35760-0092 | 80-47417-01 | 5500101212 | ALB1002003 |
| 24V | 6A | 10A | 500m ³ /hr (324ft ³ /min) | 290 x 257 x 150 | 2.4kg | 35760-0094 | 80-47417-02 | 5500101224 | ALB1002004 |





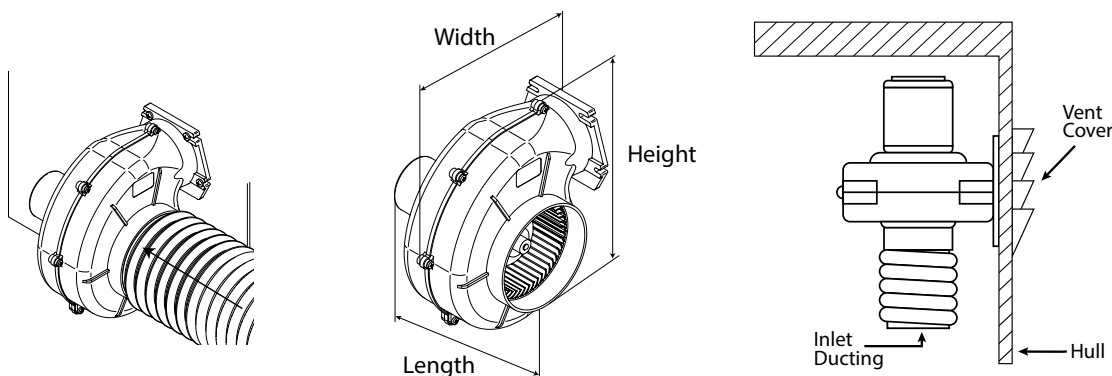
750 Model Flange Mount

- ◆ Extended life motor
- ◆ Tough reinforced thermoset plastic housing
- ◆ Mounts to any flat surface
- ◆ Slip-on inlet ducting connection
- ◆ Efficient high volume air flow
- ◆ Low current draw
- ◆ Corrosion resistant materials
- ◆ Certification - CE marked ISO 9097:1991 Marine (small craft electrical fans), ISO8846 1990 (ignition protection), ISO 10133 2000 (electrical systems), EN55014-1 2006 (2004/108EC)



ALB1002005/ ALB1002006

Hose connections: Inlet 150mm/6", Outlet 146 x 118mm/5⁵¹/₆₄" x 4⁴⁵/₆₄"



| Voltage | Current Draw | Fuse rating | Capacity | Dimensions: H x W x L mm | Weight | Replaces Jabsco: | Replaces Johnson Pump: | Replaces Ocean Technologies: | Part Number: |
|---------|--------------|-------------|---|--------------------------|--------|------------------|------------------------|------------------------------|-------------------|
| 12V | 10A | 20A | 750m ³ /hr (441ft ³ /min) | 290 x 257 x 170 | 2.4kg | - | 80-47418-01 | 5500101412 | ALB1002005 |
| 24V | 5A | 15A | 750m ³ /hr (441ft ³ /min) | 290 x 257 x 170 | 2.4kg | - | 80-47418-02 | 5500101424 | ALB1002006 |

Air Blowers Flex Mount

Air blowers cover a wide range of ventilation needs and is suitable for almost any installation situation. Engine compartment air extraction prior to start-up, bilge ventilation, galleys or any other compartment.

- ◆ Flex mount compact design with motor integrated in centre of blower
- ◆ Double ball bearings with a high impact thermoplastic body and solid durable assembly surfaces

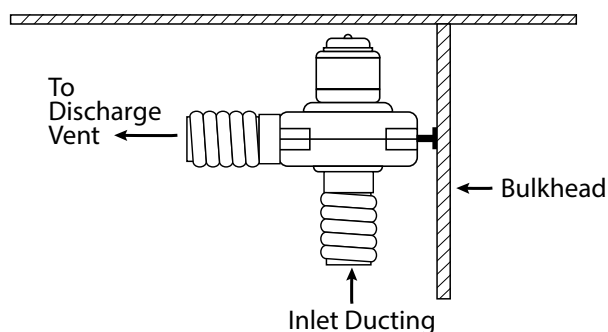
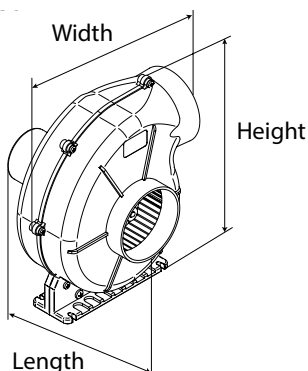
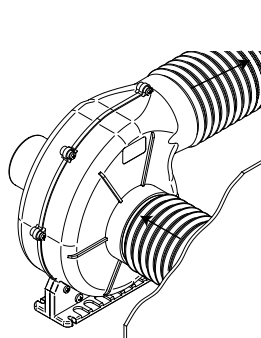
500 Model Flex Mount

- ◆ Extended life motor
- ◆ Tough reinforced thermoset plastic housing
- ◆ Mounts to any flat surface
- ◆ Slip-on inlet ducting connection
- ◆ Efficient high volume air flow
- ◆ Low current draw
- ◆ Corrosion resistant materials
- ◆ Certification - CE marked ISO 9097:1991 Marine (small craft electrical fans), ISO8846 1990 (ignition protection), ISO 10133 2000 (electrical systems), EN55014-1 2006 (2004/108EC)



ALB1003007/ ALB1003008

Hose connections: Inlet 100mm/4", Outlet 110mm/4¹⁹/₆₄"



| Voltage | Current Draw | Fuse rating | Capacity | Dimensions: H x W x L mm | Weight | Replaces Jabsco: | Replaces Johnson Pump: | Replaces Ocean Technologies: | Part Number: |
|---------|--------------|-------------|---|--------------------------|--------|------------------|------------------------|------------------------------|-------------------|
| 12V | 12A | 15A | 500m ³ /hr (324ft ³ /min) | 290 x 257 x 150 | 2.4kg | 35770-0092 | 80-47420-01 | 5500102212 | ALB1003007 |
| 24V | 6A | 10A | 500m ³ /hr (324ft ³ /min) | 290 x 257 x 150 | 2.4kg | 35770-0094 | 80-47420-02 | 5500102224 | ALB1003008 |



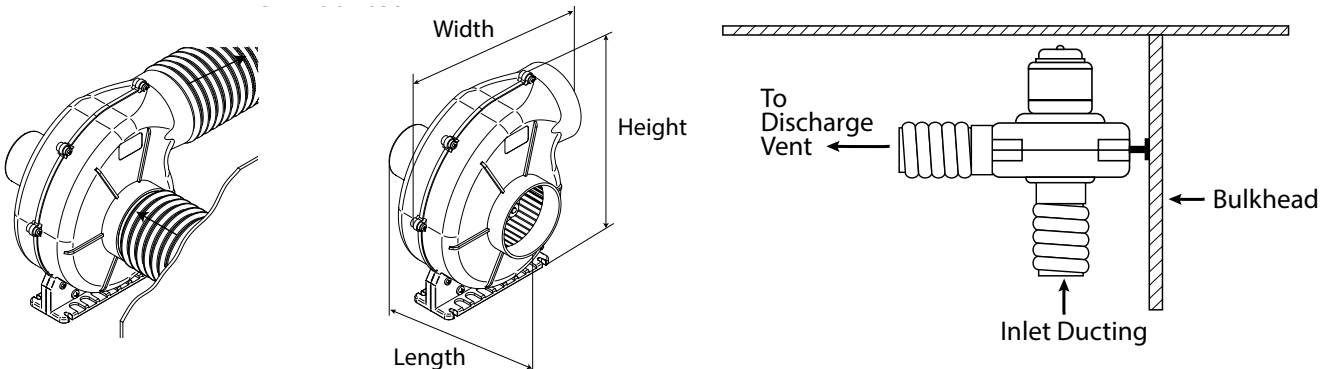
750 Model Flex Mount

- ◆ Extended life motor
- ◆ Tough reinforced thermoset plastic housing
- ◆ Mounts to any flat surface
- ◆ Slip-on inlet ducting connection
- ◆ Efficient high volume air flow
- ◆ Low current draw
- ◆ Corrosion resistant materials
- ◆ Certification - CE marked ISO 9097:1991 Marine (small craft electrical fans), ISO8846 1990 (ignition protection), ISO 10133 2000 (electrical systems), EN55014-1 2006 (2004/108EC)



ALB1003009/ ALB1003010

Hose connections: Inlet 150mm/6", Outlet 110mm/4¹⁹/₆₄"



| Voltage | Current Draw | Fuse rating | Capacity | Dimensions: H x W x L mm | Weight | Replaces Jabsco: | Replaces Johnson Pump: | Replaces Ocean Technologies: | Part Number: |
|---------|--------------|-------------|---|--------------------------|--------|------------------|------------------------|------------------------------|-------------------|
| 12V | 10A | 20A | 750m ³ /hr (441ft ³ /min) | 290 x 257 x 170 | 2.4kg | - | 80-47421-01 | 5500102412 | ALB1003009 |
| 24V | 5A | 15A | 750m ³ /hr (441ft ³ /min) | 290 x 257 x 170 | 2.4kg | - | 80-47421-02 | 5500102424 | ALB1003010 |

Air Blowers In-line Mount

Air blowers cover a wide range of ventilation needs and are suitable for almost any installation situation. Engine compartment air extraction prior to start-up, bilge ventilation, galleys or any other compartment.

- ◆ In-line mount compact design with motor integrated in centre of blower
- ◆ Double ball bearings with a high impact thermoplastic body and solid durable assembly surfaces

1000 Model - 250 & 165

- ◆ Inline mounted axial blower for marine ventilation
- ◆ Flexible, bulkhead installation, with compact and simple design
- ◆ Advanced 5 blade design for maximum flow and performance
- ◆ Quiet operation and low power consumption
- ◆ Long motor service life from powerful airflow cooling
- ◆ Structurally reinforced housing resists deformation during installation and protects blades from interfering with housing
- ◆ For continuous duty
- ◆ Certification - CE marked ISO 9097:1991 Marine (small craft electrical fans), ISO8846 1990 (ignition protection), ISO 10133 2000 (electrical systems), EN55014-1 2006 (2004/108EC)

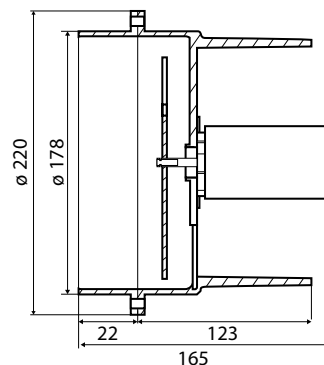
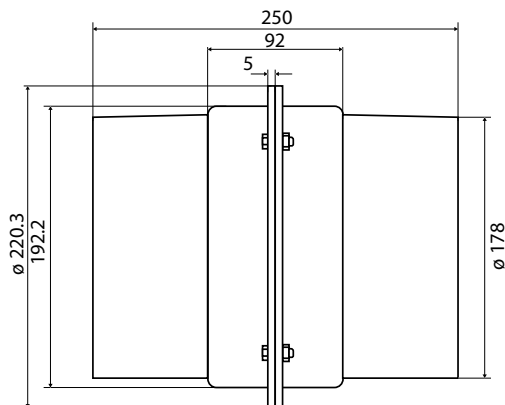


ALB1001011/ ALB1001012



ALB1001013/ ALB1001014

Hose connections: Inlet /Outlet 178mm/7"



| Model | Voltage | Fuse rating | Capacity | Dimensions: L x W mm | Weight | Replaces Vetus: | Replaces Ocean Technologies: | Part Number: |
|-------|---------|-------------|---|----------------------|--------|-----------------|------------------------------|-------------------|
| 250 | 12V | 7A | 1,000m ³ /hr (589ft ³ /min) | 250 x 220 | 1.4kg | Vent 17812A | 5500105012 | ALB1001011 |
| 250 | 24V | 3.5A | 1,000m ³ /hr (589ft ³ /min) | 250 x 220 | 1.4kg | Vent 17824A | 5500105024 | ALB1001012 |
| 165 | 12V | 7A | 1,000m ³ /hr (589ft ³ /min) | 165 x 220 | 1.2kg | - | 5500105512 | ALB1001013 |
| 165 | 24V | 3.5A | 1,000m ³ /hr (589ft ³ /min) | 165 x 220 | 1.2kg | - | 5500105524 | ALB1001014 |

Air Blowers In-line Mount

Vane axial-flow fan bilge blowers designed using aerospace technology to maximise performance. Provides powerful system output with low power input in a compact size.

- ◆ Ideal for applications on smaller boat engine compartments, galleys, bilges, and heads
- ◆ Mounting feet allow vertical or horizontal installation in confined spaces
- ◆ CE certified
- ◆ 16-gauge tinned and caulked copper wire leads

Turbo 3000 & 4000 Series

- ◆ For 76mm / 3" and 102mm / 4" hose systems
- ◆ Nickel-plated motor case for corrosion resistance
- ◆ Stiffening ribs to reduce housing distortion
- ◆ Motor cap to seal wires and motor for water resistance
- ◆ Five-blade fan maximises airflow
- ◆ Barbed intake and exhaust to clamp hose on
- ◆ Low amp draw motor for longer blower and battery life
- ◆ Built-in mounting feet allow easy vertical or horizontal installation
- ◆ Certification - IMCI (CE) certificate FATT005, NMMA no: 90928



AT17331 / AT17334

AT17491 / AT17494

Hose connections: Inlet /Outlet 75mm/3"

Hose connections: Inlet /Outlet 100mm/4"

| Model | Voltage | Current Draw | Fuse rating | Capacity | Dimensions: H x W x L mm | Packaging | Part Number: |
|-------------------|---------|--------------|-------------|---|--------------------------|-----------|----------------|
| Turbo 3000 | 12V | 2.6A | 4A | 204m ³ /hr (120ft ³ /min) | 92 x 129 x 128 | Bulk | AT17331 |
| Turbo 3000 | 12V | 2.6A | 4A | 204m ³ /hr (120ft ³ /min) | 92 x 129 x 128 | Retail | AT17334 |
| Turbo 4000 | 12V | 2.6A | 5A | 340m ³ /hr (200ft ³ /min) | 115 x 154 x 128 | Bulk | AT17491 |
| Turbo 4000 | 12V | 2.6A | 5A | 340m ³ /hr (200ft ³ /min) | 115 x 154 x 128 | Retail | AT17494 |



Air Blowers Partition Mount

- ◆ Ideal for ventilation of engine rooms and other closed spaces
- ◆ Designed for the movement of large volumes of air at low pressure
- ◆ Can handle high air temperatures - up to 80°C
- ◆ Mounts vertically or horizontally
- ◆ Protection grating on both sides of fan - does not need to be enclosed
- ◆ Preferred orientation - it can also be reversed
- ◆ Rated to IP22
- ◆ Propeller blade in die-cast aluminium and can be reversed
- ◆ Certification RINA ISO 9001:2015



Hose connections: Inlet /Outlet 250mm/10"

| Model | Voltage | Current Draw | Fuse rating | Capacity | Dimensions: H x W x L mm | Fitment | Part Number: |
|------------|---------|--------------|-------------|--|--------------------------|--|----------------|
| 01LTR256RE | 24V | 11A | 15A | 12300m ³ /hr (7240ft ³ /min) | 305 x 200 x 305 | Universal for 250mm aperture in bulkhead / partition / panel | Q001240 |





Polyduct 400

- ◆ White vinyl hose ducting for ventilation blowers
- ◆ Wire supported helix
- ◆ Resists weather, sunlight and ozone
- ◆ Operating temperatures -18°C to +71°C



| Model | Colour | Length | Part Number: |
|------------|--------|--------|-------------------|
| 76mm / 3" | White | 15.24m | TRI4003006 |
| 102mm / 4" | White | 15.24m | TRI4004006 |

Polyduct 481

- ◆ The most flexible, crush proof and rugged blower ducting hose
- ◆ Ideal for heating, ventilation and air conditioning (HVAC)
- ◆ Heavy duty polypropylene hose, reinforced with a flexible polypropylene rod helix
- ◆ It has excellent flexibility and compressibility; and excellent resistance to crushing, flex fatigue, tearing and moisture
- ◆ Meets FMVSS 302 flame resistance
- ◆ Operating temperatures -40°C to +107°C



| Model | Colour | Length | Part Number: |
|------------|--------|---------|-------------------|
| 76mm / 3" | Blue | 15.24m | TRI4813000 |
| 102mm / 4" | Blue | 15.24me | TRI4814000 |



Quiet Flow Waterlock

- ◆ Combination waterlock and exhaust manufactured in high density polyethylene
- ◆ Suitable for engines up to 50HP
- ◆ Fits wet exhaust systems with hose diameters of 40, 45 or 50mm
- ◆ Simply trim off the stepped tails to the required diameter
- ◆ Recommended practice is to use double exhaust clamps on both the inlet and outlet
- ◆ It is recommended to install a gooseneck and siphon break to prevent back-siphoning into the engine
- ◆ Dimensions reduce if larger diameter hoses are used - as stepped tails are trimmed back



| Model | Dimensions | Application | Part Number: |
|---------|-----------------------------|--|-------------------|
| 6 litre | 485 (L) x 240 (H) x 150 (W) | Universal - for small boats up to 50HP | TRN0106115 |



Worm-Drive Marine Quality Hose Clips

| Size mm | No in pack | No |
|-------------------------|------------|----------------|
| L W4 8-16mm | 10 | Q007230 |
| L W4 12-22mm | 10 | Q007231 |
| L W4 16-27mm | 10 | Q007232 |
| S W4 20-32mm | 10 | Q007233 |
| S W4 25-40mm | 10 | Q007234 |
| S W4 32-50mm | 10 | Q007235 |
| Hose Clips S W4 40-60mm | 10 | Q007236 |
| Hose Clips S W4 50-70mm | 10 | Q007237 |





TRIDENT RUBBER, INC.

Exhaust Clamps

316 Stainless Steel T-Bolt Clamps

- ◆ Features 19mm band and 18-8 T-Bolt & Lock nut (nyloc type)
- ◆ Very strong and secure for critical applications



| Model | Part Number: |
|---|-------------------|
| For hose 127mm/5" - clamp range 136-150mm | TRI7205000 |
| For hose 150mm/6" - clamp range 165-180mm | TRI7206000 |

304 Stainless Steel Constant Torque Clamps

- ◆ Features 16mm band, liner, housing, screw and Belleville Springs
- ◆ Automatically expands and contracts to compensate for heat, cold and compression set



| Model | Part Number: |
|--|-------------------|
| For hose 75mm/3" - clamp range 83-89mm | TRI7303120 |

Silicone Wet Exhaust Elbows & Bellows



TRI270V3000



TRI272V3000



TRI290V3000



TRI272V5000



TRI2405000



TRI290V5000



TRI290X5000



TRI290X5000



TRI272V10000

| Temperature Rating | For Systems | Layout | Length | Rating | Part Number: |
|-----------------------|-------------|--|--------|--------------------|---------------------|
| Very High Temperature | 76mm/3" | Straight Hump with double SS T-bolt clamps | 130mm | Blue - 177°C/350°F | TRI270V3000 |
| Very High Temperature | 76mm/3" | Straight Hump with double SS T-bolt clamps | 152mm | Blue - 177°C/350°F | TRI272V3000 |
| Very High Temperature | 76mm/3" | 90° with double SS T-bolt clamps | 133mm | Blue - 177°C/350°F | TRI290V3000 |
| Very High Temperature | 127mm/5" | Straight Hump with double SS T-bolt clamps | 152mm | Blue - 177°C/350°F | TRI272V5000 |
| Very High Temperature | 127mm/5" | 45° with double SS T-bolt clamps | 146mm | Blue - 177°C/350°F | TRI2405000 |
| Very High Temperature | 127mm/5" | 90° with double SS T-bolt clamps | 152mm | Blue - 177°C/350°F | TRI290V5000 |
| Xtra High Temperature | 127mm/5" | 90° with double SS T-bolt clamps | 152mm | Red - 260°C/500°F | TRI290X5000 |
| Very High Temperature | 254mm/10" | Straight Hump with double SS T-bolt clamps | 267mm | Blue - 177°C/350°F | TRI272V10000 |



TRIDENT RUBBER, INC.

Silicone Wet Exhaust Hose

- ◆ Silicone marine wet exhaust hose and water coolant hose
- ◆ Ultimate extra thick, soft wall silicone quality with very high temperature performance
- ◆ Extra long service life
- ◆ Exceeds SAE J2006-R1 and ABYC & NMMA P-1 exhaust standards
- ◆ 202V blue series is very high temp and features 4-6ply polyester reinforcement - operating temperatures 177°C / 350°F
- ◆ 202X red series is extra high temp and features 4 ply Nomex® reinforcement - operating temperatures 260°C / 500°F
- ◆ Used worldwide on premium boats, yachts and special service vessels
- ◆ It has become the superyacht standard
- ◆ 10 year warranty



| Model | For Systems | Rating | Length | Working PSI | Working Bar | Weight Kg/m | Part Number: |
|-----------|----------------|---------------|---------------|-------------|-------------|-------------|------------------------|
| 202V Blue | 51mm / 2" ID | 177°C / 350°F | 3658mm / 144" | 111 | 7.65 | 0.106 | TRI2022004 |
| 202V Blue | 102mm / 4" ID | 177°C / 350°F | 3658mm / 144" | 58 | 4.00 | 0.182 | TRI2024004 |
| 202V Blue | 152mm / 6" ID | 177°C / 350°F | 3658mm / 144" | 80 | 5.52 | 0.308 | TRI202V6000-36 |
| 202X Red | 305mm / 12" ID | 260°C / 500°F | 910mm / 36" | - | - | - | TRI202X12000-36 |
| 202V Blue | 356mm / 14" ID | 177°C / 350°F | 910mm / 36" | 65 | 4.48 | 0.972 | TRI202V14000-36 |

EDPM Rubber Wet Exhaust Hose

- ◆ Trident Flex wet exhaust hose for longer bend connections
- ◆ A full range in smaller ID for engine intake, critical water drain, scupper bilge and sanitation uses
- ◆ Extra heavy tube and cover with wire helix between 2 ply reinforcement provides excellent flexibility and bend radius
- ◆ Resists heat, ozone, exhaust, sani chemicals, panting and collapse
- ◆ Exceeds SAE J2006-R2 and ABYC & NMMA P-1 exhaust standards
- ◆ New Lloyds Registry Type Approved Cert. 02/00029
- ◆ Black high temp EDPM Rubber 138°C / 280°F
- ◆ 5 year warranty



| Model | For Systems | Rating | Length | Working PSI | Working Bar | Weight Kg/m | Bend Radius | Part Number: |
|-------------------------|------------------|---------------|--------|-------------|-------------|-------------|-------------|------------------------|
| 250 Black / Blue Stripe | 13mm / 1/2" ID | 138°C / 280°F | 3.81m | - | - | - | - | TRI25010001241B |
| 250 Black / Blue Stripe | 16mm / 5/8" ID | 138°C / 280°F | 3.81m | - | - | - | - | TRI25010005841B |
| 250 Black / Blue Stripe | 19mm / 3/4" ID | 138°C / 280°F | 3.81m | - | - | - | - | TRI25010003441B |
| 250 Black / Blue Stripe | 25mm / 1" ID | 138°C / 280°F | 3.81m | - | - | - | - | TRI25010010041B |
| 250 Black / Blue Stripe | 38mm / 1 1/2" ID | 138°C / 280°F | 3.81m | 60 | 4.1 | 0.518 | 102mm | TRI25011241B |
| 250 Black / Blue Stripe | 41mm / 1 5/8" ID | 138°C / 280°F | 3.81m | 50 | 3.4 | 0.611 | 114mm | TRI25015841B |

Exhaust Temperature Alarm

- ◆ Compact and simple to use
- ◆ Panel mount for neat installation at the helm
- ◆ Audible and visual alarm when exhaust temperature rises due to pump failure or water blockage
- ◆ Suitable for 12 or 24 volt operation
- ◆ Supplied with 5 metres of connection cable between sensor and panel
- ◆ Built-in test button to assure user the system is operational



| Model | Sensor | Dimensions mm | Part Number |
|-------------|----------|--------------------------|----------------|
| 2805 Single | 1 x 90°C | 92 (L) x 52 (H) x 30 (D) | INC2805 |
| 2806 Twin | 2 x 90°C | 92 (L) x 52 (H) x 30 (D) | INC2806 |



Sump Pump

- ◆ Brass body
- ◆ Nitrile rubber components
- ◆ For hand pumping



| Pump Length | Inlet/Outlet Connection | Inlet Tube Length | Outlet Tube Length | Part Number |
|-------------|-------------------------|-------------------|--------------------|----------------|
| 180mm | 6mm | 700mm | 270mm | Q006622 |

Siphon Pump

- ◆ Suction pump with PVC tube and shut-off valve for transferring fluids
- ◆ Consists of suction pump, shut-off valve and hose
- ◆ Resistant to acid, chemicals and petrol
- ◆ For hand pumping



| Flow | Part Number |
|---------------------|------------------|
| 4 litres per minute | HUN546000 |



Oil Filter Wrenches

- ◆ Heavy-duty type for long service life
- ◆ Flexible steel belt to grip cartridge type 'spin-on' filters
- ◆ Makes removal quick, easy and eliminates damage
- ◆ Swivel handle for use in confined areas
- ◆ Much easier to use than chain or screwdriver removal



| For filter diameters: | Part Number |
|-----------------------|----------------|
| 71mm - 80mm | SB28901 |
| 89mm - 98mm | SB28902 |

Pistol Grease Gun

- ◆ High performance mini grease gun with cartridge
- ◆ Contains lube gun and cartridge of marine wheel bearing grease
- ◆ Convenient, one hand application
- ◆ Heavy duty design for years of trouble-free use



| Model | Part Number |
|---------------------------------------|----------------|
| Pistol Grease Gun with 89ml cartridge | SB28703 |
| Replacement cartridges - 89ml x 2 | SB26003 |

Lever Action Grease Gun

- ◆ Heavy duty 14oz grease gun
- ◆ Lever action gun for use with all 396ml / 14oz grease cartridges
- ◆ Engineered to maximise pressure with consistent flow of grease
- ◆ Heavy gauge steel barrel helps prevent dents, promoting longer life
- ◆ Corrosion resistant bright metal finish



| Model | Part Number |
|---|----------------|
| Heavy duty lever action grease gun for 396ml cartridges | SB28714 |
| Replacement cartridge - 396ml / 14oz | SB26014 |

Lower Unit Quart Pump

- ◆ Fits standard quart bottles (Starbrite type)
- ◆ Flexible hose to get to hard-to-reach fill plugs
- ◆ Includes metal threaded standard fitting fits: Mercruiser, OMC, Evinrude, Johnson, Honda (70-90hp), Volvo, Force and Gamefisher lower units



| Model | Part Number |
|--|----------------|
| Lower Unit Quart Pump | SB27400 |
| 8mm adaptor to fill Nissan, Yamaha, Tohatsu, Honda | SB28401 |
| 10mm adaptor to fill Suzuki, Honda | SB28402 |



Lower Unit Lube Tube

- ◆ Quick, easy and clean way to change marine lower unit gear lube
- ◆ For use with all 8oz and 10oz squeeze tubes
- ◆ Metal threaded standard fitting fits: Mercruiser, OMC, Evinrude, Johnson, Honda (70-90hp), Volvo, Force and Gamefisher lower units



| Model | Part Number |
|--|----------------|
| Lower Unit Lube Tube | SB28600 |
| 8mm adaptor to fill Nissan, Yamaha, Tohatsu, Honda | SB28401 |
| 10mm adaptor to fill Suzuki, Honda | SB28402 |

Descaling Motor Flush

- ◆ Designed to safely and quickly remove scale, calcium deposits, corrosion, salt and carbon build up in an engine's cooling and wet exhaust systems
- ◆ These deposits can make an engine run hot by restricting water flow through the cooling jackets
- ◆ Calcium build up also may damage the engine's water pump
- ◆ Descaling Engine Flush WILL NOT damage seals, gaskets or rubber impellers



| Size | Part Number |
|-------------------|----------------|
| 3.78 litre bottle | SB92600 |



Outboard Motor Trolley

- ◆ Two wheeled trolley for safe and easy moving of outboard engines when not installed on the boat
- ◆ Can also be used as a stand for storing the engine on when not in use
- ◆ Allows engine to be stored safely in its natural upright position



| Maximum Carrying Weight | Height | Weight | Wheel Diameter | Part Number |
|-------------------------|--------|--------|----------------|-------------------|
| 70kg | 900mm | 10kg | 260mm | TR00826090 |

Engine Lifting Sling

- ◆ Power lift sling for outboard motors
- ◆ Features upper handle for easier lifting



| Breaking Load | Part Number |
|---------------|-------------------|
| 50kg | TRN0630050 |



Universal Motor Flusher

- ◆ For attachment to outboard motors to enable fresh water flushing of the engine after use
- ◆ Rubber cups designed to cover water intake opening
- ◆ Supplied with standard garden hose connector for fast and easy connection to hose
- ◆ Rubber cups with aluminium clip to hold in place on engine
- ◆ Hose fitting in plastic



| Model | Part Number |
|-----------|----------------|
| Round cup | Q004103 |



Universal Rectangular Cup Motor Flusher

- ◆ For attachment to outboard motors over 50hp to enable fresh water flushing of the engine after user
- ◆ Improved water flow with rectangular cups - virtually eliminates water leakage for higher-pressure flushing
- ◆ Dual water feed through both cups
- ◆ For use on all lower units with side water inlets; includes Volvo



| Model | Dimensions H x W x L mm: | Weight | Application | Part Number |
|-------|-----------------------------|--------|-----------------|----------------|
| Dual | 381 x 89 x 140 | 0.63kg | Outboards 50hp+ | Q065189 |



SLX Superflat Cassette Hose

- ◆ Compact for convenient space saving storage
- ◆ Highly flexible
- ◆ Lightweight and easy to use
- ◆ Easily drained when stowing
- ◆ Compatible with most leading brands of garden hose fittings
- ◆ Silicone free
- ◆ Made from Cadmium free materials
- ◆ Supplied with deluxe quick release fittings, universal tap connector and adjustable spray nozzle
- ◆ RoHS 3 compliant



| Hose colour | Internal diameter | External diameter | Maximum working pressure | Minimum burst pressure | No |
|-------------|-------------------|-------------------|--------------------------|------------------------|-------------------|
| Opaque blue | 1/2"/12.5mm | 5/8"/15.8mm | 8bar | 24bar | AQMSLXHOSE |





-50°F Non-Toxic Premium Anti-freeze

- ◆ Protects water systems and engines from freezing during storage
- ◆ Use in boats, RVs, vacation homes, pools
- ◆ A -50°F (-46°C) non-toxic antifreeze which provides excellent cold weather and corrosion protection for drinking water systems and all engines
- ◆ Premium additive package prevents corrosion of aluminum, copper, brass and solder, but will not harm rubber, seals or hose materials
- ◆ 3X dyed bright pink colour provides excellent blow through visibility
- ◆ Formulated with virgin, non-toxic USP-grade ingredients
- ◆ Contains no alcohols
- ◆ Product is ready-to-use, do not dilute it



| Size | Part Number |
|-------------------|----------------|
| 3.78 litre bottle | SB31400 |

-100°F Non-Toxic Premium Anti-freeze

- ◆ Protects water systems and engines from freezing during storage
- ◆ Use in boats, RVs, vacation homes, pools
- ◆ A -100°F (-73°C) non-toxic antifreeze which provides the ultimate in extreme cold weather and corrosion protection for drinking water systems and all engines
- ◆ Premium additive package prevents corrosion of aluminum, copper, brass and solder, but will not harm rubber, seals or hose materials
- ◆ 3X dyed blue-green colour provides excellent blow through visibility
- ◆ Formulated with virgin, non-toxic USP grade ingredients
- ◆ Contains no alcohols
- ◆ This product is ready-to-use or may be diluted, please follow label directions for dilution ratios
- ◆ Will provide burst protection to -100°F (-73°C) and freeze protection within a range of -58°F to -63°F (-50°C to -52°C)
- ◆ When testing with a refractometer or hydrometer designed for use with propylene glycol, freeze point readings on the PG scale will range from -58°F to -63°F
- ◆ The most effective and safest way to protect all marine engines from freeze-up damage during winter storage



| Size | Part Number |
|-------------------------|-----------------|
| 3.78 litre bottle | SB31500 |
| 208 litre workshop drum | SB315055 |



Established in 1928, Rock Oil supply high quality lubricants and fuels for all markets. Their products are manufactured from the finest state of the art synthetic chemicals and oils; they meet and surpass all relevant national and international standards. World Championship winning performances in motor sport have led to blending and manufacturing lubricants for some of the world's top motorcycle, car and engine manufacturers. Extensive research and development work ensures that existing ranges are improved and new products are designed to meet emerging standards and approvals.

- ◆ The pursuit of excellence has resulted in the highly prestigious NMMA certification for the cutting edge MP3 Ultra, Bio Marine 3, MP3 Sport and MP +lubricants
- ◆ Using the correct lubricant is essential in ensuring the long term reliability and protection of your engine. Every Rock Oil marine product is engineered to perform a specific task, assuring you of the highest performance for your own individual requirement
- ◆ With today's modern marine applications, lubricants have to work harder than ever to ensure optimum performance and reliability. To achieve these demanding criteria, Rock Oil has succeeded in developing a sophisticated range of products to cater for every possible need, including, engine oils, gear oils, transmission oils, grease and a whole range of ancillary products

Kool Guard Blue Engine Coolant & Anti Freeze

- ◆ Total protection from -38°C to normal operating temperatures
- ◆ A ready to use summer coolant, anti freeze and anti corrosive premix
- ◆ Kool Guard is equally suitable for hard conditions and everyday use, as it not only helps maintain safe engine temperatures, but also inhibits corrosion whilst improving lubricity
- ◆ Protects the radiator and water pump thus extending the life of the cooling system
- ◆ Super thermal stability under the toughest conditions, highly effective at maintaining safe engine temperatures with improved heat transfer properties
- ◆ Supplied pre-diluted with de-ionised water - no need to mix



| Size | Part Number |
|----------|---------------------|
| 1 litre | RO6000000010 |
| 5 litre | RO6000000005 |
| 20 litre | RO6000000020 |



MP3 Ultra

DFI marine oil NMMA TC-W3®+ synthetic blend 2 stroke outboard oil

- ◆ High Performance TC-W3®+ developed for use with the latest Direct Fuel Injected (DFI) engines and their special lubrication requirements
- ◆ Maximum protection for all DFI (and non DFI) engines even under the most extreme operating conditions
- ◆ Out performs other oils by combining a carefully modified base stock blend with a synthetic additive package and minimises carbon build-up
- ◆ Maintains engine's top end speed and acceleration
- ◆ Can be used in tanks and will mix with other typical 2-cycle engine oils



| Size | Part Number |
|-----------|----------------------|
| 1 litre | R00739000010 |
| 5 litre | R00739000005 |
| 20 litre | R00739000020 |
| 210 litre | R007390000210 |

MP3 Sport

NMMA TC-W3® semi synthetic 2 stroke marine outboard oil

- ◆ TC-W3® capable of performing in the lean oil to fuel ratios of modern high performance air and liquid cooled 2 stroke engines
- ◆ Advanced additives ensure easy starting and clean running even under continuous use
- ◆ Perfectly suited to oil injection systems but can be premixed
- ◆ Ease of starting and clean running characteristics make MP3 Sport an ideal lubricant for other high performance 2 stroke applications



| Size | Part Number |
|-----------|----------------------|
| 1 litre | R007031000010 |
| 5 litre | R007031000005 |
| 20 litre | R007031000020 |
| 210 litre | R007031000210 |



Bio Marine 3

NMMA TC-W3® bio-degradable synthetic 2 stroke outboard oil

- ◆ Ester based fluid Bio Marine 3 that offers outstanding engine performance and bio-degradation characteristics
- ◆ Fully certified to TC-W3® and has also passed the strongest chainsaw lubrication tests - demonstrating it's high performance capabilities
- ◆ Excellent lubricating and wear prevention capabilities ensures extended engine life
- ◆ Sophisticated additive system coupled with the advanced synthetic base stocks ensure outstanding engine cleanliness, reduced visible emissions and an unrivalled prevention of plug fouling, ring sticking and port blocking
- ◆ Maximises engine performance between service intervals
- ◆ An ecologically friendly high performance 'clean' engine



| Size | Part Number |
|-----------|----------------------|
| 1 litre | R007110000010 |
| 5 litre | R007110000005 |
| 20 litre | R007110000020 |
| 210 litre | R007110000210 |

MP+ Sport 10W-40

Semi synthetic marine inboard oil

- ◆ API SL/CI-4, ACEA A3/B4 E5/E7
- ◆ Mpremium grade 4 stroke engine oil designed for the latest new generation high performance engines
- ◆ Advanced additive, high detergent formulation ensures maximum engine component protection and superior resistance to deposits and corrosion
- ◆ Extended engine life and optimum performance under all conditions
- ◆ Especially suitable for the latest inboard high output marine applications



| Size | Part Number |
|-----------|----------------------|
| 1 litre | R003117000010 |
| 5 litre | R003117000005 |
| 20 litre | R003117000020 |
| 210 litre | R003117000210 |



MPR Injector

Non TC-W3® fully synthetic 2 stroke marine oil

- ◆ Suited for use in injector systems but can be used as a premix oil
- ◆ Smokeless, ultra clean burn lubricant with exceptional performance
- ◆ Offers complete protection to the engine
- ◆ Will mix with leaded or unleaded petrol, avgas and octane boosters but not methanol or castor based oils
- ◆ MPR injector meets the requirements of Sea-Doo jet skis and other Rotax engine marine equipment where 'low ash' rather than 'ashless' oils are specified
- ◆ For premix use - up to 50:1 - always follow the engine manufacturers recommendation



| Size | Part Number |
|-----------|----------------------|
| 1 litre | R007137000010 |
| 5 litre | R007137000005 |
| 20 litre | R007137000020 |
| 210 litre | R007137000210 |

MP Lite D

Multigrade diesel engine oil

- ◆ API CC
- ◆ High quality multigrade oil suitable for use in small capacity non-turbo diesel engines
- ◆ Applicable to engines where the manufacturer recommends a 10w30, 10w40 or 15w40 API CC engine oil



| Size | Part Number |
|-----------|----------------------|
| 1 litre | R002200000010 |
| 5 litre | R002200000005 |
| 20 litre | R002200000020 |
| 210 litre | R002200000210 |



MP Gear

Marine gear oil

- ◆ API GL-5
- ◆ Developed from the finest possible base stocks available combined with state of the art Extreme Pressure (EP) additives
- ◆ For use in hypoid axles and gear boxes
- ◆ Blended to the requirements of the API specification GL-5 making it equally suitable for outboard lower units and I/O transmissions
- ◆ Contains an advanced additive package which ensures optimum performance and protection under extreme conditions
- ◆ Provides maximum thermal stability, anti-corrosion and seal protection qualities



| Size | Part Number |
|-----------|----------------------|
| 1 litre | R006068000010 |
| 5 litre | R006068000005 |
| 20 litre | R006068000020 |
| 210 litre | R006068000210 |

MPH

Marine transmission oil

- ◆ GM Dexron II
- ◆ For use in marine power trim units and hydraulic steering systems
- ◆ Highly resistant to wear, oxidation, corrosion and foaming
- ◆ Suitable for use wherever an ATF Dexron II (DII) fluid is recommended



| Size | Part Number |
|-----------|----------------------|
| 1 litre | R006011000010 |
| 5 litre | R006011000005 |
| 20 litre | R006011000020 |
| 210 litre | R006011000210 |





HLP

Hydraulic power steering fluid

- ◆ Clear oil specially formulated for use in marine hydraulic steering systems
- ◆ Special package with anti-foaming, anti-corrosion, anti-oxidant additives to minimise wear and degradation of steering system components



| Size | Part Number |
|---------|----------------------|
| 1 litre | R005010000010 |

MPG

Universal marine grease

- ◆ NLGI-3 White -20°C to +110°C
- ◆ Multi-purpose white lithium based grease
- ◆ Contains zinc oxide additive to repel moisture making it particularly suitable for use in outboard and inboard engines
- ◆ Thermally sensitive construction and low wash out qualities makes it ideal for use in boat trailer hubs and stern tubes
- ◆ Excellent rust inhibiting properties
- ◆ High oxidation stability within its recommended temperature range



| Size | Single | Part Number |
|---------------------------------|---------|----------------------|
| 500gram tub | Single | R065150000505 |
| 400g cartridges for grease guns | Pack 12 | R065150000012 |
| 3kg bulk pack | Single | R065150000503 |
| 180kg bulk pack | Single | R065150000180 |



Stern Tube Grease

- ◆ White -20°C to +110°C
- ◆ White, Calcium based grease
- ◆ Ideally suited for stern tube applications
- ◆ Exceptional water resistance with excellent adhesion properties
- ◆ Good anti-wear and anti-corrosion protection



| Size | Pack | Part Number |
|--------|-----------|----------------------|
| 500g | Tub | RO65240000505 |
| 3kg | Bulk pack | RO65240000503 |
| 12.5kg | Bulk pack | RO65240000512 |

Water Pump Grease

- ◆ White -20°C to +110°C
- ◆ White, Calcium based grease
- ◆ A waterproof grease designed for use in engine water pump applications
- ◆ Exceptionally low wash out properties with excellent adhesion characteristics

| Size | Pack | Part Number |
|--------|-------------|----------------------|
| 12.5kg | Bulk packed | RO65290000512 |

Water Resistant Grease

- ◆ NLGI-2 Brown -20°C to +140°C
- ◆ Water resistant brown aluminium complex grease
- ◆ Exceptionally wide temperature range
- ◆ Excellent oxidation stability
- ◆ Good mechanical stability
- ◆ Excellent water resistance and rust inhibiting properties
- ◆ Ideal for marine trailer wheel bearings thanks to the higher temperature rating - this grease stays in place with minimal leakage

| Size | Pack | Part Number |
|---------------------------------|---------|----------------------|
| 400g cartridges for grease guns | Pack 12 | RO64070000400 |

Marine Inhibitor

- ◆ Super Marine Inhibitor consists of a light mineral oil blended with sophisticated corrosion inhibitors and oxidation stabilisers
- ◆ Produces a soft oily film which coats the unexposed internal surfaces
- ◆ Ideal for applications such as laying up internal combustion engines
- ◆ Also for external surfaces where it yields a water repellent lubricated surface which also prevents rust formation



| Size | Pack | Part Number |
|----------|-----------|----------------------|
| 20 litre | Bulk pack | RO09090000020 |



Super Premium 2-cycle

TC-W3® Synthetic blend oil

- ◆ Extremely high-grade synthetic blend base stock with a custom additive package
- ◆ Meets or exceeds all engine manufacturer specifications
- ◆ Provides first-rate performance and protection at an affordable price
- ◆ Higher concentration of the additives found in Premium TC-W3®
- ◆ Contains PIB viscosity modifier to greatly improve lubricity and to reduce smoking
- ◆ High-detergent formula removes deposits from fuel delivery system
- ◆ Synthetic blend ashless formula minimises piston ring sticking and protects against pre-ignition problems
- ◆ Environmentally friendly, reduces emissions
- ◆ Ideal for use in high-performance engines - exceeds specifications for: FICHT, E-TEC, Optimax and HPDI Outboards
- ◆ Ideal for use in all 2 stroke (cycle) engines including PWC, premix and direct injection designs



| Size | Part Number |
|-------|----------------|
| 475ml | SB19216 |
| 950ml | SB19232 |
| 3.79l | SB19200 |

Premium 2-cycle Oil

TC-W3® Synthetic blend oil

- ◆ Extremely high-grade synthetic blend base stock with a custom additive package
- ◆ Additive package equals or exceeds all OEM oils
- ◆ First-rate performance at an affordable price
- ◆ Synthetic blend ashless formula minimises piston ring sticking and protects against pre-ignition problems
- ◆ Environmentally friendly, clean burning oil that reduces emissions
- ◆ Engineered for operation under extreme conditions
- ◆ Ideal for use in all 2 stroke (cycle) engines including PWC, premix and direct injection designs



| Size | Part Number |
|-------|----------------|
| 475ml | SB19016 |
| 950ml | SB19032 |
| 3.79l | SB19000 |



Pro Star Super Premium 10w 30

Synthetic blend 4 stroke oil

- ◆ For use in 4 stroke high performance outboard, petrol inboard and sterndrives
- ◆ One of the first 4 stroke oils to be certified under the NMMA's new FC-W category
- ◆ Meets or exceeds all criteria for viscosity, filter plugging, foaming and aeration
- ◆ Successfully passed NMMA's 100-hour general performance engine test
- ◆ Surpasses API requirements for SJ, CF-4 and CH-4
- ◆ Additive package optimises engine cleanliness, prevents sludge build up
- ◆ Shear-stable polymer additives plus synthetic base stocks maintain proper viscosity under extremely harsh marine conditions
- ◆ Synthetic/organic blend assures excellent low-temperature properties for quicker starts
- ◆ Provides maximum protection in severe, high rpm applications
- ◆ Marine engines typically operate at higher rpms than automotive engines, requiring an oil that is specifically designed to provide protection under these higher temperature, higher stress circumstances



| Size | Part Number |
|-------|----------------|
| 950ml | SB28132 |
| 3.79l | SB28100 |

Pro Star Super Premium 10w 40

Synthetic blend 4 stroke oil

- ◆ For use in 4 stroke high performance outboard, petrol inboard and sterndrives
- ◆ One of the first 4 stroke oils to be certified under the NMMA's new FC-W category
- ◆ Meets or exceeds all criteria for viscosity, filter plugging, foaming and aeration
- ◆ Successfully passed NMMA's 100-hour general performance engine test
- ◆ Surpasses API requirements for SJ, CF-4 and CH-4
- ◆ Additive package optimises engine cleanliness, prevents sludge build up
- ◆ Shear-stable polymer additives plus synthetic base stocks maintain proper viscosity under extremely harsh marine conditions
- ◆ Synthetic/organic blend assures excellent low-temperature properties for quicker starts
- ◆ Provides maximum protection in severe, high rpm applications
- ◆ Marine engines typically operate at higher rpms than automotive engines, requiring an oil that is specifically designed to provide protection under these higher temperature, higher stress circumstances



| Size | Part Number |
|-------|----------------|
| 950ml | SB28232 |
| 3.79l | SB28200 |



Pro Star Super Premium 25w 40

- ◆ Synthetic blend 4 stroke oil
- ◆ For use in 4 stroke high performance outboard, petrol inboard and sterndrives
- ◆ One of the first 4 stroke oils to be certified under the NMMA's new FC-W category
- ◆ Meets or exceeds all criteria for viscosity, filter plugging, foaming and aeration
- ◆ Successfully passed NMMA's 100-hour general performance engine test
- ◆ Surpasses API requirements for SJ, CF-4 and CH-4
- ◆ Additive package optimises engine cleanliness, prevents sludge build up
- ◆ Shear-stable polymer additives plus synthetic base stocks maintain proper viscosity under extremely harsh marine conditions
- ◆ Synthetic/organic blend assures excellent low-temperature properties for quicker starts
- ◆ Provides maximum protection in severe, high rpm applications
- ◆ Marine engines typically operate at higher rpms than automotive engines, requiring an oil that is specifically designed to provide protection under these higher temperature, higher stress circumstances



| Size | Part Number |
|-------|----------------|
| 950ml | SB28332 |

Pro Star Super Premium 15w 40

- ◆ Heavy duty motor oil
- ◆ Heavy-duty formulation minimises engine wear to provide long-engine life
- ◆ Exceeds OEM requirements, will not void engine warranty
- ◆ Exceeds the highest performance specifications for engines requiring API CI specification
- ◆ Exceeds the warranty requirements for all diesel and gasoline engines specifying SAE 15w 40 grade and API service classification including:
- ◆ Caterpillar, Cummins, Detroit Diesel, Mack, Navistar and Volvo
- ◆ Recommended for applications requiring ACEA E3, E5, MB228.3, Cummins CES 20077, 20076, 20072 & 20071, DDC/MTU Type 1 and 2, Mack EO-M Plus, EO-M and EO-L Plus, Volvo VDS and VDS-2, Allison C4, JASODH1, MAN 271 and 3275 and Global DHD-1 performance
- ◆ API Service Classifications: CI, CH-4, CG-4, CF-4, CF, CE, CD/SJ, SH and EC



| Size | Part Number |
|--------|----------------|
| 950ml | SB28032 |
| 3.79l | SB28000 |
| 18.93l | SB28005 |



Pro Star Super Premium SAE 40

- ◆ Heavy duty motor oil
- ◆ Heavy-duty formulation minimises engine wear to provide long-engine life
- ◆ Equals or exceeds the performance of all US national brands of oil
- ◆ Exceeds the warranty requirements for all diesel and gasoline engines specifying SAE 30 or 40 grade and API service classification including:
- ◆ Caterpillar, Cummins, Detroit Diesel, Mack, Navistar, MAN and Volvo
- ◆ Exceeds Mack EO-K/2 and Allison C4 specifications and CID; A-A-52306A requirements
- ◆ API Service Classifications; CF-2, CD-II, CD, CF, CE/SJ, SH and SG



| Size | Part Number |
|-------|----------------|
| 950ml | SB27932 |
| 3.79l | SB27900 |

Pro Star Super Premium Gear Lube EP 80w 90

- ◆ Synthetic blend lower unit oil
- ◆ High viscosity synthetic blend for long term performance
- ◆ Special Extreme Pressure (EP) and anti-wear additives
- ◆ Recommended for all engines over 100hp
- ◆ Protects against rust and corrosion
- ◆ Great thermal stability
- ◆ API GL-5, MT-1 service SAE J2360, Mack GO-J



| Size | Part Number |
|-------|----------------|
| 950ml | SB27232 |

Pro Star Super Premium Gear Lube 80w 90

- ◆ Mineral lower unit oil
- ◆ High viscosity lower unit gear lube
- ◆ Formulated with special anti-wear additives
- ◆ Rust & Corrosion inhibitors
- ◆ For lower units of all outboard motors and stern drives
- ◆ API GL-5, MT-1 service MIL-PSF-2105E, Mack GO-J, GO-H



| Size | Part Number |
|-------|----------------|
| 295ml | SB27010 |
| 950ml | SB27032 |





Pro Star Super Premium Gear Lube 90w

- ◆ Hypoid lower unit oil
- ◆ Hypoid oil for outboards and stern drives with mechanical shift mechanisms
- ◆ Exceeds all engine manufacturers specifications
- ◆ Will not void manufacturers warranties
- ◆ The ultimate lubrication for maximum performance and economy
- ◆ Formulated with special anti-wear additives, rust and corrosion inhibitors
- ◆ Designed specifically for the marine environment
- ◆ For lower units of all outboard motors and stern drives
- ◆ Recommended for use in Mercury, Mercruiser, Johnson, Evinrude, OVC, Force, Mariner, Nissan, Suzuki, Yamaha and Volvo



| Size | Part Number |
|-------|----------------|
| 295ml | SB27110 |
| 950ml | SB27132 |

Pro Star Super Premium Power Trim & Tilt Fluid

- ◆ All purpose hydraulic systems fluid
- ◆ Exceeds OEM warranty requirements
- ◆ Formulated to provide consistent (no-fade) performance in all marine trim and tilt applications
- ◆ Designed specifically for the marine environment
- ◆ Enhanced to protect seals, hoses and other components from drying, cracking or corroding
- ◆ Anti-foam, anti-wear, anti-oxidation and advanced stabilising additives assure optimum performance in hydraulic trim tabs, power tilt and power steering systems
- ◆ Viscosity: 8 - 10 cSt @ 100°C - ISO 68



| Size | Part Number |
|-------|----------------|
| 295ml | SB28510 |

Transmission Fluid

- ◆ Mercon / Dexron
- ◆ High performance, multi-purpose power transmission fluid for automatic transmissions
- ◆ Exceeds specifications for GMC Dexron III, Ford MERCON, Daimler-Benz and Allison C-4 fluid
- ◆ Made with highly-refined base oils and shear-stable additives



| Size | Part Number |
|-------|----------------|
| 950ml | SB27732 |



Trailer Wheel Bearing Marine Grease

- ◆ Superior rust and corrosion protection from salt water, salt air and atmospheric chemicals
- ◆ Recommend for corrosive marine applications - trailer wheel bearings, water pumps, hinges, pins, winches, anchor chain reels
- ◆ Special water-insoluble formula is highly resistant to wash-out NLGI-2



| Size | Pack | Part Number |
|----------------|--------|----------------|
| 89ml Cartridge | 2 pack | SB26003 |
| 396g Cartridge | - | SB26014 |
| 500ml tub | - | SB26016 |

White Lithium Spray Lube

- ◆ Heavy duty multi-purpose lubricant
- ◆ Water and heat resistant
- ◆ Extension tube included to treat hard to reach places
- ◆ Specially formulated for general marine lubrication needs



| Size | Part Number |
|--------------|----------------|
| 340g aerosol | SB27512 |

White PTEF Lubricant

- ◆ The ultimate lubricant - exceeds performance of normal grease
- ◆ Special PTEF formula will not wash off
- ◆ Protects from -54°C to +343°C
- ◆ Reduces wear and friction
- ◆ Non-toxic, non-staining
- ◆ Great on zippers, winches etc.



| Size | Part Number |
|----------|----------------|
| 113g tub | SB85504 |

Fogging Oil

- ◆ Prevents corrosion when storing inboard or outboard engines for an extended period of time
- ◆ Special formula makes starting engine after storage quick and easy
- ◆ Protects cylinder walls, piston rings and other combustion chamber surfaces from rust and corrosion during storage
- ◆ Excellent for inboard and outboard marine engines



| Size | Part Number |
|---------------|----------------|
| 354ml aerosol | SB84812 |

Oil Absorbent Maxi Boom

- ◆ Absorbs oil, transmission fluid, and fuel from engine pan so it can't get into the bilge
- ◆ Convenient tie downs keeps boom in place
- ◆ Special design allows maximum absorption
- ◆ Absorbs 2 quarts of hydrocarbons



| Size | Part Number |
|---------------------|----------------|
| 470mm L x 100mm Dia | SB86805 |

Aqualine Drive Antifouling

- ◆ A new generation of protection for drives and other light-metal components below the waterline
- ◆ Outstanding protection against fouling throughout the entire season
- ◆ For drives, flaps/tabs and other light metal components below the waterline
- ◆ Surfaces must be cleaned and fully degreased using Jotun Thinner No.7, prior to application of Vinyl Primer and then Aqualine
- ◆ Both Vinyl Primer and Aqualine are supplied in aerosol for easy application and superior finish
- ◆ Coverage 10m²/litre
- ◆ Use Jotun Thinner No.7 (Xylene) for cleaning / degreasing
- ◆ Fast to apply - 15-20 minutes between each coat - 2-3 coats
- ◆ Launching time (max) 9 months



| Description | Pack | Part Number |
|-------------------------|---------------|---------------------|
| Black | 400ml aerosol | JOT6CZ099APA |
| Grey | 400ml aerosol | JOT6CZGREAPA |
| Cleaner / thinner No. 7 | 1 litre | JOT092207BVA |

Vinyl Primer

- ◆ One component, aluminium pigmented vinyl modified primer
- ◆ Specially developed for areas to be coated with Jotun Aqualine such as stern drives, flaps/tabs, outboard engines etc.
- ◆ Fast drying product
- ◆ Supplied in aerosol for easy application and superior finish



| Description | Pack | Part Number |
|-------------------------|---------------|---------------------|
| Vinyl Primer | 400ml aerosol | JOT9PY115APA |
| Cleaner / thinner No. 7 | 1 litre | JOT092207BVA |

MGD Streamline Shaft Anodes

- ◆ The MGD range of shaft anodes are known for their superior quality
- ◆ An excellent choice for vessels with high shaft speeds
- ◆ Features an internal core design which controls wastage and ensures the anode remains secure
- ◆ Incorporates socket head (allen bolt) stainless steel fixing hardware with captive nuts
- ◆ This fixing arrangement makes it easy to get a tight grip on the shaft
- ◆ Available in a wide range of metric and imperial sizes - offering a direct fit for your application
- ◆ Supplied retail packed for display on euroslot hooks



Zinc - for salt water applications

| | MGDUFF Part No | For Shaft Diameter | Anode Outer Diameter | Length | Weight | Part Number |
|-----------------|----------------|--------------------|----------------------|--------|---------|----------------|
| METRIC | MGD25MM | 25mm | 56mm | 65mm | 0.67kg | Q090890 |
| | MGD30MM | 30mm | 56mm | 65mm | 0.59kg | Q090916 |
| | MGD35MM | 35mm | 59mm | 78mm | 1.13kg | MGD35MM |
| | MGD40MM | 40mm | 69mm | 78mm | 0.98kg | Q090918 |
| | MGD45MM | 45mm | 85mm | 100mm | 2.36kg | MGD45MM |
| | MGD50MM | 50mm | 85mm | 100mm | 2.13kg | Q091179 |
| | MGD60MM | 60mm | 85mm | 100mm | 1.58kg | Q090914 |
| | MGD70MM | 70mm | 113mm | 96mm | 2.92kg | Q090777 |
| IMPERIAL | MGD34 | 3/4" / 19mm | 56mm | 65mm | 0.76kg | Q090911 |
| | MGD78 | 7/8" / 22mm | 56mm | 65mm | 0.71kg | Q090915 |
| | MGD1 | 1" / 25.4mm | 56mm | 65mm | 0.66kg | Q090891 |
| | MGD1 18 | 1 1/8" / 29mm | 56mm | 65mm | 0.61kg | Q090912 |
| | MGD1 14 | 1 1/4" / 32mm | 70mm | 78mm | 1.21kg | Q090892 |
| | MGD1 38 | 1 3/8" / 34.8mm | 70mm | 78mm | 1.133kg | Q090917 |
| | MGD1 12 | 1 1/2" / 38mm | 70mm | 78mm | 1.04kg | Q090893 |
| | MGD1 34 | 1 3/4" / 44.4mm | 85mm | 100mm | 2.39kg | Q090913 |
| | MGD2 | 2" / 51mm | 85mm | 100mm | 2.09kg | Q090919 |

Aluminium - for salt and brackish water applications

| | MGDUFF Part No | For Shaft Diameter | Anode Outer Diameter | Length | Weight | Part Number |
|-----------------|----------------|--------------------|----------------------|--------|--------|-----------------|
| METRIC | MGDA25MM | 25mm | 56mm | 65mm | 0.27kg | Q090998 |
| | MGDA30MM | 30mm | 56mm | 65mm | 0.23kg | Q090684 |
| | MGDA35MM | 35mm | 69mm | 78mm | 0.44kg | Q090683 |
| | MGDA40MM | 40mm | 69mm | 78mm | 0.39kg | Q090682 |
| | MGDA45MM | 45mm | 85mm | 100mm | 0.93kg | Q091199 |
| | MGDA50MM | 50mm | 85mm | 100mm | 0.83kg | MGDA50MM |
| | MGDA60MM | 60mm | 85mm | 100mm | 0.62kg | Q090730 |
| | MGDA70MM | 70mm | 113mm | 96mm | 1.17kg | Q090731 |
| IMPERIAL | MGDA34 | 3/4" / 19mm | 56mm | 65mm | 0.29kg | Q090734 |
| | MGDA78 | 7/8" / 22mm | 56mm | 65mm | 0.28kg | Q090735 |
| | MGDA1 | 1" / 25.4mm | 56mm | 65mm | 0.26kg | Q090716 |
| | MGDA118 | 1 1/8" / 29mm | 56mm | 65mm | 0.24kg | Q090717 |
| | MGDA114 | 1 1/4" / 32mm | 70mm | 78mm | 0.48kg | Q090718 |
| | MGDA138 | 1 3/8" / 34.8mm | 70mm | 78mm | 0.44kg | Q090719 |
| | MGDA112 | 1 1/2" / 38mm | 70mm | 78mm | 0.41kg | Q090727 |
| | MGDA134 | 1 3/4" / 44.4mm | 85mm | 100mm | 0.93kg | Q090728 |
| | MGDA2 | 2" / 51mm | 85mm | 100mm | 0.82kg | Q090729 |



MGD Ball Shaft Anodes

- ◆ The SA Martyr range of shaft anodes are well known for their quality and classic golf ball shape
- ◆ An excellent way to protect your shaft from corrosion
- ◆ Available in a wide range of metric and imperial sizes - offering a direct fit for your application
- ◆ Supplied retail packed for display on euroslot hooks



Zinc - for salt water applications

| | MGDUFF Part No | For Shaft Diameter | Anode Outer Diameter | Length | Weight | Part Number |
|-----------------|----------------|--------------------|----------------------|--------|--------|------------------|
| METRIC | ZSA88 22mm | 22mm | 51mm | 48mm | 0.31kg | Q090909 |
| | ZSA98 25mm | 25mm | 56mm | 55mm | 0.49kg | Q090819 |
| | ZSA120 30mm | 30mm | 61mm | 61mm | 0.55kg | Q090908 |
| | ZSA155 40mm | 40mm | 82mm | 73mm | 1.2kg | Q090906 |
| | ZSA178 45mm | 45mm | 82mm | 73mm | 1.14kg | Q091181 |
| | ZSA198 50mm | 50mm | 110mm | 90mm | 2.5kg | Q090828 |
| | ZSA236 60mm | 60mm | 110mm | 90mm | 2.59kg | Q090710 |
| IMPERIAL | ZSA75 3/4" | 3/4" / 19mm | 52mm | 51mm | 0.36kg | Q090820 |
| | ZSA88 7/8" | 7/8" / 22mm | 54mm | 53mm | 0.41kg | Q090909 |
| | ZSA100 1" | 1" / 25mm | 56mm | 55mm | 0.49kg | Q090821 |
| | ZSA112 1 1/8" | 1 1/8" / 29mm | 60mm | 57mm | 0.52kg | Q090822 |
| | ZSA125 1 1/4" | 1 1/4" / 32mm | 61mm | 60mm | 0.79kg | Q090823 |
| | ZSA138 1 3/8" | 1 3/8" / 34.8mm | 67mm | 60mm | 0.67kg | Q090907 |
| | ZSA150 1 1/2" | 1 1/2" / 38mm | 70mm | 63mm | 0.76kg | Q090824 |
| | ZSA175 1 3/4" | 1 3/4" / 44mm | 82mm | 70mm | 1.13kg | Q090905 |
| | ZSA200 2" | 2" / 51mm | 91mm | 73mm | 1.41kg | Q090904 |
| | ZSA225 2 1/4" | 2 1/4" / 57mm | 108mm | 95mm | 2.76kg | Q090923 |
| | ZSA250 2 1/2" | 2 1/2" / 63mm | 108mm | 95mm | 2.35kg | MGDZSA250 |
| | ZSA275 2 3/4" | 2 3/4" / 70mm | 124mm | 92mm | 2.6kg | Q090711 |
| | ZSA300 3" | 3" / 76mm | 124mm | 92mm | 2.97kg | Q090691 |

Aluminium - for salt and brackish water applications

| | MGDUFF Part No | For Shaft Diameter | Anode Outer Diameter | Length | Weight | Part Number |
|---------------|----------------|--------------------|----------------------|--------|--------|------------------|
| METRIC | ASA125 | 1 1/4" 32mm | 61mm | 60mm | 0.20kg | MGDASA125 |

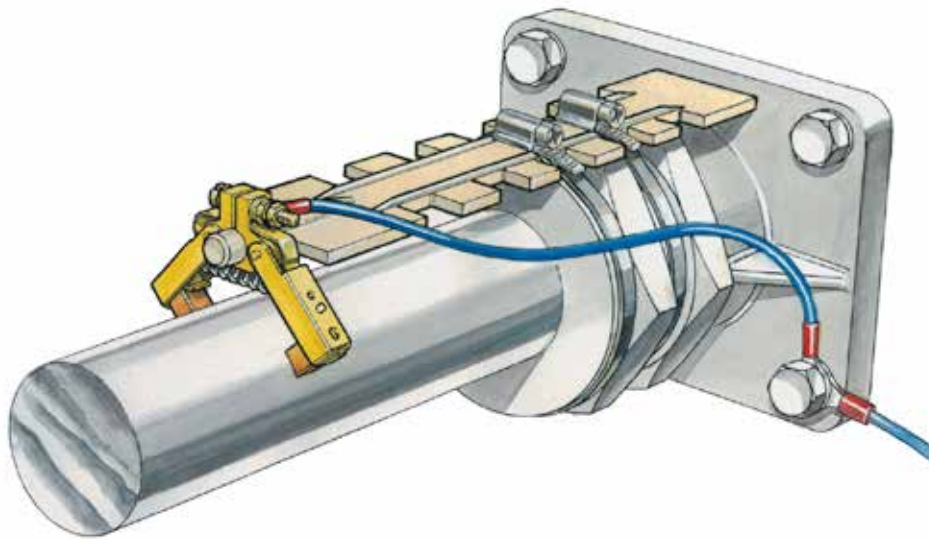
Magnesium - for fresh water applications

| | MGDUFF Part No | For Shaft Diameter | Anode Outer Diameter | Length | Part Number |
|-----------------|----------------|--------------------|----------------------|--------|----------------|
| METRIC | MSA98 25mm | 25mm | 56mm | 55mm | Q091001 |
| IMPERIAL | MSA100 1" | 1" / 25mm | 56mm | 55mm | Q091002 |
| | MSA125 1 1/4" | 1 1/4" 32mm | 61mm | 60mm | Q090922 |
| | MSA150 1 1/2" | 1 1/2" 38mm | 70mm | 63mm | Q091174 |



EE Electro Eliminators

- ◆ Whether the boat is steel or GRP, to provide the best protection to the stern gear the shaft should be fitted with an Electro Eliminator
- ◆ The MG Duff Electro Eliminator brush assembly offers the most effective bonding solution
- ◆ Runs directly on the propeller shaft, connects to the boats anode
- ◆ Bonds the anode to the shaft in a constant, low resistance circuit
- ◆ Copper graphite brushes will give at least 2000 running hours under normal conditions
- ◆ Electro Eliminators also remove interference to electronic equipment caused by the rotating shaft



Q090885



Q090720

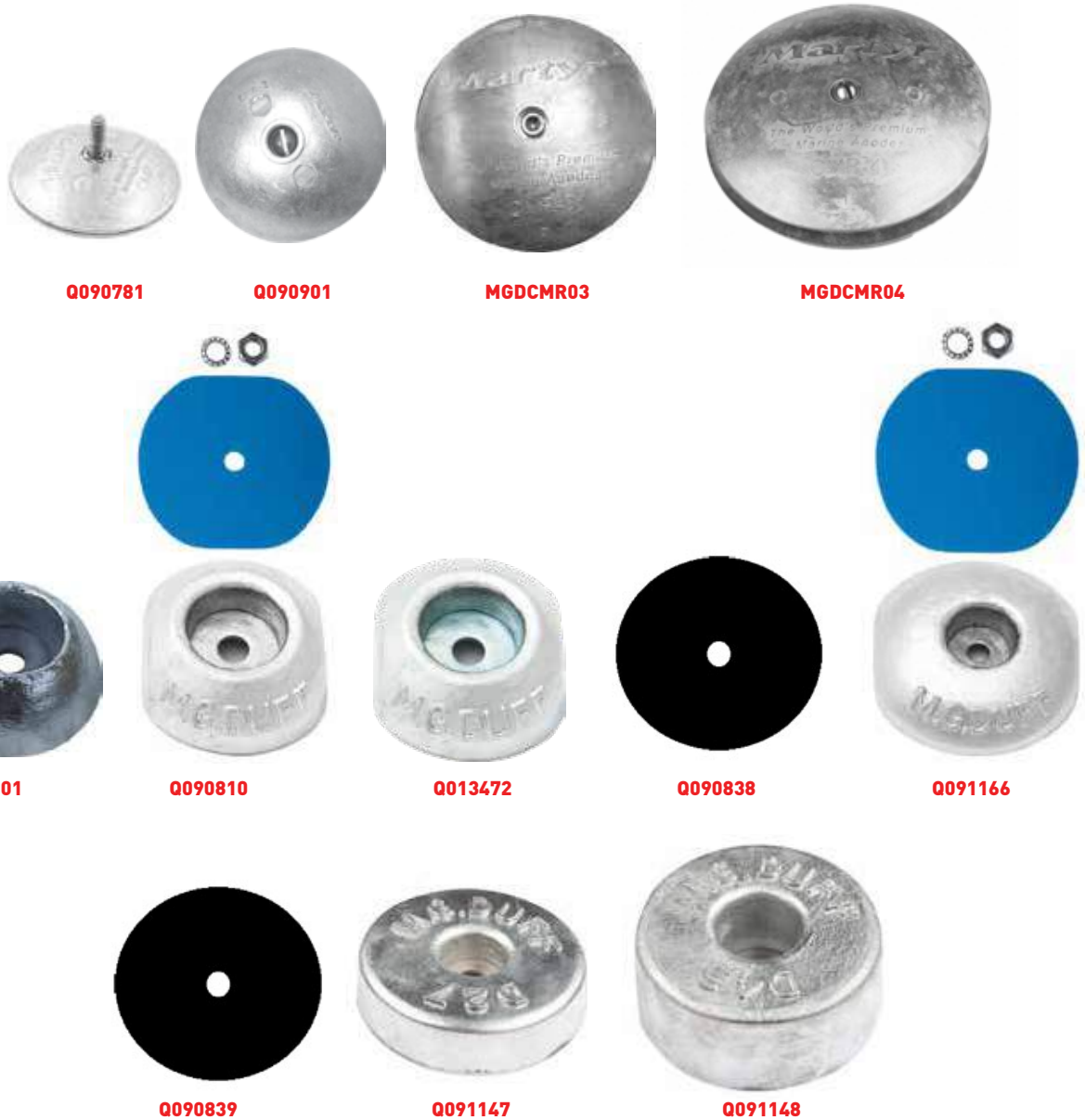


Q091183

| MGDUFF Part No | For Shaft Diameter | Fixing | Part Number |
|----------------|--------------------|---|----------------|
| EE1 | Up to 50mm | 10mm diameter mounting bracket included | Q090885 |
| EE2/208 | 40mm to 100mm | Not included | Q090720 |
| EE3 | 80mm to 200mm | Not included | Q091183 |

Rudder, Trim Tab & Drive Leg Anode

- ◆ MG Duff Button anodes are ideal for protecting rudders and trim tabs
- ◆ Simple bolt through the centre design means they can use pre-existing holes on tabs and anodes where previous anodes have been fitted



Zinc - for salt water applications

| MG DUFF Part No | Contents | Anode body length | Width | Depth | Stud size | Number of fixing holes | Weight | Part Number |
|-----------------|-------------------------------|-------------------|-------|----------|-----------|------------------------|--------|-----------------|
| ZD52 | Supplied as a pair | 50mm | 50mm | 15mm | M6 | 1 | 0.12kg | Q090781 |
| ZD59 | Supplied as a pair | 70mm | 70mm | 25mm | M6 | 1 | 0.43kg | Q090901 |
| CLR03 | Each | 95mm | 95mm | 24mm | M6 | 1 | 0.73kg | MGDCLR03 |
| CLR04 | Supplied as a pair | 127mm | 127mm | 32mm | M6 | 1 | 1.46kg | MGDCLR04 |
| ZD51 | Each | 70mm | 70mm | 30mm | M10 | 1 | 0.5kg | Q090701 |
| ZD56KIT | Backing sheet, nut and washer | 100mm | 80mm | 25mm | M10 | 1 | 1.0kg | Q090810 |
| ZD56 | Supplied as a pair | 100mm | 80mm | 25mm x 2 | M10 | 1 | 2.0kg | Q013472 |
| ZD56 | Backing sheet | - | - | - | - | - | - | Q090838 |
| ZD58KIT | Backing sheet, nut and washer | 150mm | 125mm | 35mm | M10 | 1 | 2.2kg | Q091166 |
| ZD58 | Backing sheet | - | - | - | - | - | - | Q090839 |
| ZD27 | Each | 135mm | 135mm | 35mm | M10 | 1 | 2.7kg | Q091147 |
| ZD45 | Each | 135mm | 135mm | 50mm | M10 | 1 | 4.5kg | Q091148 |



Rudder, Trim Tab & Drive Leg Anode

◆ MG Duff Button anodes are ideal for protecting rudders and trim tabs

◆ Simple bolt through the centre design means they can use pre-existing holes on tabs and anodes where previous anodes have been fitted



MGDAD56KIT

Q090838

Q090960

MGDAD58KIT

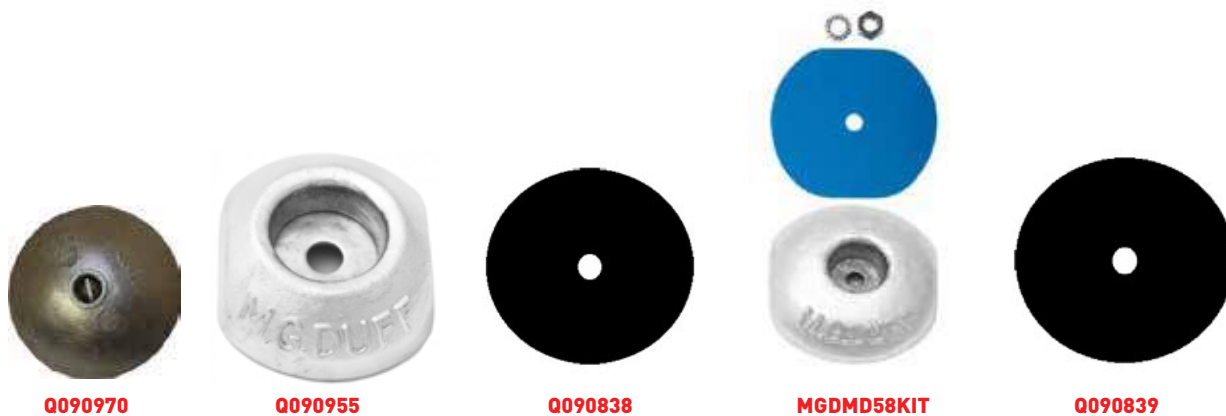
Q090839

MGDAD27

MGDAD35

Aluminium - for salt and brackish water applications

| MGDUFF Part No | Contents | Anode body length | Width | Depth | Stud size | Number of fixing holes | Weight | Part Number |
|----------------|-------------------------------|-------------------|-------|-------|-----------|------------------------|--------|-------------------|
| AD56KIT | Backing sheet, nut and washer | 100mm | 80mm | 25mm | M10 | 1 | 0.42kg | MGDAD56KIT |
| AD56 | Backing sheet | - | - | - | - | - | - | Q090838 |
| AD58 | Each | 150mm | 125mm | 35mm | M10 | 1 | 0.9kg | Q090960 |
| AD58KIT | Backing sheet, nut and washer | 150mm | 125mm | 35mm | M10 | 1 | 0.9kg | MGDAD58KIT |
| AD58 | Backing sheet | - | - | - | - | - | - | Q090839 |
| AD27 | Each | 135mm | 135mm | 35mm | M10 | 1 | 1.1kg | MGDAD27 |
| AD35 | Each | 160mm | 160mm | 30mm | M10 | 1 | 1.3kg | MGDAD35 |



Q090970

Q090955

Q090838

MGDMD58KIT

Q090839

Magnesium - for fresh water applications

| MGDUFF Part No | Contents | Anode body length | Width | Depth | Stud size | Number of fixing holes | Weight | Part Number |
|----------------|--------------------|-------------------|-------|-------|-----------|------------------------|--------|-------------------|
| MD59 | Supplied as a pair | 70mm | 70mm | 25mm | M6 | 1 | - | Q090970 |
| MD56 | Each | 100mm | 100mm | 25mm | M10 | 1 | 0.9kg | Q090955 |
| MD56 | Backing sheet | - | - | - | - | - | - | Q090838 |
| MD58KIT | Each | 150mm | 150mm | 35mm | M10 | 1 | 1.1kg | MGDMD58KIT |
| MD58 | Backing sheet | - | - | - | - | - | 1.3kg | Q090839 |

Bennett Trim Tab Anode

- ◆ Zinc anode for salt water applications
- ◆ With two mounting holes



| MGDUFF Part No | Part Number |
|----------------|----------------|
| CMBNT1AZ | Q090991 |

Universal Outboard Drive & Leg Anode

- ◆ Miniature magnesium anode for protecting Outboard and Z-drive legs permanently submerged in fresh water
- ◆ A direct replacement for many Honda and Johnson engines
- ◆ Retro-fit option by bolting to the underside of the cavitation plate
- ◆ High magnesium purity alloy for corrosion protection in fresh water



| MGDUFF Part No | Part Number |
|----------------|----------------|
| MJE1 | Q090921 |

Pencil Anodes



Q090863



MGDP6253



Q090867



Q090870



Q090864



Q090869



Q090866



Q091169



Q090871

Q090873

Q090872

Zinc - for salt water applications

| MGDUFF Part No | Application | Length | Width | Depth | Weight | Part Number |
|-------------------|--------------------------------------|--------|--------|-------|--------|-----------------|
| P3754 | Use with PP250B plug | 10mm | 10mm | 102mm | 0.06kg | Q090863 |
| P6252 | Use with PP500B plug | 16mm | 16mm | 51mm | 0.10kg | Q090867 |
| P5002 | | 13mm | 13mm | 51mm | 0.08kg | Q090864 |
| P5006 | | 13mm | 13mm | 152mm | 0.15kg | Q090866 |
| P3752 | Use with PP250B plug | 10mm | 10mm | 51mm | 0.03kg | Q091169 |
| P6253 | Use with PP500B plug | 16mm | 16mm | 76mm | - | MGDP6253 |
| P6256 | Use with PP500B plug | 15.8mm | 15.8mm | 152mm | - | Q090870 |
| P7503 | Use with PP750B plug | 19mm | 19mm | 76mm | - | Q090869 |
| PP250B brass plug | For P375 type anodes 1/4" NPT thread | - | - | - | - | Q090871 |
| PP500B brass plug | For P625 type anodes 1/2" NPT thread | - | - | - | - | Q090873 |
| PP750B brass plug | For P750 type anodes 3/4" NPT thread | - | - | - | - | Q090872 |



CMAN Beneteau Type Anodes

- ◆ CMAN propeller nut range offers a tapered section with integral keyway
- ◆ Designed to suit the OEM boss supplied with the Beneteau / Jeanneau propeller assembly
- ◆ Supplied retail packed for display on euroslot hooks



CMAN Beneteau Type Anodes

| MGDUFF Part No | Inside Diameter | Outside Diameter | Depth | Weight | Fixing Details | Part Number |
|----------------|-----------------|------------------|-------|--------|------------------------|----------------|
| CMAN225 | 25mm | 34mm | 39mm | 0.14kg | 1 x 7mm diameter hole | Q090721 |
| CMAN230 | 30mm | 42mm | 54mm | 0.28kg | 1 x 8mm diameter hole | Q090722 |
| CMAN235 | 35mm | 46mm | 58mm | 0.25kg | 1 x 8mm diameter hole | Q090723 |
| CMAN240 | 40mm | 51mm | 67mm | 0.49kg | 1 x 8mm diameter hole | Q090724 |
| CMAN245 | 45mm | 61mm | 76mm | 0.77kg | 1 x 10mm diameter hole | Q090725 |

Aluminium - for salt and brackish water applications

| MGDUFF Part No | Inside Diameter | Outside Diameter | Depth | Weight | Fixing Details | Part Number |
|----------------|-----------------|------------------|-------|--------|-----------------------|--------------------|
| CMAN225A | 25mm | 34mm | 39mm | | 1 x 7mm diameter hole | MGDCMAN225A |

Bruntons Anodes



Zinc - for salt water applications

| MGDUFF Part No | For Propeller type | Part Number |
|----------------|--------------------|-------------------|
| CMPNH5Z | H-5 | MGDCMPNH5Z |
| CMPNH6Z | H-6 | MGDCMPNH6Z |



GORI Anodes



MGDCMG0536Z



MGDCMG0537Z

Zinc - for salt water applications

| MGDUFF Part No | Application | Length | Width | Depth | Weight | No of fixing holes | Fixing Hole Details | Part Number |
|-------------------|--|--------|-------|-------|--------|--------------------|---------------------|--------------------|
| CMG0536Z Triangle | For 15-16.5" 3-blade propeller - bolt not included - OEM 140072100 | 26mm | 26mm | 16mm | 0.04kg | 1 | 8mm | MGDCMG0536Z |
| CMG0537Z Triangle | For 18-20" 3-blade propeller - bolt not included - OEM 14073100 | 28mm | 28mm | 16mm | 0.04kg | 1 | 6mm | MGDCMG0537Z |

Max-Prop Anodes

- ◆ Multi fit anode to suit old and new hubs with M4 & M5 bolts
- ◆ Fixings not included



Q090967



Q090968



Q090969

Zinc - for salt water applications

| MGDUFF Part No | Outside Diameter | Depth | Weight | Stud Size | No of fixing holes | Fixing Hole Details | Part Number |
|----------------|------------------|-------|--------|-----------|--------------------|---------------------|----------------|
| CMMP63RZ | 61mm | 38mm | 0.29kg | M5 x 20 | 6 | 6mm diameter | Q090967 |
| CMMP70RZ | 68mm | 43mm | 0.52kg | M4 x 20 | 6 | 5mm diameter | Q090968 |
| CMMP83RZ | 79mm | 57mm | 0.75kg | M5 x 20 | 6 | 6mm diameter | Q090969 |



Radice Anodes

- ◆ For Radice hexagon pattern propeller nuts



Zinc - for salt water applications

| MGDUFF Part No | For Prop Nut | Outside Diameter | Hex Size | Depth | Weight | Stud Size | No of fixing holes | Fixing Hole Details | Part Number |
|----------------|--------------|------------------|----------|-------|--------|-----------|--------------------|---------------------|----------------|
| RAD22/25Z | 22-25mm | 33mm | 22mm | 40mm | 0.12kg | M6 x 20 | 1 | 7mm diameter | Q091129 |
| RAD30Z | 30mm | 42mm | 27mm | 53mm | 0.26kg | M8 x 20 | 1 | 9mm diameter | Q091130 |
| RAD35Z | 35mm | 46mm | 32mm | 62mm | 0.35kg | M8 x 25 | 1 | 9mm diameter | Q091131 |
| RD40Z | 40mm | 52mm | 36mm | 67mm | 0.49kg | M8 x 20 | 1 | 9mm diameter | Q091132 |
| RD45Z | 45mm | 61mm | 41mm | 76mm | 0.8kg | M10 x 25 | 1 | 11mm diameter | Q091133 |
| RAD50Z | 50mm | 72mm | 46mm | 83mm | 1.19kg | M10 x 35 | 1 | 11mm diameter | Q091134 |
| RAD55Z | 55mm | 75mm | 50mm | 87mm | 1.23kg | M10 x 35 | 1 | 11mm diameter | Q091135 |
| RAD60Z | 60mm | 83mm | 55mm | 98mm | 1.65kg | M45 x 3 | 1 | 11mm diameter | Q091136 |

Radice Anode Sets

- ◆ Propeller Nut Anode Set
- ◆ Replaces existing locknut with a boss, anode and locking tab



Zinc - for salt water applications

| MGDUFF Part No | For Prop Nut | Outside Diameter | Hex Size | Depth | Weight | Stud Size | No of fixing holes | Fixing Hole Details | Part Number |
|----------------|--------------|------------------|----------|-------|--------|-----------|--------------------|---------------------|----------------|
| RAD35CPT | 35mm | 46mm | 32mm | 62mm | 0.73kg | M8 x 25 | 1 | 9mm diameter | Q091123 |
| RD40CPT | 40mm | 52mm | 36mm | 67mm | 1.05kg | M8 x 20 | 1 | 9mm diameter | Q091124 |
| RD45CPT | 45mm | 61mm | 41mm | 76mm | 1.6kg | M10 x 25 | 1 | 11mm diameter | Q091125 |
| RAD50CPT | 50mm | 72mm | 46mm | 83mm | 2.52kg | M10 x 35 | 1 | 11mm diameter | Q091126 |
| RAD60CPT | 60mm | 83mm | 55mm | 98mm | 3.56kg | M45 x 3 | 1 | 11mm diameter | Q091128 |

Sole Diesel Anodes

- ◆ Replacement prop nut anode
- ◆ Fixings not included



Zinc - for salt water applications

| MGDUFF Part No | For Prop Nut | Inside Diameter | Outside Diameter | Depth | Weight | No of fixing holes | Fixing Hole Details | Part Number |
|----------------|--------------|-----------------|------------------|-------|--------|--------------------|---------------------|----------------|
| SOLE32 | 32mm | 24mm | 32mm | 39mm | 0.11kg | 1 | 7mm diameter | Q091137 |
| SOLE37 | 37mm | 26mm | 37mm | 45mm | 0.2kg | 1 | 9mm diameter | Q091138 |
| SOLE45 | 45mm | 36mm | 45mm | 60mm | 0.38kg | 1 | 9mm diameter | Q091139 |
| SOLE55 | 55mm | 45mm | 55mm | 70mm | 0.56kg | 1 | 9mm diameter | Q091140 |

Caterpillar Outdrive Anodes



Zinc - for salt water applications

| MGDUFF Part No | Type | Outside Diameter | Height | Thread Size | Part Number |
|----------------|--------------------------|------------------|--------|-------------|---------------------|
| CM6L2284Z | 2284 series pencil anode | 14mm | 33mm | 5/16" UNC | MGDCM6L2284Z |
| CM6L2288Z | 2288 series pencil anode | 16mm | 64mm | 3/8" UNC | MGDCM6L2288Z |

Cummins Anodes



Zinc - for salt water applications

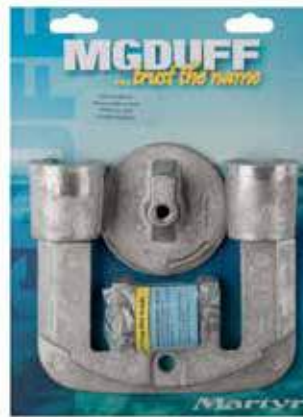
| MGDUFF Part No | Type | Outside Diameter | Height | Thread Size | Part Number |
|----------------|--------------|------------------|--------|-------------|---------------------|
| CMCU1645Z | Pencil Anode | 16mm | 45mm | 3/8" UNC | MGDCMCU1645Z |



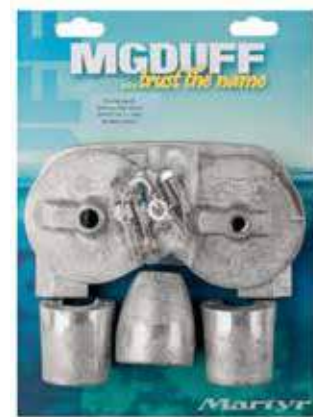
Mercury / Mercruiser Anode Kits



Q090702



Q091155



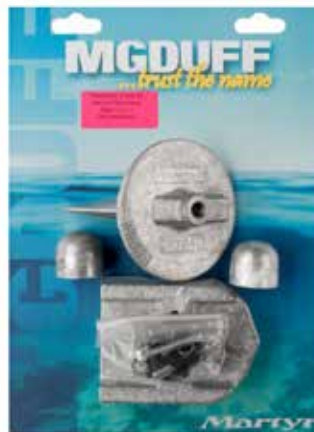
MGDCMBRAVO3KITZ

Zinc - for salt water applications

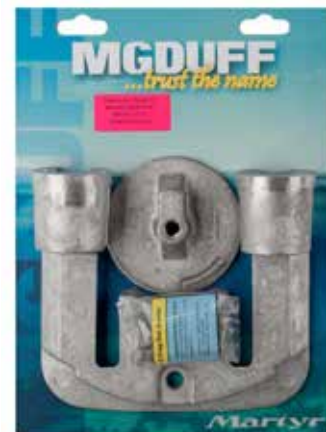
| Type | Application | Includes Anode Part Numbers: | Part Number |
|---------------|----------------------|--|------------------------|
| CMALPHAKITZ | Alpha 1 Generation 2 | CM76214Z (x1), CM806105Z (x1), CM806189Z (x2), CM821629CZ (x1), CM821631Z (x1), Fixing Kit (x1) | Q090702 |
| CMBRAVO23KITZ | Bravo 2 & 3 | CM76214Z (x1), CM806190Z (x2), CM821630C2Z (x1), Fixing Kit (x1) | Q091155 |
| CMBRAVO3KITZ | Bravo 3 (2004 +) | CM762144Z (x1), CM76215Z (x1), CM806190Z (x2), CM821630C2Z (x1), CM865182Z (x1), Fixing Kit (x1) | MGDCMBRAVO3KITZ |



MGDCMALPHAKITM



Q091119



MGDCMBRAVO23KITM

Magnesium - for fresh water applications

| Type | Application | Includes Anode Part Numbers: | Part Number |
|---------------|----------------------|---|-------------------------|
| CMAPLHAKITM | Alpha 1 Generation 2 | CM76214M (x1), CM806105M (x1), CM806189M (x2), CM821629CM (x1), CM821631M (x1), Fixing Kit (x1) | MGDCMALPHAKITM |
| CMAPLHAKITM1 | Alpha 1 Generation 1 | CM31640M (x1), CM55989M (x2), CM821631M (x1), Fixing Kit (x1) | Q091119 |
| CMBRAVO23KITM | Bravo 2 & 3 | M76214M (x1), CM806190M (x2), CM821630C2M (x1), Fixing Kit (x1) | MGDCMBRAVO23KITM |



Q090929



Q090787



Q090786



Q090928



MGDCMBRAVO3KITA



Q090883

Aluminium - for salt and brackish water applications

| Type | Application | Includes Anode Part Numbers: | Part Number |
|---------------|--------------------------|--|------------------------|
| CMALPHAKITA | Alpha 1 Generation 2 | CM76214Z (x1), CM806105A (x1), CM806189A (x2), CM821629CA (x1), CM821631A (x1), Fixing Kit (x1) | Q090929 |
| CMALPHAKITA1 | Alpha 1 Generation 1 | CM31640A (x1), CM55989A (x2), CM821631A (x1), Fixing Kit (x1) | Q090787 |
| CMBRAVO1KITA | Bravo 1 | CM76214A (x2), CM806188A (x1), CM806190A (x1), CM81630C2A (x1), Fixing Kit (x1) | Q090786 |
| CMBRAVO23KITA | Bravo 2 & 3 | CM76214A (x1), CM806190A (x2), CM821630C2A (x1), Fixing Kit (x1) | Q090928 |
| CMBRAVO3KITA | Bravo 3 (2004 +) | CM762144A (x1), CM76215A (x1), CM806190A (x2), CM821630C2A (x1), CM865182A (x1), Fixing Kit (x1) | MGDCMBRAVO3KITA |
| CMVERADO6KITA | Verado 6 cylinder models | CM880653A (x1), CM892227A (x4), CM826134A (x2), CM76214A (x1), Fixing Kit (x1) | Q090883 |



Mercury / Mercruiser Anodes

Zinc - for salt water applications



| Type | Outside Diameter | H / W / L | Thread Size | Stud & Fixing detail | Weight: | Part Number |
|--|------------------|-----------------|--------------|--------------------------------|---------|----------------|
| CM31640Z Mercury, Mercruiser, Honda Standard Skeg | 92mm | 84mm | 7/16"-14 UNC | - | 0.55kg | Q090845 |
| CM55989Z Mercury, Mercruiser Button | 31mm | 30mm | 1/2"-13 UNC | - | 0.11kg | Q090818 |
| CM34127Z Mercury, Mercruiser Long Skeg | 89mm | 127mm | 7/16"-14 UNC | - | 0.59kg | Q090846 |
| CM43994Z Mercury, Mercruiser Plate | N/A | 38 x 79mm | - | 4 x 6mm at 66 and 35mm centres | 0.95kg | Q090826 |
| CM821629CZ Mercury, Mercruiser Plate - Alpha 1, Alpha 2 Gen 2 | N/A | 16 x 73 x 191mm | 1/4"-20 UNC | 2 at 83mm centres | 0.78kg | Q090972 |
| CM826134Z Mercury, Mercruiser Wedge | N/A | 23 x 30mm | - | 1 x 6mm | 0.25kg | Q091165 |
| CM806190Z Mercury, Mercruiser Lift Ram Horseshoe - Bravo | N/A | 51 x 46 x 51mm | - | 2 x 4mm at 38mm centres | 0.35kg | Q090785 |
| CM806189Z Mercury, Mercruiser Lift Ram Horseshoe - Alpha | N/A | 14 x 44 x 49mm | - | 2 x 4mm at 38mm centres | 0.10kg | Q090982 |
| CM806105Z Mercury, Mercruiser Bearing Carrier Alpha 1, Alpha Gen 2 | 85mm | 24mm | - | 2 x 4mm at 74mm centres | 0.23kg | Q090994 |
| CM762145Z Mercury, Mercruiser Circular Plate Alpha | 92mm | 24mm | 7/16"-14 UNC | - | 0.33kg | Q090995 |
| CM43396Z Mercury, Mercruiser Waffle Bar | N/A | 17 x 52 x 192mm | - | 2 x 6mm at 178mm centres | 0.66kg | Q090726 |
| CM984325 Mercury, Mercruiser 25HP plate bar 25HP outboard | 91mm | 100mm | M8 | - | 0.42kg | Q090829 |
| RAD60CPT 60mm Propeller Nut Anode Set - replaces existing locknut with a boss, anode and locking tab | 83mm | 55mm | 98mm | 3.56kg | M45 x 3 | Q091128 |



Aluminium - for salt and brackish water applications



| Type | Outside Diameter | H / W / L | Thread Size | Weight: | Part Number |
|---|------------------|-----------|-----------------|---------|---------------------|
| CM865182A Mercury, Mariner Prop Shaft Anode - Bravo 3 (2004+) | 53mm | 61mm | 5/16-18 x 1 1/2 | 0.19kg | MGDCM865182A |

Magnesium - for fresh water applications



MGDCM43994M



Q091162



MGDCM821629M



Q091177



MGDCM806105M



Q091163



MGDCM806189M



MGDCM762145M



Q091164

| Type | Outside Diameter | H / W / L | Thread Size | Stud & Fixing detail | Weight: | Part Number |
|--|------------------|-----------------|--------------|------------------------------|---------|---------------------|
| CM43994M Mercury, Mercruiser Plate | N/A | 38 x 79mm | - | 4 x 6mm at 66 & 35mm centres | 0.25kg | MGDCM43994M |
| CM821630C2M Mercury, Mercruiser Plate - Bravo 1, 2, 3 | N/A | 14 x 108mm | - | 2 x 10mm at 35mm centres | 0.26kg | Q091162 |
| CM821629M Mercury, Mercruiser Plate - Alpha 1, Alpha 2 Gen 2 | N/A | 16 x 73 x 191mm | 1/4"-20 UNC | 2 at 83mm centres | 0.20kg | MGDCM821629M |
| CM826134M Mercury, Mercruiser Wedge | N/A | 23 x 30mm | - | 1 x 6mm | 0.07kg | Q091177 |
| CM806105M Mercury, Mercruiser Bearing Carrier Alpha 1, Alpha Gen 2 | 85mm | 24mm | - | 2 x 4mm at 74mm centres | 0.23kg | MGDCM806105M |
| CM806190M Mercury, Mercruiser Lift Ram Horseshoe - Bravo | N/A | 51 x 46 x 51mm | - | 2 x 4mm at 38mm centres | 0.09kg | Q091163 |
| CM806189M Mercury, Mercruiser Lift Ram Horseshoe - Alpha | N/A | 14 x 44 x 49mm | - | 2 x 4mm at 38mm centres | 0.03kg | MGDCM806189M |
| CM762145M Mercury, Mercruiser Circular Plate Alpha | 92mm | 24mm | 7/16"-14 UNC | - | 0.08kg | MGDCM762145M |
| CM762144M Mercury, Mercruiser Circular Plate | 90mm | - | - | - | - | Q091164 |

MG DUFF

OMC, Johnson, Evinrude, Bombardier

Zinc - for salt water applications



Q090808



Q090705



Q090704



Q090979



Q090976



Q090817



Q090978

| Type | Outside Diameter | Part Number |
|---------------------------|-------------------------------|----------------|
| CM123009Z Small Block | Johnson | Q090808 |
| CM392123Z Half Moon | Johnson, OMC, Evinrude | Q090705 |
| CM392462Z Small horseshoe | Johnson, OMC, Evinrude | Q090704 |
| CM393023Z | Bombardier, Johnson, Evinrude | Q090979 |
| CM433580Z Power Trim Bar | OMC | Q090976 |
| CM982277Z Plate | OMC | Q090817 |
| CM984547Z Transom Cobra | OMC | Q090978 |

Magnesium - for fresh water applications



| Type | Outside Diameter | Part Number |
|----------------------|-------------------------------|---------------------|
| CM123009M Side Mount | Bombardier, Johnson, Evinrude | MGDCM123009M |



Volvo Penta Anode Kits

Zinc - for salt water applications



MGDCMDPHKITZ MGDCMDPSKITZ MGDCMV280DPKIT Q090715

| Type | Application | Includes Anode Part Numbers: | Part Number |
|-------------|------------------------|---|-----------------------|
| CMDPHKITZ | Volvo DPH Drive | CM3588745Z (x1), CM3863206Z (x1), Fixing Kit (x1) | MGDCMDPHKITZ |
| CMDPSKITZ | Volvo SX-A & DPS Drive | CM3841427Z (x1), CM3883728Z (x1), Fixing Kit (x1) | MGDCMDPSKITZ |
| CMV280DPKIT | Volvo 280DP Drive | CM832598Z (x1), CM875821Z (x1), Fixing Kit (x1) | MGDCMV280DPKIT |
| CMV290DPKIT | Volvo 290DP Drive | CM852835Z (x1), CM875821Z (x1), Fixing Kit (x1) | Q090715 |

Aluminium - for salt and brackish water applications



Q090792 Q091142 Q090793 Q090789 Q090791 Q090788 Q090790

| Type | Application | Includes Anode Part Numbers: | Part Number |
|--------------|------------------------|---|----------------|
| CMDPHKITA | Volvo DPH Drive | CM3588745A (x1), CM3863206A (x1), Fixing Kit (x1) | Q090792 |
| CMDPSKITA | Volvo SX-A & DPS Drive | CM3841427A (x1), CM3883728A (x1), Fixing Kit (x1) | Q091142 |
| CMSXKITA | Volvo SX Drive | CM3854130A (x1), CM3855411A (x1), Fixing Kit (x1) | Q090793 |
| CMV280KITA | Volvo 280 Drive | CM832598A (x1), CMV18A (x1), Fixing Kit (x1) | Q090789 |
| CMV290KITA | Volvo 290 Drive | CM852835A (x1), CMV18A (x1), Fixing Kit (x1) | Q090791 |
| CMV280DPKITA | Volvo 280DP Drive | CM832598A (x1), CM875821A (x1), Fixing Kit (x1) | Q090788 |
| CMV290DPKITA | Volvo 290DP Drive | CM852835A (x1), CM875821A (x1), Fixing Kit (x1) | Q090790 |

Magnesium - for fresh water applications



Q091143 MGDCMSXKITM Q090712 Q090713 Q090714

| Type | Application | Includes Anode Part Numbers: | Part Number |
|--------------|------------------------|---|--------------------|
| CMDPSKITM | Volvo SX-A & DPS Drive | CM3841427M (x1), CM3883728M (x1), Fixing Kit (x1) | Q091143 |
| CMSXKITM | Volvo SX Drive | CM3854130M (x1), CM3855411M (x1), Fixing Kit (x1) | MGDCMSXKITM |
| CMV280KITM | Volvo 280 Drive | CM832598M (x1), CMV18M (x1), Fixing Kit (x1) | Q090712 |
| CMV280DPKITM | Volvo 280 DP Drive | CM832598M (x1), CM875821M (x1), Fixing Kit (x1) | Q090713 |
| CMV290KITM | Volvo 290 Drive | CM852835M (x1), CMV18M (x1), Fixing Kit (x1) | Q090714 |



Volvo Penta Anodes Zinc - for salt water applications



Q091191



Q090840



Q090850



Q091195



Q090852



Q090853



Q090856



Q090862



Q090859



Q090927



Q090882



Q091167



Q090860



Q091198



Q090858



Q091117

| Type | Outside Diameter | H / W / L | Thread Size | Stud & Fixing detail | Weight: | Part Number |
|--|------------------|-----------------|-------------------|--------------------------|---------|----------------|
| CM832598Z Dog Bone for 250, 270, 275, 280, 285 series | N/A | 22 x 41 x 188mm | - | 2 x 6mm at 145mm centres | 0.95kg | Q091191 |
| CM838929Z Pencil for 200, 250, 270 series | 18mm | 43mm | 7/16" - 14 UNC M8 | - | 0.11kg | Q090840 |
| CMV15 (875810) Small Ring for 50, 100 series | 99 / 51mm | 11mm | - | 2 x 10mm at 67mm centres | 0.20kg | Q090850 |
| CMV16 (875809) Small Ring for 50, 200 series | 106 / 58mm | 10mm | - | 2 x 10mm at 79mm centres | 0.20kg | Q091195 |
| CMV17 (875805) Small Ring for 50, 250, 270, 275, 280, 285 series | 117 / 58mm | 10mm | - | 2 x 10mm at 79mm centres | 0.29kg | Q090852 |
| CMV18 (875815) Large Ring for 280, 290 E single drop series | 120 / 61mm | 34mm | - | 2 x 8mm at 61mm centres | 0.73kg | Q090853 |
| CM823661Z Pencil | 26mm | 43/53mm | 3/8" - 16 UNC | - | 0.14kg | Q090856 |
| CM875812Z for S Drive 110 series | - | 43 x 140mm | - | 4 x 5mm at 65mm centres | 0.92kg | Q090862 |
| CM852835Z Bar for Duo Prop 290 series | - | 26 x 46 x 136mm | - | 2 x 8mm at 86mm centres | 0.76kg | Q090859 |
| CM872793Z Triangle for 290, 290DP, SX, DP-X | - | 13 x 38 x 66mm | - | 1 x 5mm | 0.11kg | Q090927 |
| CM3854130Z Gimbal Plate for S, SX series | - | 47 x 80 x 96mm | - | 2 x 9mm at 51mm centres | 1.09kg | Q090882 |
| CM358407Z Ring for SD 130, 150 2002-2003 series | 108 / 45mm | 40mm | - | - | 1.48kg | Q091167 |
| CM851983Z Ring for S Drive 120 series | - | 27 x 96 x 124mm | - | 2 x 6mm at 73mm centres | 0.49kg | Q090860 |
| CM852018Z Bar for 110, 120, S-B, S-C series | - | 15 x 15 x 64mm | - | 1 x 4mm | 0.05kg | Q091198 |
| CM875821Z for Duo Prop 290 series | - | 29 x 145mm | - | 2 x 8mm at 92mm centres | 0.58kg | Q090858 |
| CM3858399Z Ring for folding prop | - | - | - | - | - | Q091117 |



Aluminium - for salt and brackish water applications



| Type | H / W / L | Stud & Fixing detail | Weight: | Part Number |
|-----------------------------|-----------------|-------------------------|---------|----------------|
| CM3883728A Cavitation Plate | 27 x 91 x 153mm | 2 x 8mm at 35mm centres | 0.5kg | Q091105 |

Magnesium - for fresh water applications



Q091157



Q091160



Q091159



MGDCM3855411M



MGDCM3854130M



Q091161

| Type | Outside Diameter | H / W / L | Thread Size | Stud & Fixing detail | Weight: | Part Number |
|--|------------------|------------------|-------------|--------------------------|---------|----------------------|
| CM832598M Dog Bone for 250, 270, 275, 280, 285 series | N/A | 22 x 41 x 188mm | - | 2 x 6mm at 145mm centres | 0.24kg | Q091157 |
| CMV18M [875815] Large Ring for 280, 290 E single drop series | 120mm / 61mm | 34mm | - | 2 x 8mm at 61mm centres | 0.18kg | Q091160 |
| CM852835M Bar for Duo Prop 290 series | - | 26 x 46 x 136mm | - | 2 x 8mm at 86mm centres | 0.19kg | Q091159 |
| CM3855411M Transom Plate for SX Drive | - | 37 x 103 x 145mm | 1/4"-20 UNC | 2 at 113mm centres | 0.25kg | MGDCM3855411M |
| CM3854130M Gimbal Plate for S, SX series | - | 47 x 80 x 96mm | - | 2 x 9mm at 51mm centres | 0.27kg | MGDCM3854130M |
| CM875821M for Duo Prop 290 series | - | 29 x 145mm | - | 2 x 8mm at 92mm centres | 0.15kg | Q091161 |



Yamaha Anodes

Zinc - for salt water applications



Q090966



Q090952



Q091194



Q091192



MGDCM272100200200



MGDCM272100200300



MGDMG80224

| Type | Outside Diameter | H / W / L | Thread Size | Stud & Fixing detail | Weight: | Part Number |
|---|------------------|----------------|-------------|----------------------|---------|--------------------------|
| CM6884537102Z Skeg for 50, 60, 70, 75, 80, 85 and 90HP. Also applicable for Parsun & Painier | 92mm | 77mm | M10 x 1.25 | - | 0.48kg | Q090966 |
| CM6884525101Z Button for 70 - 85HP. Also applicable to Mariner 40HP | 24mm | 14mm | - | 5mm | 0.03kg | Q090952 |
| CM61A4537100Z Skeg | 99mm | 91mm | M10 x 1.25 | - | 0.63kg | Q091194 |
| CM6E54525100Z Small Block | - | 23 x 23 x 47mm | - | 6mm | 0.14kg | Q091192 |
| CM272100200200 Pencil for 8 - 12HP | - | - | - | - | - | MGDCM272100200200 |
| CM272100200300 Pencil | - | - | - | - | - | MGDCM272100200300 |
| MG80224 Pencil | - | 20 x 39mm | - | - | - | MGDMG80224 |



Aluminium - for salt and brackish water applications

| Type | Outside Diameter | H / W / L | Thread Size | Weight: | Part Number |
|---------------|------------------|-----------|-------------|---------|----------------|
| CM6J94537100M | 100mm | 84mm | M10 x 1.25 | 0.13kg | Q091200 |

Yanmar Anodes

Zinc - for salt water applications



Q091112



Q091168

| Type | H / W / L | Stud & Fixing detail | Weight: | Part Number |
|---|------------------|------------------------------|---------|----------------|
| CM19642002652Z Sail Drive Ring for SD 20, 30, 40, 50 and 60 | 26 x 107 x 148mm | 4 x 6mm at 73 & 42mm centres | 0.85kg | Q091112 |
| CM19644002660Z Sail Drive Ring for SD 20, 30, 31, 40, 50 and 60 | 25 x 102 x 145mm | 2 at 125mm centres | 0.78kg | Q091168 |



Jerry Cans

- ◆ For petrol and diesel
- ◆ UN certification for petrol, diesel and other hazardous goods
- ◆ Fulfills the highest safety requirements
- ◆ TUV tested production
- ◆ Includes: spout and undetachable child safety screw cap



HUN811560



HUN812873



HUN813530



HUN811400



HUN812800



HUN813530

| Type | Colour | Capacity | H / W / L | Part Number |
|--------|--------|----------|-------------------|------------------|
| Petrol | Red | 5L | 247 x 265 x 147mm | HUN811560 |
| Petrol | Red | 10L | 324 x 333 x 164mm | HUN812873 |
| Petrol | Red | 20L | 435 x 365 x 178mm | HUN813530 |
| Diesel | Black | 5L | 247 x 265 x 147mm | HUN811400 |
| Diesel | Black | 10L | 324 x 333 x 164mm | HUN812800 |
| Diesel | Black | 20L | 435 x 365 x 178mm | HUN813500 |



2 in 1 Funnel

- ◆ Specially designed 'dual purpose' funnel
- ◆ Remove spout screw cap to use as a funnel
- ◆ Add screw cap and hold by spout to use as a bailer
- ◆ Plastic design
- ◆ Hi-vis orange



| Length | Capacity | Part Number |
|--------|----------|----------------|
| 280mm | 1 litre | Q007590 |

Fuel Line Adapter for AquaMarine Jerry Cans

- ◆ Quick, safe, practical
- ◆ Ideal for direct supply of fuel to engines and generators
- ◆ Saves additional refuelling by transferring one tank to another
- ◆ Screws in place of the cap on the Jerry can - barb connection for outboard fuel line
- ◆ Hazard-free fuelling



| Suitable for: | Part Number |
|-----------------------------|------------------|
| 5, 10 & 20 litre jerry cans | HUN810000 |

Funnels

- ◆ Extensive range of sizes to suit all applications
- ◆ Ideal for fuelling operations
- ◆ Minimises the risk of spilling fuel - safer and better for the environment
- ◆ Resistant to acids, alkalis and other chemicals



| Type | Colour | Opening | Spout Hose | Dimensions | Temp range | Part Number |
|--|---------------|---------|--|-------------------|----------------|-------------------|
| Small - Standard - Fracture proof polyethylene (HD-PE) - with hanging eyelet | Clear | 120mm | None | 145.5 x 120mm | -20°C to +70°C | HUN950500 |
| Medium - Standard - Fracture proof polyethylene (HD-PE) - with hanging eyelet | Clear | 140mm | None | 166.8 x 140mm | -20°C to +70°C | HUN950600 |
| Large - with Anti-Splash collar and filter | Hi Vis Orange | 150mm | None | 240 x 150mm | - | TRP0000100 |
| Large - with overflow rim, flexi spout and filter - Fracture proof polyethylene (HD-PE) - with hanging eyelet | Red & Black | 210mm | 460mm LD-PE convoluted tube | 159 x 210mm | - | HUN953500 |
| Large - with Anti-Splash collar, integrated long angled spout, filter and handle - Fracture proof polyethylene (HD-PE) | Hi Vis Red | 205mm | None | 322 x 205mm | - | HUN955200 |
| Heavy Duty - with overflow rim, detachable flexi spout, brass filter and handle - tin plated steel with HD-PE spout | Bright tin | 160mm | 300mm tin plated convoluted tube with HD-PE ends | 225 x 165 x 200mm | - | HUN490020 |





Big-Joe Portable Fuel Tanks

- ◆ Outboard fuel tanks
- ◆ Designed for remote connection direct to outboard engine
- ◆ Barbed hose connection for fuel pick up on top of tank
- ◆ Vented filler cap
- ◆ Tank moulding features ridge in bottom to provide a fuel reserve
- ◆ Moulded in handle for easy lifting and carrying when off the boat



TRN0112003

Q006530

Q006526

| Capacity | Dimensions | Part Number |
|-----------------------------------|-------------------|-------------------|
| 12 litre | 220 x 460 x 260mm | TRN0112003 |
| 22 litre | 235 x 540 x 320mm | Q006530 |
| Replacement cap for Big-Joe tanks | | Q006526 |



Portable Fuel Tanks

- ◆ Outboard fuel tanks
- ◆ Designed for remote connection direct to outboard engine
- ◆ Manually vented filler cap
- ◆ Universal 1/4" NPT fuel pick up on top of tank
- ◆ Tank moulding features ridge in bottom to provide a fuel reserve
- ◆ Moulded in handle for easy lifting and carrying when off the boat
- ◆ Meets ABYC standards
- ◆ ISO and CSA certified



Q065144

Q065145

| Capacity | Dimensions | Weight | Part Number |
|-------------|-------------------|--------|----------------|
| 11.35 litre | 229 x 432 x 248mm | 1.81kg | Q065144 |
| 24.6 litre | 267 x 552 x 375mm | 3.18kg | Q065145 |

Ultra Portable Fuel Tanks with level gauge

- ◆ Outboard fuel tanks
- ◆ Designed for remote connection direct to outboard engine
- ◆ Integrated fuel level gauge on top of tank for fast visual indication of remaining fuel
- ◆ Low profile design for easier under seat stowage
- ◆ 2 stage self-venting cap that meets EPA/CARB requirements
- ◆ Reserve fuel area is moulded into tank - when tank runs low, tilt the tank and the reserve supply becomes available
- ◆ 90° fuel withdrawal assembly which rotates 360° to reduce fuel line resistance and kinks
- ◆ EPA/CARB-compliant made from HD PE with UV inhibitors
- ◆ Meets 'low permeation' standards put in place by the US EPA/CARB regulations effective 1/1/2011

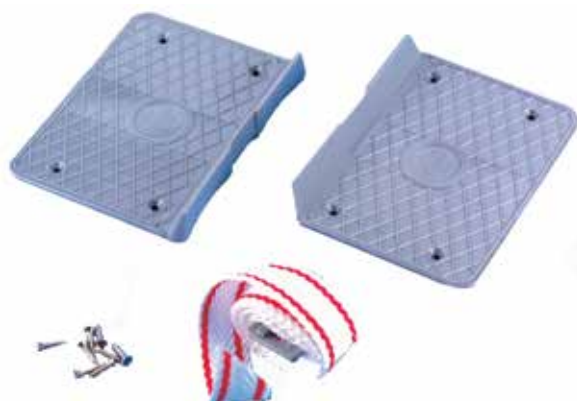


| Capacity | Dimensions | Weight | Part Number |
|------------|-------------------|--------|----------------|
| 24.6 litre | 254 x 540 x 343mm | 3.18kg | Q065111 |



Universal Hold down kit for portable fuel tanks

- ◆ Double bracket for fixing down portable fuel tanks and batteries
- ◆ Manufactured in plastic to eliminate corrosion
- ◆ Supplied with webbing belt and bracket fixings



| Capacity | Dimensions | Part Number |
|---------------|-------------|----------------|
| Universal kit | 155 x 115mm | Q006661 |



Replacement cap kit for Scepter portable fuel tanks

- ◆ Self venting caps for Scepter portable tanks
- ◆ Includes screw cap, stopper and vent cap

Q065183



45 litre Fuel Tank

- ◆ Designed to be fixed in and refuelled in position
- ◆ Moulded tank in ribbed design for extra rigidity and strength
- ◆ Designed for remote connection direct to engine
- ◆ Manually vented filler cap
- ◆ Universal 1/4" NPT fuel pick up on top of tank
- ◆ Integrated fuel level gauge on top of tank for fast visual indication of remaining fuel
- ◆ 90° fuel withdrawal assembly which rotates 360° to make fitting easy
- ◆ Meets ABYC standards
- ◆ ISO and CSA certified



| Capacity | Dimensions | Weight | Part Number |
|----------|-------------------|--------|----------------|
| 45 litre | 345 x 572 x 363mm | | Q065174 |



70 litre Fuel Tank

- ◆ Designed to be fixed in and refuelled in position
- ◆ Moulded tank in ribbed design for extra rigidity
- ◆ Barbed hose connection for fuel pick up on top of tank
- ◆ Vented filler cap
- ◆ Removable plate for addition of fuel level sender



| Capacity | Dimensions | Weight | Part Number |
|----------|-------------------|--------|-------------------|
| 70 litre | 300 x 800 x 350mm | 6.4kg | TRN0130075 |

Mechanical Tank Gauges

- ◆ Swingarm design with mechanical action
- ◆ Provides direct sight gauge on the top of the fuel tank
- ◆ No wiring or remote connection
- ◆ Universal 5 hole mounting plate allows for updating existing tank installations
- ◆ Simple to fit - easy to use



| Type | Packed Dimensions | Weight | Part Number |
|---|-------------------|--------|--------------------|
| Tank depth up to 203mm / 8" | 432 x 152 x 76mm | 0.27kg | MOE03575110 |
| Tank depth up to 254mm / 10" | 432 x 152 x 76mm | 0.22kg | MOE03575210 |
| Tank depth up to 300mm / 11 ³ / ₄ " | 432 x 152 x 76mm | 0.22kg | MOE03575310 |
| Tank depth up to 356mm / 14" | 432 x 152 x 76mm | 0.27kg | MOE03575510 |

Below Deck Fuel Tanks

- ◆ Below deck fuel tanks ideally suited for 'build-in' applications
- ◆ The smaller capacity tanks can also be retrofitted - dependent on the access to below deck location area
- ◆ Tanks have a fill, vent, withdrawal / pick-up, label and sender unit as standard



M0E032514



Q014240



Q014241



Q065188



Q065178

| Capacity | Dimensions | Weight | Part Number |
|-----------|---------------------------|---------|------------------|
| 53 Litre | 476 H x 298 W x 457 L mm | 4.4kg | M0E032514 |
| 102 Litre | 368 H x 406 W x 927 L mm | 7.72kg | Q014240 |
| 102 Litre | 200 H x 622 W x 1245 L mm | 10.45kg | Q014241 |
| 132 Litre | 273 H x 419 W x 1778 L mm | 12.27kg | Q065188 |
| 220 Litre | 476 H x 546 W x 1118 L mm | 15kg | Q065178 |

NOTE - additional large size tanks are available to special order - please contact the Bainbridge Sales Office for more information

Fuel Pick-Up for Fuel Tanks

- ◆ Replacement part for Moeller and other tanks
- ◆ Replaces the fuel pick-up point on the top of the tank - used for fuel withdrawal from the tank
- ◆ OEM Certified



| Type | Pick Up Tube | Fitting | Part Number |
|-----------|---------------------|--------------------|----------------|
| 033500-12 | 300mm in 3/8" Nylon | 1/4" NPT aluminium | Q065213 |

Flexible Pick-Up for Fuel Tanks

- ◆ Replacement part for Moeller and other tanks
- ◆ Replaces the fuel pick-up point on the top of the tank - used for fuel withdrawal from the tank
- ◆ Clever design with integrated spiral helix inside tube ensures it will not kink and stay in place - even in shaped / shallow tanks
- ◆ Pipe swaged onto threaded head



| Type | Pick Up Tube | Fitting | Part Number |
|-----------|---------------------|--------------------|----------------|
| 635022-10 | 914mm in 3/8" Nylon | 1/4" NPT aluminium | Q065217 |





Tank Vents

- ◆ For use when venting a below deck / built-in fuel tank
- ◆ Allows the tank to vent as temperature and atmospheric conditions change
- ◆ Allows free flow of fuel as the engine requires it
- ◆ Chrome plate on brass
- ◆ Supplied with threaded collar and nut for fixing through the boat structure

| Type | For hose | Part Number |
|---------------------|---------------------|----------------|
| Straight - Barbed | 1/2" Inner Diameter | Q002258 |
| Straight - Threaded | 15mm thread | Q002259 |
| 90° Elbow - Barbed | 1/2" Inner Diameter | Q002260 |



Q002258



Q002260



Q002259



P-Trap Vent

- ◆ P-Trap allows air to vent freely during normal sea conditions and washdowns
- ◆ Tested and certified by a third party testing lab to ensure that no liquid water will reach a fuel vent line, carbon cannister or tank
- ◆ Cover can be removed for vent inspection, debris removal and fuel system pressure testing
- ◆ Meets ABYC H-24 watertight and weathertight specification
- ◆ 2 year warranty



| Type | For Hull Thickness | Style | Installation hole | Vent Hose Diameter | Part Number |
|-----------------|--------------------|-------------|-------------------|--------------------|---------------|
| Stainless Steel | 6.35 - 25.4mm | Flush Mount | 35mm | 5/8" / 16mm | AT1674 |

Topside EPA Fuel Line

- ◆ Fuel line hose for fuel system rigging
- ◆ B1 hoses are designed for above deck applications
- ◆ Supplied in bulk reels for maximum economy

- ◆ Type B1-1S SAE J1527 ISO 8496 B1
- ◆ CE Approved
- ◆ NMMA type accredited ABYC-H-24



Q065192



Q065191



| Type | Outer Diameter | Hose Clip Part No: | Reel Length | Part Number |
|----------------------|----------------|--------------------|-------------|----------------|
| 5/16" Inner Diameter | 12mm | Q007230 | 30.5 metres | Q065192 |
| 3/8" Inner Diameter | 15mm | Q007230 | 30.5 metres | Q065191 |



Worm-Drive Marine Quality Hose Clips

| Size mm | No in pack | No |
|-------------------------|------------|----------------|
| L W4 8-16mm | 10 | Q007230 |
| L W4 12-22mm | 10 | Q007231 |
| L W4 16-27mm | 10 | Q007232 |
| S W4 20-32mm | 10 | Q007233 |
| S W4 25-40mm | 10 | Q007234 |
| S W4 32-50mm | 10 | Q007235 |
| Hose Clips S W4 40-60mm | 10 | Q007236 |
| Hose Clips S W4 50-70mm | 10 | Q007237 |



EPA & CARB Compliant Fuel Line

- ◆ Fuel line hose for fuel system rigging
- ◆ Ideal for fuel supply lines and venting systems
- ◆ A1 -15 hose - designed for fuel feed lines in below deck applications and feature a fire resistant covering on the outside. They also feature the lowest permeability rating and are designed to have fuel in them at all times - even when the boat is not in operation
- ◆ The #365 series exceeds ABYC h-24 & H-33, SAE J152, ISO 7840, UCSG Type A1 - 15; CARB Executive order and EPA certified low permeation Type A1-15; and is NMMA Type accepted and CE certified
- ◆ This hose is built with the best fuel, fire and age resistant formulation
- ◆ Unique "barrier liner" on the inside surface of the tube, so fuel is not in contact with the rubber
- ◆ Provides extraordinary resistance to fuel permeation, ageing and also to fire, heat, cold and the ozone
- ◆ Has excellent bendability
- ◆ Traditional black outer



| Tube | Cover | Reinforcement | Temp range |
|----------------------------|-----------------|--------------------|----------------|
| Nylon internal barrier NBR | NBR / PVC Blend | Polyester 2 spiral | -28°C to 100°C |
| Inner Dia | Length M | Part Number | |
| 6mm / 1/4" | 15.24 | TRI3650146 | |
| 6mm / 1/4" | 30.48 | TRI3650147 | |
| 8mm / 5/16" | 15.24 | TRI3650566 | |
| 8mm / 5/16" | 30.48 | TRI3650567 | |
| 10mm / 3/8" | 15.24 | TRI3650386 | |
| 10mm / 3/8" | 30.48 | TRI3650387 | |
| 16mm / 5/8" | 15.24 | TRI3650586 | |

Premium Fuel Fill Hose

- ◆ Fuel fill hose for fuel tank rigging
- ◆ Ideal for connection between deck filler and tank
- ◆ A2 Fuel Tank / Vent hose for petrol (including ethanol blends) and diesel (including bio diesel blends) - designed for use below deck, A2 hose is not designed to have fuel sitting in the hose at all times - but is ideal for fill and vent applications. It features a fire resistant covering on the outside of the hose
- ◆ Thick wall with smooth tube and cover with spring steel helix reinforcement
- ◆ The #327 series exceeds ABYC H-24 & H-33, SAE J1527, ISO 7840, & USCG Type A2; and is NMMA Type Accepted, CE Certified and Lloyds Registry Type approved
- ◆ This hose is built with the best fuel, fire and age resistant formulation
- ◆ Provides extraordinary resistance to ageing, fire, heat, cold and the ozone
- ◆ Has excellent bendability
- ◆ Black outer with red stripe



| Tube | Cover | Reinforcement | Temp range |
|----------------------------|------------------|--|----------------|
| Nylon internal barrier NBR | NBR / EPDM Blend | High Tenacity Polyester 2 spiral, Spring Steel Helix | -20°C to 100°C |
| Inner Dia | Length M | Part Number | |
| 19mm / 3/4" | 7.62 | TRI3270345 | |
| 25mm / 1" | 7.62 | TRI3271005 | |



Corrugated Fuel Fill Hose

- ◆ Fuel fill hose for fuel tank rigging
- ◆ Ideal for connection between deck filler and tank
- ◆ A2 Fuel Tank / Vent hose for petrol (including ethanol blends) and diesel (including bio diesel blends) - designed for use below deck, A2 hose is not designed to have fuel sitting in the hose at all times - but is ideal for fill and vent applications. It features a fire resistant covering on the outside of the hose
- ◆ Thick wall with corrugated tube and cover with spring steel helix reinforcement
- ◆ The #329 series exceeds ABYC H-24 & H-33, SAE J1527, ISO 7840, & USCG Type A2; and is NMMA Type Accepted, CE Certified and Lloyds Registry Type approved
- ◆ This hose is built with the best fuel, fire and age resistant formulation
- ◆ Provides extraordinary resistance to ageing, fire, heat, cold and the ozone
- ◆ Has extraordinary flexibility and bend radius
- ◆ Black outer with red stripe



| Tube | Cover | Reinforcement | Temp range |
|----------------------------------|---------------------|---|---------------------|
| Nylon internal barrier NBR | NBR / EPDM Blend | High Tenacity Polyester 2 spiral, Spring Steel Helix | -20°C to 100°C |
| Inner Dia | | Length M | Part Number |
| 38mm / 1 1/2" | | 3.81 | TRI32911241B |
| 38mm / 1 1/2" | | 7.62 | TRI3291125 |

The Moeller range of OEM compatible replacement fuel lines offers an impressive selection which serves 95% of the outboard applications in the market today.

Our specially selected range is tailored to the UK market and offers complete, ready to go fuel lines for the majority of engines in use in UK waters.

The range is catalogued in engine manufacturer order.



Honda

- ◆ Fully assembled fuel line with pull back clip on outboard fitting, primer bulb in middle and open end for fitting to the fuel tank - all manufactured to OEM specification for replacement parts
- ◆ For Honda Outboards manufactured in and after 1991
- ◆ Requires either Honda 1/4" NPT tank fitting (Q065156) or Honda 3/8" fuel line tank connector (Q065131) depending on your application
- ◆ Primer bulb features solvent-resistant construction, stainless steel clamps and dual internal check valves for rapid priming and reducing fuel flow back to the tank
- ◆ High quality stainless steel outboard fitting with pliable internal O-ring seals ensures safe, leak free operation
- ◆ Supplied in attractive retail packaging for display in store



| Moeller Number | Hose Inner Diameter | Total Line length | Packed Dimensions | Weight | Part Number |
|----------------|---------------------|-------------------|-------------------------|--------|--------------------|
| 034386-10 | 3/8" | 2032mm / 6'6"ft | 343 H x 64 W x 184 L mm | 0.54kg | MOE03438610 |

Johnson / Evinrude / Bombardier

- ◆ Fully assembled fuel line with correct outboard, primer bulb in middle and correct fuel tank fitting - all manufactured to OEM specification for replacement parts
- ◆ Primer bulb features solvent-resistant construction, stainless steel clamps and dual internal check valves for rapid priming and reducing fuel flow back to the tank
- ◆ High quality, easy clip on outboard fittings in acetal and metal with pliable internal O-ring seals ensures safe, leak free operation
- ◆ Supplied in attractive retail packaging for display in store



| Moeller Number | Hose Inner Diameter | Total Line length | Packed Dimensions | Weight | Part Number |
|----------------|---------------------|-------------------|-------------------------|--------|----------------|
| 034391-10 | 3/8" | 2032mm / 6'6"ft | 343 H x 64 W x 184 L mm | 0.54kg | Q065117 |

Mercury / Mariner

- ◆ Fully assembled fuel line with male bayonet fitting, primer bulb in middle and female bayonet fitting - all manufactured to OEM specification for replacement parts
- ◆ For Mercury / Mariner engines manufactured prior to 1997
- ◆ Primer bulb features solvent-resistant construction, stainless steel clamps and dual internal check valves for rapid priming and reducing fuel flow back to the tank
- ◆ High quality, cast aluminium bayonet fittings with pliable internal O-ring seals ensures safe, leak free operation
- ◆ Supplied in attractive retail packaging for display in store



| Moeller Number | Hose Inner Diameter | Total Line length | Packed Dimensions | Weight | Part Number |
|----------------|---------------------|-------------------|-------------------------|--------|--------------------|
| 034388-10 | 3/8" | 2032mm / 6'6"ft | 343 H x 64 W x 184 L mm | 0.54kg | MOE03438810 |

Mercury, Mariner

- ◆ Fully assembled fuel line with correct outboard, primer bulb in middle and correct fuel tank fitting - all manufactured to OEM specification for replacement parts
- ◆ For Mercury / Mariner engines manufactured from 1998 to current
- ◆ Primer bulb features solvent-resistant construction, stainless steel clamps and dual internal check valves for rapid priming and reducing fuel flow back to the tank
- ◆ High quality, easy clip on outboard fittings in acetal and metal with pliable internal O-ring seals ensures safe, leak free operation
- ◆ Supplied in attractive retail packaging for display in store



| Moeller Number | Hose Inner Diameter | Total Line length | Packed Dimensions | Weight | Part Number |
|----------------|---------------------|-------------------|-------------------------|--------|----------------|
| 034385-10 | 3/8" | 2032mm / 6'6"ft | 343 H x 64 W x 184 L mm | 0.54kg | Q065153 |

Yamaha

- ◆ Fully assembled fuel line with correct outboard, primer bulb in middle and correct fuel tank fitting - all manufactured to OEM specification for replacement parts
- ◆ For Yamaha outboard engines
- ◆ Requires the Yamaha 1/4D NPT brass male tank connector (033470-10) and tank connector (033481-10)
- ◆ Primer bulb features solvent-resistant construction, stainless steel clamps and dual internal check valves for rapid priming and reducing fuel flow back to the tank
- ◆ High quality, easy clip on outboard fittings in acetal and metal with pliable internal O-ring seals ensures safe, leak free operation
- ◆ Supplied in attractive retail packaging for display in store



| Moeller Number | Hose Inner Diameter | Total Line length | Packed Dimensions | Weight | Part Number |
|----------------|---------------------|-------------------|-------------------------|--------|----------------|
| 034394-10 | 3/8" | 2032mm / 6'6"ft | 343 H x 64 W x 184 L mm | 0.54kg | Q065119 |

OE Quality Universal Fuel Lines

- ◆ Assembled fuel line with hose and factory pressed hose clips on to the primer bulb - located in the hose line - manufactured to OEM specification for replacement parts
- ◆ For all engine types - select based on the inner diameter of your outboard fuel line
- ◆ Requires outboard and tank fittings to be made off on the hose line - these fittings can be selected from the extensive range - matched to the exact specification of your application
- ◆ Primer bulb features solvent-resistant construction, stainless steel clamps and dual internal check valves for rapid priming and reducing fuel flow back to the tank
- ◆ Supplied in attractive retail packaging for display in store



| Moeller Number | Hose Inner Diameter | Total Line length | Packed Dimensions | Weight | Part Number |
|----------------|---------------------|-------------------|-------------------------|--------|--------------------|
| 034395-10 | 5/16" | 1800mm / 6ft | 343 H x 64 W x 184 L mm | 0.54kg | MOE03439510 |
| 034390-10 | 3/8" | 1800mm / 6ft | 343 H x 64 W x 184 L mm | 0.54kg | Q065116 |
| 033389-10 | 3/8" | 3657mm / 12ft | 343 H x 95 W x 190 L mm | 0.81kg | MOE03338910 |

Universal Primer Bulbs

- ◆ For use in fuel feed lines for outboard motors
- ◆ Petrol, Ethanol and solvent resistant construction
- ◆ Maximum flow for improved engine performance
- ◆ Stainless steel Oetiker clamps ensure barbs are tightly secured to the flexible bulb
- ◆ Dual internal check valves ensure rapid priming - the check valves eliminate fuel flow back to the tank
- ◆ Available in 5/16" and 3/8" inner diameter



| Moeller Number | Hose Inner Diameter | Packed Dimensions | Weight | Part Number |
|----------------|---------------------|-------------------------|--------|----------------|
| 034690-10 | 5/16" | 114 H x 51 W x 197 L mm | 0.09kg | Q065190 |
| 034590-10 | 3/8" | 114 H x 51 W x 197 L mm | 0.09kg | Q065115 |




Universal Fuel Line

- ◆ Assembled fuel line with hose and factory pressed hose clips on to the primer bulb
- ◆ For outboard engines with a 3/8" inner diameter fuel feed hose
- ◆ Requires outboard and tank fittings to be made off on the hose line - these fittings can be selected from our extensive range - matched to the exact specification of your application



| Moeller Number | Hose Inner Diameter | Total Line length | Packed Dimensions | Weight | Part Number |
|----------------|---------------------|-------------------|-------------------|--------|----------------|
| N0100028 | 3/8" | 2000mm | | 0.37kg | Q007065 |



| | Page | Application | Style | Position | Mates with | For Fuel Line Diameter | Replaces OE # | Part Number |
|---|------|--|---------------|-----------------------------------|-------------------|------------------------|---------------------------------------|---------------------|
| Honda | | | | | | | | |
|  | 101 | Pre 1991 models | Male | Threads into Tank | Q065157 | 3/8" | 16977-ZV5-900 | Q065155 |
|  | 101 | Pre 1991 models | Female | Connects to tank fitting | Q065155 | 3/8" | - | Q065157 |
|  | 101 | Post 1991 models | Male | Threads into Tank | Q065158 | 3/8" | 16977-ZV5-A00 | Q065156 |
|  | 101 | Post 1991 models | Female | Connects to tank fitting | Q065156 | 3/8" | 17660-ZW9-003 | Q065158 |
|  | 101 | Pre 2001 BF5 / BF6 / BF8A models with round locking post. Was also used to fit 5HP models up to 2011 | Double Female | Connects to Engine | N/A | 3/8" | 17650-921-003ZB | Q065131 |
|  | 102 | Post 2001 BF8D-BF225 models with rectangular locking post. BF5 models from 2011 onward | Double Female | Connects to Engine | N/A | 3/8" | - | Q065159 |
| Johnson / Evinrude / Bombardier / BRP | | | | | | | | |
|  | 102 | Johnson, Evinrude | Double Male | Threads into Tank / Engine | Q065128 / Q065127 | 3/8" or 5/16" | 502867 / 772681 | Q065126 |
|  | 102 | Johnson, Evinrude | Double Female | Connects to tank fitting / engine | Q065126 | 3/8" | 0775641 / 777352 | Q065128 |
|  | 102 | Johnson, Evinrude | Double Female | Connects to tank fitting / engine | Q065126 | 5/16" | 0775640 / 777346 | Q065127 |
| Mercury / Mariner | | | | | | | | |
|  | 103 | Post 1998 models with round locking post | Double Male | Threads into Tank | Q065166 | 3/8" | - | Q065165 |
|  | 103 | Post 1998 models with round locking post | Double Female | Connects to tank fitting | Q065165 | 3/8" | 22-13563Q7, 22-13563T7 | Q065166 |
|  | 103 | Post 1998 models with round locking post | Double Female | Connects to Engine | N/A | 3/8" | 22-13563Q3 | Q065154 |
|  | 103 | Old Style Bayonet Twist Lock | Male | Connects to tank fitting | MOE03341810 | 3/8" | 30185A3, 30185Q3 | Q065211 |
|  | 104 | Old Style Bayonet Twist Lock | Female | Connects to Engine | Q065211 | 3/8" | 22831A3, 22831Q3 | MOE03341810 |
| Nissan / Tohatsu | | | | | | | | |
|  | 104 | Engines up to 90HP | Male | Threads into Tank | MOE003345110 | 3/8" | - | MOE003345010 |
|  | 104 | Engines up to 90HP | Female | Connects to tank fitting / engine | MOE003345010 | 3/8" | 3B2702810M | MOE003345110 |
|  | 104 | 5 - 90HP 2 Stroke and TLDI models | Male | Threads into Tank | Q065136 | 3/8" | - | Q065135 |
|  | 104 | 5 - 90HP 2 Stroke and TLDI models | Female | Connects to tank fitting / engine | Q065135 | 3/8" | 3B2702501M, 3GF-70250-1 | Q065136 |
| Suzuki | | | | | | | | |
|  | 105 | 11mm diameter nipple - with O ring | Male | Threads into Tank | Q065168 | 3/8" | 99105-00192 | Q065132 |
|  | 105 | For 11mm diameter nipple - with O ring | Female | Connects to tank fitting / engine | Q065132 | 3/8" | 65750-98505 | Q065168 |
|  | 105 | 13mm diameter nipple | Male | Threads into Tank | Q065134 / Q065133 | 3/8" or 5/16" | 65740-95500, 99105-00193 | Q065167 |
|  | 105 | For 13mm diameter nipple | Female | Connects to tank fitting / engine | Q065167 | 3/8" | 65750-95510, 65750-95500, 17461-94520 | Q065134 |
|  | 105 | For 13mm diameter nipple | Female | Connects to tank fitting / engine | Q065167 | 5/16" | - | Q065133 |
| Yamaha | | | | | | | | |
|  | 106 | 1984 onward models with round locking post | Double Male | Threads into Tank | Q065131 / Q065130 | 3/8" or 5/16" | - | Q065129 |
|  | 106 | Allows use of 3/8" fuel line with existing Yamaha tank fitting | Double Female | Connects to tank fitting / engine | Q065129 | 3/8" | - | Q065131 |
|  | 106 | 1989 onward, over 90HP for 8mm fuel lines (5/16") | Double Female | Connects to tank fitting / engine | Q065129 | 5/16" | 6E5-24305-05, 6Y2-24305-05 | Q065130 |



OE Quality Engine Specific Fuel Fittings

- ◆ Tank and engine fittings designed to be OEM compliant and fit outboard engines in use today
- ◆ Constructed from durable chrome plated brass / high quality acetal and metal
- ◆ Features pliable o-ring seals to ensure safe, leak free operation
- ◆ OEM Certified

HONDA - Pre 1991 Models

1/4" NPT



3/8" Barb

Male Tank Fitting

- ◆ Threads onto fuel withdrawal on tank
- ◆ Replaces OE # 16977-ZV5-900

| Moeller Number | Packed Dimensions mm | Weight | Part Number |
|----------------|----------------------|--------|----------------|
| 033501-10 | 146 H x 32 W x 57 L | 0.04kg | Q065155 |

Female Tank Connector

- ◆ Connects tank fitting to fuel line

| Moeller Number | Packed Dimensions mm | Weight | Part Number |
|----------------|----------------------|--------|----------------|
| 033502-10 | 146 H x 32 W x 57 L | 0.04kg | Q065157 |

HONDA - Post 1991 Models

1/4" NPT



3/8" Barb

Male Tank Fitting

- ◆ Threads onto fuel withdrawal on tank
- ◆ Replaces OE # 16977-ZV5-A00

| Moeller Number | Packed Dimensions mm | Weight | Part Number |
|----------------|----------------------|--------|----------------|
| 033496-10 | 146 H x 32 W x 57 L | 0.04kg | Q065156 |

Female Tank Connector

- ◆ Connects tank fitting to fuel line
- ◆ Replaces OE # 17660-ZW9-003

| Moeller Number | Packed Dimensions mm | Weight | Part Number |
|----------------|----------------------|--------|----------------|
| 033498-10 | 146 H x 32 W x 57 L | 0.04kg | Q065158 |

HONDA - Pre 2001 Models with Round Locking Post

3/8" Barb



Female Engine Connector

- ◆ Attaches fuel hose to connect to the engine
- ◆ Replaces OE # 17650-921-003ZB

| Moeller Number | Packed Dimensions mm | Weight | Part Number |
|----------------|----------------------|--------|----------------|
| 033481-10 | 146 H x 32 W x 57 L | 0.04kg | Q065131 |

- ◆ Pre 2001 BF5 / BF6/ BF8A models with round locking post. Was also used to fit 5HP models up to 2011

HONDA - Post 2001 Models with Rectangular Locking Post

3/8" Barb



Female Engine Connector

- ◆ Attaches fuel hose to connect to the engine

- ◆ Post 2001 BF8D-BF225 models with rectangular locking post. BF5 models from 2011 onward

| Moeller Number | Packed Dimensions mm | Weight | Part Number |
|----------------|----------------------|--------|----------------|
| 033497-10 | 146 H x 44 W x 57 L | 0.04kg | Q065159 |

JOHNSON / EVINRUDE / BOMBARDIER / BRP

1/4" NPT



3/8" Barb

Male Engine / Tank Connector

- ◆ Threads onto tank withdrawal on tank
- ◆ Replaces OE # 502867 / 772681

Female Engine / Tank Connector

- ◆ Attaches fuel hose to male tank connector or to the outboard engine
- ◆ Replaces OE # 0775641 / 777352

| Moeller Number | Packed Dimensions mm | Weight | Part Number |
|----------------|----------------------|--------|----------------|
| 033400-10 | 146 H x 44 W x 57 L | 0.04kg | Q065126 |

| Moeller Number | Packed Dimensions mm | Weight | Part Number |
|----------------|----------------------|--------|----------------|
| 033480-10 | 146 H x 32 W x 57 L | 0.04kg | Q065128 |

JOHNSON / EVINRUDE / BOMBARDIER / BRP

1/4" NPT



5/16" Barb

Male Engine / Tank Connector

- ◆ Threads onto tank withdrawal on tank
- ◆ Replaces OE # 502867 / 772681

Female Engine / Tank Connector

- ◆ Attaches fuel hose to male tank connector or to the outboard engine
- ◆ Replaces OE # 0775640 / 777346

| Moeller Number | Packed Dimensions mm | Weight | Part Number |
|----------------|----------------------|--------|----------------|
| 033400-10 | 146 H x 44 W x 57 L | 0.04kg | Q065126 |

| Moeller Number | Packed Dimensions mm | Weight | Part Number |
|----------------|----------------------|--------|----------------|
| 033410-10 | 146 H x 32 W x 57 L | 0.04kg | Q065127 |

MERCURY / MARINER - Post 1998 models with round locking post



Male Tank Fitting

- ◆ Threads into fuel withdrawal on tank

| Moeller Number | Packed Dimensions mm | Weight | Part Number |
|----------------|----------------------|--------|----------------|
| 033477-10 | 146 H x 32 W x 57 L | 0.04kg | 0065165 |

Female Tank Connector

- ◆ Attaches fuel hose to male tank fitting
- ◆ Replaces OE # 22-13563Q7, 22-13563T7

| Moeller Number | Packed Dimensions mm | Weight | Part Number |
|----------------|----------------------|--------|----------------|
| 033486-10 | 146 H x 32 W x 57 L | 0.04kg | 0065166 |



Female Engine Connector

- ◆ Attaches fuel hose to connect to the engine
- ◆ Replaces OE # 22-13563Q3

| Moeller Number | Packed Dimensions mm | Weight | Part Number |
|----------------|----------------------|--------|----------------|
| 033482-10 | 146 H x 32 W x 57 L | 0.04kg | 0065154 |

MERCURY / MARINER - Bayonet Twist Lock Fittings



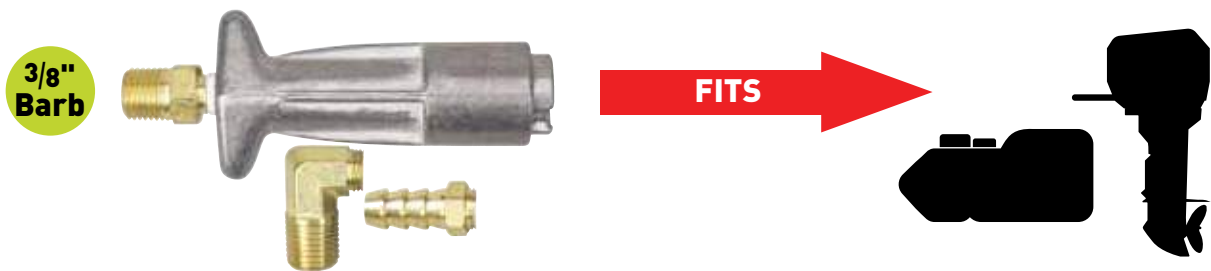
Male Bayonet Twist Lock Tank Connector

- ◆ Attaches to the fuel line to connect to the bayonet tank fitting
- ◆ Replaces OE # 30185A3, 30185Q3

| Moeller Number | Packed Dimensions mm | Weight | Part Number |
|----------------|----------------------|--------|----------------|
| 033421-10 | 210 H x 44 W x 57 L | 0.04kg | 0065211 |

- ◆ Features 1/4" NPT brass barbed hose tail for 3/8" ID hose for easy connection to fuel line

MERCURY / MARINER - Bayonet Twist Lock Fittings



Female Bayonet Twist Lock Engine Connector / Tank Fitting

- ◆ Attaches to the fuel line to connect to the engine / threads into fuel withdrawal on tank
- ◆ Replaces OE # 22831A3, 22831Q3
- ◆ Features combo connection kit which threads into the female 1/4" NPT thread to allow for multiple options when fitting to your fuel line: straight to 3/8" barb, straight to 3/8" NPT thread, 90° elbow to 3/8" barb

| Moeller Number | Packed Dimensions mm | Weight | Part Number |
|----------------|----------------------|--------|--------------------|
| 033418-10 | 210 H x 44 W x 57 L | 0.04kg | MOE03341810 |

NISSAN / TOHATSU - Engines up to 90HP



Male Tank Fitting

- ◆ Threads into fuel withdrawal on tank

| Moeller Number | Packed Dimensions mm | Weight | Part Number |
|----------------|----------------------|--------|---------------------|
| 033450-10 | 146 H x 32 W x 57 L | 0.04kg | MOE003345010 |

Female Engine / Tank Connector

- ◆ Attaches fuel hose to male tank fitting / connects with engine
- ◆ Replaces OE # 3B2702810M

| Moeller Number | Packed Dimensions mm | Weight | Part Number |
|----------------|----------------------|--------|---------------------|
| 033451-10 | 146 H x 32 W x 57 L | 0.04kg | MOE003345110 |

NISSAN / TOHATSU - 5 - 90HP 2 Stroke and TLDI models



Male Tank Fitting

- ◆ Threads into fuel withdrawal on tank

| Moeller Number | Packed Dimensions mm | Weight | Part Number |
|----------------|----------------------|--------|----------------|
| 033491-10 | 146 H x 32 W x 57 L | 0.04kg | Q065135 |

Female Engine / Tank Connector

- ◆ Attaches fuel hose to male tank fitting / connects with engine
- ◆ Replaces OE # 3B2702501M, 3GF-70250-1

| Moeller Number | Packed Dimensions mm | Weight | Part Number |
|----------------|----------------------|--------|----------------|
| 033492-10 | 146 H x 32 W x 57 L | 0.04kg | Q065136 |

SUZUKI - 11mm diameter nipple

1/4" NPT



3/8" Barb

Male Tank Fitting

- ◆ Threads into fuel withdrawal on tank
- ◆ Replaces OE # 99105-00192

| Moeller Number | Packed Dimensions mm | Weight | Part Number |
|----------------|----------------------|--------|----------------|
| 033463-10 | 146 H x 32 W x 57 L | 0.04kg | Q065132 |

Female Engine / Tank Connector

- ◆ Attaches fuel hose to male tank fitting / connects with engine
- ◆ Replaces OE # 65750-98505

| Moeller Number | Packed Dimensions mm | Weight | Part Number |
|----------------|----------------------|--------|----------------|
| 033488-10 | 146 H x 32 W x 57 L | 0.04kg | Q065168 |

SUZUKI - 13mm diameter nipple

1/4" NPT



3/8" Barb

Male Tank Fitting

- ◆ Threads into fuel withdrawal on tank
- ◆ Replaces OE # 65740-95500, 99105-00193

| Moeller Number | Packed Dimensions mm | Weight | Part Number |
|----------------|----------------------|--------|----------------|
| 033503-10 | 146 H x 32 W x 57 L | 0.04kg | Q065167 |

Female Engine / Tank Connector

- ◆ Attaches fuel hose to male tank fitting / connects with engine
- ◆ Replaces OE # 65750-95510, 65750-95500, 17461-94520

| Moeller Number | Packed Dimensions mm | Weight | Part Number |
|----------------|----------------------|--------|----------------|
| 033487-10 | 146 H x 32 W x 57 L | 0.04kg | Q065134 |

SUZUKI - 13mm diameter nipple

1/4" NPT



5/16" Barb

Male Tank Fitting

- ◆ Threads into fuel withdrawal on tank
- ◆ Replaces OE # 65740-95500, 99105-00193

| Moeller Number | Packed Dimensions mm | Weight | Part Number |
|----------------|----------------------|--------|----------------|
| 033503-10 | 146 H x 32 W x 57 L | 0.04kg | Q065167 |

Female Engine / Tank Connector

- ◆ Attaches fuel hose to male tank fitting / connects with engine

| Moeller Number | Packed Dimensions mm | Weight | Part Number |
|----------------|----------------------|--------|----------------|
| 033467-10 | 146 H x 32 W x 57 L | 0.04kg | Q065133 |

YAMAHA - 1984 Onward Models with Round Locking Post



1/4"
NPT

Male Tank Fitting

- ◆ Threads into fuel withdrawal on tank

| Moeller Number | Packed Dimensions mm | Weight | Part Number |
|----------------|----------------------|--------|----------------|
| 033470-10 | 146 H x 32 W x 57 L | 0.04kg | 0065129 |



3/8"
Barb

Female Engine / Tank Connector

- ◆ Attaches fuel hose to male tank fitting / connects with engine

| Moeller Number | Packed Dimensions mm | Weight | Part Number |
|----------------|----------------------|--------|----------------|
| 033481-10 | 146 H x 32 W x 57 L | 0.04kg | 0065131 |

YAMAHA - 1989 onward, over 90HP for 8mm / 5/16" fuel lines



1/4"
NPT

Male Tank Fitting

- ◆ Threads into fuel withdrawal on tank

| Moeller Number | Packed Dimensions mm | Weight | Part Number |
|----------------|----------------------|--------|----------------|
| 033470-10 | 146 H x 32 W x 57 L | 0.04kg | 0065129 |



5/16"
Barb

Female Engine / Tank Connector

- ◆ Attaches fuel hose to male tank fitting / connects with engine
- ◆ Replaces OE # 6E5-24305-05, 6Y2-24305-05

| Moeller Number | Packed Dimensions mm | Weight | Part Number |
|----------------|----------------------|--------|----------------|
| 033471-10 | 146 H x 32 W x 57 L | 0.04kg | 0065130 |

Hose Barbs

- ◆ These universal application connectors are offered in brass and aluminium, in a full range of sizes



Q065148



Q065196

| Moeller Number | Thread Diameter | Hose Inner Diameter | Material | Type | Packed Dimensions | Weight | Part Number |
|----------------|-----------------|---------------------|-----------|----------|------------------------|--------|--------------------|
| 033430-10 | 1/4" NPT | 5/16" | Brass | Standard | 146 H x 32 W x 57 L mm | 0.04kg | MOE03343010 |
| 033405-10 | 1/4" NPT | 3/8" | Brass | Standard | 146 H x 32 W x 57 L mm | 0.04kg | Q065148 |
| 033442-10 | 1/4" NPT | 3/8" | Aluminium | Standard | 146 H x 32 W x 57 L mm | 0.04kg | MOE03344210 |
| 033443-10 | 3/8" NPT | 3/8" | Aluminium | Standard | 146 H x 32 W x 57 L mm | 0.04kg | Q065196 |

Anti Siphon Valves

- ◆ Meets ABYC H-24 requirements and provide anti-siphon protection
- ◆ Combines anti-siphon protection with a convenient hose barb design
- ◆ For 200hp and under



Q065214



Q065140

| Moeller Number | Thread Diameter | Hose Inner Diameter | Material | Type | Packed Dimensions | Weight | Part Number |
|----------------|-----------------|---------------------|-----------|-------------|------------------------|--------|----------------|
| 033801-10 | 1/4" NPT | 3/8" | Aluminium | Anti-Siphon | 146 H x 32 W x 57 L mm | 0.04kg | Q065214 |
| 033802-10 | 3/8" NPT | 3/8" | Aluminium | Anti-Siphon | 146 H x 32 W x 57 L mm | 0.04kg | Q065140 |

Hose Menders

- ◆ For joining to hoses of the same inner diameter
- ◆ Supplied with two stainless steel hose clips



| Moeller Number | Hose Inner Diameter | Material | Packed Dimensions | Weight | Part Number |
|----------------|---------------------|----------|------------------------|--------|--------------------|
| 033212-10 | 5/16" | Brass | 146 H x 32 W x 57 L mm | 0.04kg | MOE03321210 |
| 033213-10 | 3/8" | Brass | 146 H x 32 W x 57 L mm | 0.04kg | MOE03321310 |

Brass Bulkheads



M0E03343510



M0E03321010

| Moeller Number | Thread Diameter | Material | Packed Dimensions | Weight | Part Number |
|----------------|-----------------|----------|------------------------|--------|--------------------|
| 033435-10 | 1/4" Female NPT | Brass | 146 H x 32 W x 57 L mm | 0.04kg | M0E03343510 |
| 033210-10 | 3/8" Barb | Brass | 146 H x 32 W x 57 L mm | 0.04kg | M0E03321010 |

90° Elbows



M0E03343610



M0E03343810



M0E03320610

| Moeller Number | Thread Diameter | Layout | Material | Packed Dimensions | Weight | Part Number |
|----------------|-----------------|---------------|----------|------------------------|--------|--------------------|
| 033436-10 | 1/4" NPT | Male / Female | Brass | 146 H x 32 W x 57 L mm | 0.04kg | M0E03343610 |
| 033438-10 | 1/4" NPT | Male / Male | Brass | 146 H x 32 W x 57 L mm | 0.04kg | M0E03343810 |
| 033206-10 | 1/4" NPT | Male / Female | Brass | 146 H x 32 W x 57 L mm | 0.04kg | M0E03320610 |

Shut Off Fuel Valves



| Moeller Number | Outlets | Layout | Material | Packed Dimensions | Weight | Part Number |
|----------------|---------|---------------------------|----------|------------------------|--------|----------------|
| 033303-10 | 2 way | 2 x Female 1/4" NPT Ports | Brass | 140 H x 70 W x 95 L mm | 0.09kg | Q065173 |

Tank Selection Valves

- ◆ Only allows fuel to flow from one tank at a time



| Moeller Number | Outlets | Layout | Material | Packed Dimensions | Weight | Part Number |
|----------------|---------------------|---------------------------|----------|------------------------|--------|----------------|
| 033302-10 | 3 Way | 3 x Female 1/4" NPT Ports | Brass | 140 H x 70 W x 95 L mm | 0.18kg | Q065137 |
| 033305-10 | 3 Way - with detent | 3 x Female 1/4" NPT Ports | Brass | 140 H x 70 W x 95 L mm | 0.18kg | Q065179 |

Universal Fuel Water Separator Kit

- ◆ Includes: filter head, sight bowl, filter canister and plugs for filter head
- ◆ Composite head for outboard applications
- ◆ 10 micron filtration



Q014232



Q014231

| Moeller Number | Model | Material | Packed Dimensions | Weight | Part Number |
|----------------|---|-----------|--------------------------|--------|----------------|
| 033314-10 | Complete Kit - 3/8" NPT Female Inlets / Outlets | Composite | 229 H x 108 W x 114 L mm | 0.81kg | Q014232 |
| 033315-10 | Replacement Canister | - | 108 H x 102 W x 102 L mm | 0.45kg | Q014231 |

OEM Specific Fuel Water Separator Kit

- ◆ Designed for Mercury, BRP (Johnson & Evinrude), Yamaha, Suzuki, Honda, Tohatsu and Nissan Engines
- ◆ Can also be used as a universal application
- ◆ Includes: filter head, filter canister, barbs and plugs for filter head
- ◆ Powder coated cast aluminium filter head
- ◆ 10 micron filtration



Q037988



Q037989

| Moeller Number | Model | Material | Packed Dimensions | Weight | Part Number |
|----------------|----------------------|------------------------------|--------------------------|--------|----------------|
| 033320-10 | Complete Kit | Cast Aluminium Powder Coated | 229 H x 102 W x 159 L mm | 0.81kg | Q037988 |
| 033324-10 | Replacement Canister | - | 99 H x 95 W x 95 L mm | 0.45kg | Q037989 |

Universal Clear View In-Line Fuel Filter

- ◆ Heavy duty metal and clear tube housing for replaceable filters
- ◆ Supplied with filter and 1/4", 5/16" & 3/8" OD barbs
- ◆ 20 micron filtration
- ◆ Not for use on inboard engines



Q065149



Q065150

| Moeller Number | Model | Packed Dimensions | Weight | Part Number |
|--|-----------------------|-------------------------|--------|----------------|
| 033319-10 | Complete Kit | 152 H x 44 W x 108 L mm | 0.09kg | Q065149 |
| Replacement Filters for Q065149 | | | | |
| 033318-10 | 3 Replacement Filters | 152 H x 44 W x 108 L mm | 0.04kg | Q065150 |

Universal Dash Mount Gauge

- ◆ Will operate from an existing sender unit from the following US manufacturers: Moeller, Faria, Vee-Three, Teleflex, Tempo, Westerbeke, Universal and Stewart Warner
- ◆ These senders can be of the swing arm, WEMA reed sensor or Mechanical Sensor with electric conversion capsule
- ◆ Calibrated to the industry standard of 33-240 Ohms



| Moeller Number | Model | Packed Dimensions | Weight | Part Number |
|----------------|---------------------------------------|-------------------|--------|----------------|
| 035727-10 | Dash mounted electric fuel gauge type | | | Q065198 |

Universal Electric Sender Unit for Fuel Tanks

- ◆ Will operate an existing dash mounted fuel gauge from the following US manufacturers: Moeller, Faria, Vee-Three, Teleflex, Tempo, Westerbeke, Universal and Stewart Warner
- ◆ Calibrated to the industry standard of 33-240 Ohms
- ◆ Features a simple to install swing arm gauge in the standard 5 hole 'blank' on top of all universal fuel tanks
- ◆ Allows the fitter to make the swingarm float to the exact length for the tank to give accurate fuel level reading
- ◆ Calibrated to the industry standard of 33-240 Ohms
- ◆ Internal components will not rust or corrode
- ◆ Supplied with 5 hole gasket and screws for mounting the sender to the top of the tank
- ◆ Suitable for all tanks with a depth between 102 - 685mm
- ◆ Supplied with full installation instructions



| Moeller Number | Model | Packed Dimensions | Weight | Part Number |
|----------------|---------------------------------------|-------------------------|--------|--------------------|
| 035725-10 | Universal Adjustable Swing Arm Sender | 432 H x 64 W x 114 L mm | 0.09kg | MOE03572510 |

Universal Dash Mounted Fuel Gauge Kit

- ◆ Electric fuel gauge kit which is truly universal application
- ◆ Features a simple to install swing arm gauge in the standard 5 hole 'blank' on top of all universal fuel tanks
- ◆ Allows the fitter to make the swingarm float to the exact length for the tank to give accurate fuel level reading
- ◆ Calibrated to the industry standard of 33-240 Ohms
- ◆ Just requires simple wiring into the dash mounted gauge supplied
- ◆ Internal components will not rust or corrode
- ◆ Supplied with 5 hole gasket and screws for mounting the sender to the top of the tank
- ◆ Suitable for all tanks with a depth between 102 - 685mm
- ◆ Supplied with full installation instructions



| Moeller Number | Model | Packed Dimensions | Weight | Part Number |
|----------------|--|-------------------------|--------|--------------------|
| 035726-10 | Universal Fuel Gauge & Sender Unit Kit | 432 H x 64 W x 127 L mm | 0.13kg | MOE03572610 |



Universal Swing Arm Mechanical Gauge for Fuel Tanks

- ◆ These clever mechanical operation gauges feature the standard 5 hole marine fuel tank mount - to replace the 'blank' in the top of the tank
- ◆ Supplied with 5 hole gasket and screws
- ◆ Complete mechanical operation - the float arm drives a gear wheel which converts the fuel level into a clear reading on the dial on top of the tank
- ◆ Available in a full range of tank depths for accurate read out
- ◆ Incredibly simple to fit
- ◆ Simple mechanical principle ensures accurate and reliable service
- ◆ Can be upgraded to make an electric sender whilst still retaining manual reading gauge with simple add on kit



| Moeller Number | For Tank Depth | Packed Dimensions | Weight | Part Number |
|----------------|-----------------|-------------------------|--------|--------------------|
| 035751-10 | 203mm / 8" | 432 H x 76 W x 152 L mm | 0.22kg | MOE03575110 |
| 035752-10 | 254mm / 10" | 432 H x 76 W x 152 L mm | 0.22kg | MOE03575210 |
| 035753-10 | 300mm / 11 3/4" | 432 H x 76 W x 152 L mm | 0.22kg | MOE03575310 |
| 035755-10 | 356mm / 14" | 432 x 152 x 76mm | 0.27kg | MOE03575510 |

Conversion Capsule

- ◆ Simply remove the reading gauge from your swing arm mechanical gauge and replace with this to convert the swing arm to an electric sender and mechanical sight gauge
- ◆ Incredibly easy to fit - undo two Phillips screws, take out the mechanical gauge and then drop in the conversion capsule and replace the two screws
- ◆ Wires into the dash gauge in the normal way
- ◆ Incredibly reliable - better than swing arm or reed sensor senders thanks to the simplicity of the design - super fail safe as mechanical reading gauge is still operational
- ◆ No electrical components needed in the fuel tank - completely electrically isolated
- ◆ Rated by installers as the most reliable solution for fuel tank readings
- ◆ Will operate an existing dash mounted fuel gauge from the following US manufacturers: Moeller, Faria, Vee-Three, Teleflex, Tempo, Westerbeke, Universal and Stewart Warner
- ◆ Calibrated to the industry standard of 33-240 Ohms
- ◆ Fits with the complete range of universal swing arm mechanical gauges
- ◆ Supplied with full installation instructions



| Moeller Number | Packed Dimensions | Weight | Part Number |
|----------------|------------------------|--------|--------------------|
| 035760-10 | 146 H x 44 W x 57 L mm | 0.04kg | MOE03576010 |



Small engines are especially susceptible to ethanol problems such as gum deposits that clog carburettors, making engines difficult to start and run rough.

Star Tron Enzyme Fuel Treatment cures and prevents ethanol fuel problems by preventing gum formation, stabilising fuel chemistry and allowing fuel to burn more completely for optimal engine performance and full power.

Works even in ethanol-blended fuel or fuel that has been sat idle for months.

Ideal for use in all petrol engines including: boats, cars, trucks, motorbikes, small equipment as well as engines which run on pre-mix (2-stroke) fuel.

Star Tron Classic Petrol Formulation

- ◆ Makes all engines start easily, run smoothly; improves performance
- ◆ Removes and prevents gum, carbon and varnish
- ◆ Works in all engines and in all fuel
- ◆ Helps prevent phase separation by dispersing water throughout fuel as submicron-sized droplets that are safely eliminated while the engine operates
- ◆ Stabilises fuel; helps rejuvenate old fuel
- ◆ 30ml treats 11 litres of fuel
- ◆ Reduces smoke and all other emissions
- ◆ Keeps fuel delivery system clean
- ◆ Offered in a convenient range of sizes for small engines - one shot 'shooters' for easy counter retail to small bottles



SB14324EN



SB14308E

| Starbrite Number | Bottle Size | Treats | Pack | Part Number |
|--|-------------|------------------------|-----------------------|------------------|
| 14312 Hang Display of 12 Shooters | 30ml | 22.71 litres of Petrol | Retail hanger of 12 | SB14312 |
| 14324EN Counter Display of 24 Shooters | 30ml | 22.71 litres of Petrol | Counter Display of 24 | SB14324EN |
| 14308 | 237ml | 181.7 litres of Petrol | 1 bottle | SB14308E |



Star Tron Super Concentrate / Concentrate Petrol Formulation

- ◆ Cures and prevents ethanol fuel problems
- ◆ Makes engines start easily and run smoothly
- ◆ Stabilizes gasoline for up to 2 years and rejuvenates old fuel
- ◆ Removes and prevents gum, varnish and carbon deposits
- ◆ Improves performance and fuel economy
- ◆ Helps prevent phase separation by dispersing water into submicron-sized droplets



SB14512

SB14516

SB93008

SB93016EF

| Starbrite Number | Bottle Size | Treats | Pack | Part Number |
|---|-------------|-----------------------|-----------------------|------------------|
| 14512EN Counter Display of 12 Shooters - Super Concentrate | 30ml | 95 litres of petrol | Counter Display of 12 | SB14512 |
| 14516EN Counter Display of 16 Shooters - Super Concentrate | 30ml | 95 litres of petrol | Counter Display of 16 | SB14516 |
| 093008E | 250ml | 500 litres of petrol | 1 bottle | SB93008 |
| 093016EF | 500ml | 1000 litres of petrol | 1 bottle | SB93016EF |
| 093032 | 950ml | 2000 litres of petrol | 1 bottle | SB93032 |

EZ Store EZ Start Petrol Storage Additive

- ◆ Protects petrol and fuel system components during storage / winterisation
- ◆ For inboard and outboard petrol engines
- ◆ Prevents corrosion of fuel tank and fuel delivery system
- ◆ One product does it all - stabilises and fogs in one step
- ◆ Protects petrol and engine components during storage
- ◆ Concentrated formula - 30ml treats 19 litres



| Starbrite Number | Bottle Size | Treats | Pack | Part Number |
|------------------|-------------|----------------------|----------|----------------|
| 084316 | 473ml | 300 litres of petrol | 1 bottle | SB84316 |



Fuel Additives for Diesel Engines

- ◆ Star Tron Enzyme Fuel Treatment is a multi-functional fuel additive which uses a unique enzyme technology that allows all engines to start easily and run smoothly, even after sitting idle for months
- ◆ Rated "Best Choice" in an independent review of the seven most popular diesel treatments that guard against fuel-tank corrosion
- ◆ Increases fuel economy by cleaning the entire fuel delivery system, removing performance robbing gum and varnish deposits while modifying how fuel burns
- ◆ This results in more complete and uniform combustion, maximum performance, increased fuel efficiency, reduced emissions and reliable operation
- ◆ Eliminates carbon build-up from burners, injectors and exhaust components
- ◆ Will stabilise fuel for up to two years, preventing the formation of gums and other solids that clog fuel injectors
- ◆ Star Tron can help rejuvenate old and sub-spec fuel
- ◆ Concentrated formula - 30ml treats 121 litres



SB93108

SB93116

SB93132

| Starbrite Number | Bottle Size | Treats | Pack | Part Number |
|------------------|-------------|-----------------------|----------|----------------|
| 093616EN | 237ml | 969 litres of diesel | 1 bottle | SB93108 |
| 093116EF | 500ml | 2000 litres of diesel | 1 bottle | SB93116 |
| 093132EF | 1litre | 4000 litres of diesel | 1 bottle | SB93132 |

EZ Store EZ Start Diesel Storage Additive

- ◆ Protects fuel and engine components during storage
- ◆ Prevents corrosion of fuel tank and fuel delivery system
- ◆ Stops formation of gum and sludge, ensures quick starts after storage
- ◆ One product does it all - stabilises and fogs in one step
- ◆ Stabilises diesel for two years
- ◆ Concentrated formula - 30ml treats 38 litres



| Starbrite Number | Bottle Size | Treats | Pack | Part Number |
|------------------|-------------|----------------------|----------|----------------|
| 084416 | 473ml | 600 litres of diesel | 1 bottle | SB84416 |





Pro Star LPC Diesel Additive

- ◆ A multi-functional diesel fuel additive
- ◆ Improves fuel quality in three ways
- ◆ Increases lubricity to extend engine life
- ◆ For use in all diesel engines
- ◆ Ideal for use with Star Tron Diesel Formula Enzyme Fuel Treatment
- ◆ Reduces pour point for cold weather use
- ◆ Increases cetane to improve engine performance
- ◆ Improves engine cold-starting performance without compromising warm weather performance
- ◆ Allows diesel fuel to meet ASTM D975-05 fuel lubricity requirements
- ◆ Enhances engine performance and protects against premature engine wear



| Starbrite Number | Bottle Size | Treats | Pack | Part Number |
|------------------|-------------|----------------------|----------|----------------|
| 095532GF | 1 litre | 750 litres of diesel | 1 bottle | SB95532 |

Star Tron Tank Cleaner - for petrol and diesel tanks

- ◆ A revolutionary additive based on enzymes that replaces expensive fuel polishing and tank cleaning
- ◆ Exceptional at cleaning sludge and other fuel contaminants from petrol and diesel tanks
- ◆ Simply add 30ml for every 15 litres of petrol or diesel
- ◆ Allow to sit in tank for a minimum of 24 hours before using rejuvenated fuel
- ◆ Tank cleaner will disperse hardened deposits and can load (clog) filters
- ◆ After two treatments, fuel tank should be cleaned of all deposits and fuel filters will no longer load (clog) up
- ◆ Keep spare fuel filters to hand when using this product



| Starbrite Number | Bottle Size | Treats | Pack | Part Number |
|------------------|-------------|-----------------|----------|----------------|
| 093664EF | 1.89 litre | 950 litre tank | 1 bottle | SB93664 |
| 093600N | 3.78 litre | 1900 litre tank | 1 bottle | SB93600 |



ABC Powder Extinguisher 'Ships Wheel' marked

- ◆ Refillable ABC dry powder extinguishers suitable for use in the home, office, vehicles, boats and many commercial and industrial applications
- ◆ Certified by DNV to MED 'Ships Wheel' – meets the recommendations of the Royal Yachting Association and British Waterways Joint Boat Safety Scheme
- ◆ Accredited to EN3 by BSI and Kitemarked
- ◆ Certified by DNV to MED 'Ships Wheel'
- ◆ 5 year warranty
- ◆ Stored pressure – easy low-cost maintenance
- ◆ Suitable for A, B and C Fire classifications
- ◆ Safe for use on electrical equipment
- ◆ Controlled discharge
- ◆ Supplied with powder coated, steel wire bracket



F100002

F100003

| Fireblitz Number | Capacity | Total Weight | Total Height | Total Width (exc. Hose) | Working Temp. | Discharge time | Discharge range | Operating Pressure | Minimum Burst Pressure | Part Number |
|------------------|----------|--------------|--------------|-------------------------|----------------|----------------|-----------------|--------------------|------------------------|-------------|
| FBP1 | 1kg | 2.12kg | 364mm | 130mm | -30°C to +60°C | 7 seconds | 4 metres | 14 bar @ 20°C | 55 bar | F100002 |
| FBP2 | 2kg | 3.65kg | 380mm | 140mm | -30°C to +60°C | 15 seconds | 5 metres | 14 bar @ 20°C | 55 bar | F100003 |

ABC Powder Extinguisher Budget (1kg)

- ◆ Refillable budget ABC dry powder extinguishers suitable for use in the home, office, vehicles, boats and many commercial and industrial applications
- ◆ This multipurpose, reliable and very effective fire extinguisher is easy to operate, with the advantages of fast extinguishing speed, high efficiency, continuous or intermittent spraying
- ◆ Accredited to EN3 by BSI and Kitemarked
- ◆ 5 year warranty
- ◆ Stored pressure – easy low-cost maintenance
- ◆ Suitable for A, B and C Fire classifications
- ◆ Safe for use on electrical equipment
- ◆ Controlled discharge
- ◆ Supplied with powder coated, steel wire bracket
- ◆ Brass valve - easy to read pressure gauge



| Fireblitz Number | Capacity | Total Weight | Total Height | Total Width (exc. Hose) | Working Temp. | Discharge time | Discharge range | Operating Pressure | Minimum Burst Pressure | Part Number |
|------------------|----------|--------------|--------------|-------------------------|----------------|----------------|-----------------|--------------------|------------------------|-------------|
| FBP1K - 8A / 55B | 1kg | 2.12kg | 350mm | 100mm | -30°C to +60°C | 11 seconds | 4 metres | 14 bar @ 20°C | 55 bar | F100011 |

BC Powder Aerosol Extinguisher

- ◆ Compact aerosol factory sealed BC Dry Powder fire extinguishers
- ◆ Manufactured in the UK
- ◆ BSI certified to BS 6165:2002 and Kitemarked
- ◆ 5 year warranty
- ◆ Easy low cost maintenance
- ◆ Suitable for B and C Fire classifications
- ◆ Safe for use on electrical equipment
- ◆ Aluminium lightweight body
- ◆ Controlled discharge



FI00004

FI00005

| Fireblitz Number | Capacity | Total Weight | Total Height | Total Width (exc. Hose) | Working Temp. | Discharge time | Discharge range | Cylinder test pressure | Part Number |
|---|----------|--------------|--------------|-------------------------|----------------|----------------|-----------------|------------------------|----------------|
| Alpha – Supplied with durable plastic (Polypropylene) bracket | 0.60kg | 0.76kg | 281mm | 94mm | -20°C to +60°C | 6 seconds | 2-3 metres | 18 bar | FI00004 |
| Beta – Supplied with coated metal spring clip | 0.95kg | 1.10kg | 302mm | 96mm | -20°C to +60°C | 9 seconds | 2-3 metres | 18 bar | FI00005 |

Auto Fire Extinguishers - Dry Powder

- ◆ Commonly used to protect machinery/plant and where there is a risk of fire such as in boat/vehicle engine compartments
- ◆ The unit required is determined by the floor area of that compartment
- ◆ Only one unit should be installed in any one compartment and should provide the total protection required for that compartment
- ◆ Compact and economical automatic extinguisher
- ◆ 5 year warranty
- ◆ Stored pressure – easy low-cost maintenance
- ◆ Suitable For A, B And C Class Fires
- ◆ Safe for use on electrical equipment
- ◆ Supplied with powder coated, steel wire bracket



FI00009

FI00010

| Fireblitz Number | Capacity | Total Weight | Total Height | Total Width (exc. Hose) | Working Temp. | Discharge time | Discharge range | Operating Pressure | Minimum Burst Pressure | Part Number |
|------------------|----------|--------------|--------------|-------------------------|----------------|----------------------------|-----------------|--------------------|------------------------|----------------|
| FBA-P1 | 1kg | 2.14kg | 330mm | 95mm | -20°C to +60°C | Under 10 secs @ 79°C ± 5°C | 1m ² | 12 bar @ 20°C | 55 bar | FI00009 |
| FBA-P2 | 2kg | 3.60kg | 380mm | 125mm | -20°C to +60°C | Under 10 secs @ 79°C ± 5°C | 2m ² | 12 bar @ 20°C | 55 bar | FI00010 |

Auto Fire Extinguishers - Clean Agent Gas

- ◆ Ozone friendly
- ◆ Commonly used to protect machinery/plant and where there is a risk of fire such as in boat/vehicle engine compartments
- ◆ Ideal for use in sensitive locations and are a suitable option to protect high-value assets
- ◆ The unit required is determined by the gross volume of that compartment
- ◆ Only one unit should be installed in any one compartment and should provide the total protection required for that compartment
- ◆ The compartment should have no unnecessary ventilation that would allow needless loss of suppressant
- ◆ Clean agent (Halon replacement gas)
- ◆ Zero ozone depletion
- ◆ 5 Year warranty
- ◆ Suitable For B And C Class Fires
- ◆ Safe for use on electrical equipment
- ◆ Supplied with powder coated, steel wire bracket



FI00006

FI00007

| Fireblitz Number | Capacity | Total Weight | Total Height | Total Width (exc. Hose) | Working Temp. | Discharge time | Discharge range | Operating Pressure | Minimum Burst Pressure | Part Number |
|------------------|----------|--------------|--------------|-------------------------|----------------|----------------------------|--------------------|--------------------|------------------------|-------------|
| FBA-G1 | 1kg | 2.14kg | 330mm | 95mm | -20°C to +60°C | Under 10 secs @ 79°C ± 5°C | 1.7 m ² | 12 bar @ 20°C | 55 bar | FI00006 |
| FBA-G1.5 | 1.5kg | 3.10kg | 380mm | 125mm | -20°C to +60°C | Under 10 secs @ 79°C ± 5°C | 2.5 m ² | 12 bar @ 20°C | 55 bar | FI00007 |

Fire Blanket

- ◆ Made of fire resistant materials and efficiently packaged in hard plastic container
- ◆ Particularly useful for smothering fires or for wrapping around a person whose clothing is on fire
- ◆ Simple to use and extremely effective
- ◆ Suitable for use in many commercial and domestic situations
- ◆ Works by excluding the air supply to the fire - thereby extinguishing it
- ◆ Kitemarked and manufactured to BS EN 1869:1997
- ◆ Manufactured in the UK under BS EN 9001:2000 Quality management system
- ◆ Hard plastic container for easy surface / bulkhead mounting



| Fireblitz Number | Size | Total Weight | Container Size | Part Number |
|------------------|------------------|--------------|------------------------|-------------|
| EFBB110-HP | 1 metre x 1metre | 0.70kg | 21 H x 16 W x 4.5 D cm | FI00001 |



Kill Switch Lanyards

- ◆ Designed to fit the emergency engine cut-off switch located at the helm
- ◆ These lanyards feature a nylon snap shackle to clip to your belt / waist or around your wrist
- ◆ Feature a durable flexible 'pig tail' to allow freedom of movement without the lanyard getting in the way

| TREM Number | For Engine Models | Weight | Part Number |
|-------------|--------------------------------------|--------|-------------------|
| L5310284 | 7 key Universal | 0.06kg | Q007056 |
| L5362557 | Tohatsu | 0.03kg | TRL5362557 |
| L5362558 | OMC Johnson Evinrude | 0.03kg | TRL5362558 |
| L5362559 | OMC | 0.03kg | TRL5362559 |
| L5362560 | Honda OMC | 0.03kg | TRL5362560 |
| L5362561 | Yamaha | 0.03kg | TRL5362561 |
| L5362562 | Mariner / Suzuki / Johnson 4 strokes | 0.03kg | TRL5362562 |
| L5362563 | Mercury / Mariner | 0.03kg | TRL5362563 |



Q007056



TRL5362557

TRL5362558

TRL5362559

TRL5362560

TRL5362561

TRL5362562

TRL5362563

Kill Switch with Floating Lanyard

- ◆ 'Push to make or Push to break' contacts arrangement
- ◆ Can be wired to be 'on' or 'off' when lanyard is in place
- ◆ Includes switch for panel mounting, test warning disc, float built on to lanyard and spring clip for attaching to waist / wrist

| TREM Number | Weight | Part Number |
|-------------|--------|-------------------|
| N0110285 | 0.07kg | TRN0110285 |





Security Cable for Outboards

- ◆ Handy cable with two sprung shackles to enable outboard to be clipped to the transom of the boat
- ◆ For outboards up to 25HP
- ◆ Additional safety ensures that outboard is not accidentally dropped in the water when trying to position / adjust it on the transom



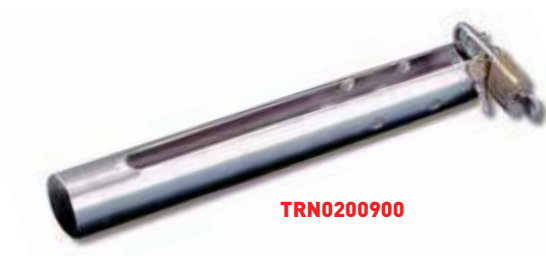
| TREM Number | Outboard max weight | Length | Part Number |
|-------------|---------------------|--------|-------------------|
| N0300450 | 120kg | 60cm | TRN0300450 |

Outboard Motor Tube Locks

- ◆ Stainless steel anti-theft devices
- ◆ Secured by a long hasp padlock - included
- ◆ Designed to be fitted to the outboard securing bolts / thumbscrews to stop removal of the engine



TRN0200450



TRN0200900

| TREM Number | Type | Length | Weight | Part Number |
|-------------|---------------------------|--------|--------|-------------------|
| N0200450 | Mini - 30mm tube diameter | 320mm | 0.6kg | TRN0200450 |
| N0200900 | Maxi - 40mm tube diameter | 320mm | 0.9kg | TRN0200900 |



Outboard Tiller Extension Handles

- ◆ Extension handles for all types of tiller steered outboard
- ◆ Allows driver to sit further forward for better weight distribution and easier operation
- ◆ Can enable quicker and easier planing
- ◆ Quickly and easily fitted to most tillers with four hand tightening nuts



TRN4000350



TRN4030070



Q007439

| TREM Number | Type | Length | Weight | Part Number |
|-------------|--|------------|--------|-------------------|
| N4000350 | Fixed - Standard | 70cm | 0.35kg | TRN4000350 |
| N4030070 | Fixed - with engine cut off button in end of handle | 70cm | 0.35kg | TRN4030070 |
| N4130120 | Telescopic - with engine cut off button in end of handle | 60 - 100cm | 0.55kg | Q007439 |

Hydrofoil Fin Stabiliser

- ◆ Improves performance on all boats with outboard motors or outdrives
- ◆ Two piece, high strength plastic is designed to flex and absorb shock
- ◆ Quick and easy installation - simply drill existing cast fin and bolt stabiliser fin to it



TRL3288062



TRL3288061

| TREM Number | Type | Dimensions | Weight | Part Number |
|-------------|-----------------------|-------------------------|--------|-------------------|
| L3288062 | For 4 - 50HP engines | 15 H x 174 W x 194 D mm | 0.87kg | TRL3288062 |
| L3288061 | For over 50HP engines | 15 H x 216 W x 264 D mm | 0.6kg | TRL3288061 |

Transom Pads - Plastic

- ◆ Offers protection against outboard clamp damage
- ◆ Avoids scratching and marking on transoms
- ◆ Helps to absorb engine vibration
- ◆ Great for reinforcing transoms on dinghies
- ◆ Made from rigid plastic, textured surface to reduce slipping of outboard clamp bolts



AQM50200



AQM52200



AQM51200



AQM50201



TRN0010027

| Type | Dimensions | Colour | Material | Part Number |
|-------|------------------|--------|----------------------------|-------------------|
| Small | 85 H x 197 L mm | Black | UV resistant Polypropylene | AQM50200 |
| Small | 85 H x 197 L mm | White | UV resistant Polypropylene | AQM51200 |
| Small | 85 H x 197 L mm | Grey | UV resistant Polypropylene | AQM52200 |
| Large | 95 H x 265 L mm | Black | UV resistant Polypropylene | AQM50201 |
| Large | 100 H x 270 L mm | Black | Nylon | TRN0010027 |



Transom Pads - Aluminium

- ◆ Offers protection against outboard clamp damage
- ◆ Avoids scratching and marking on transoms
- ◆ Helps to absorb engine vibration
- ◆ Great for reinforcing transoms on dinghies
- ◆ Made from cast aluminium
- ◆ Features safety ring for engine cable



Q002511



TRN0079305

| Type | Dimensions | Colour | Material | Part Number |
|-------------------|------------------|--------|----------|-------------------|
| Grey alloy finish | 100 H x 317 L mm | Grey | Alloy | Q002511 |
| Black light alloy | 95 H x 305 L mm | Black | Alloy | TRN0079305 |



Transom Wedge Plate

- ◆ Made from shockproof Moplen (PP-H) isotactic polypropylene
- ◆ Enables engine trim correction by adjusting the angle of the transom
- ◆ Simple to fit
- ◆ Provides a safe and neat way to permanently correct trim



| TREM Number | Wedge Profile | Dimensions | Colour | Material | Part Number |
|-------------|---------------|------------------|------------|----------|----------------|
| 00520043 | 2mm to 20mm | 360 H x 450 W mm | Light Grey | Moplen | Q002146 |

Transom Saddle Pad

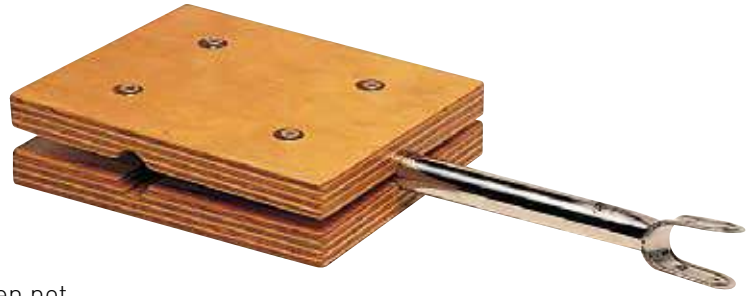
- ◆ Plastic flexible pad which saddles over the top of transom
- ◆ Universal application
- ◆ Simple to fit
- ◆ Protects the transom and reduces motor vibration noise
- ◆ Oil and weather resistant
- ◆ Textured surface to prevent motor slipping on pad



| TREM Number | Dimensions | Colour | Material | Part Number |
|-------------|------------------|--------|------------------|----------------|
| N0028040 | 400 H x 280 W mm | Grey | Flexible Plastic | Q002510 |



Outboard Storage Bracket



- ◆ Designed to fit on pulpit guardrail
- ◆ Allows for storage of an outboard motor when not in use
- ◆ Separates to clamp onto pulpit rail
- ◆ Vertical extension rail adjusts to bottom rail to provide rigid vertical support for the pad
- ◆ Stainless steel and marine ply pad

| TREM Number | Pad Dimensions | Colour | Part Number |
|-------------|------------------|------------------|----------------|
| 00720032 | 250 H x 200 W mm | Wood / Stainless | Q006742 |

Bathing Platform Mounting Bracket

- ◆ Designed to allow use of an outboard as an auxiliary motor on the bathing platform
- ◆ Simple to fit - compatible with most platforms
- ◆ Mounting brackets in stainless steel slip onto bathing platform and are bolted into place
- ◆ Incline angle to mimic profile of a transom - enables best engine performance
- ◆ For outboards up to 8HP



| TREM Number | Length | Pad Dimensions | Fits TREM Bathing Platform | Part Number |
|-------------|--------|------------------|----------------------------|----------------|
| S3000010 | 250mm | 200 H x 250 L mm | Q007818 | Q007817 |



Outboard Mounting - Lifting Brackets

- ◆ Designed for sail boats, to lift the outboard motor out of the water when not in use
- ◆ Allows use of a boats tender outboard as an auxiliary motor or simple trolling motor
- ◆ Brackets adjust to a number of running positions to allow for changing water or load conditions
- ◆ Hand-adjustable by turning the knob at the side to move between positions on the bracket keyway
- ◆ The brackets are counterbalanced by springs to provide lifting advantage and balance against the engines weight
- ◆ Selected models can be mounted into an optional 'shoe' which allows for the bracket to be quickly removed from the boat when not required



TR00819239
TR00829479



Q006748



Q006750

| TREM Number | Max Engine Weight | Lift Adjustment Positions | Bracket Material | Pad Material | Dimensions | Bracket Weight | Part Number |
|-------------|-------------------|------------------------------|------------------|--------------|---|----------------|-------------------|
| 00819239 | 20kg | 5 by locking knob and handle | Stainless Steel | Plastic | 280 L mm | 2.4kg | TR00819239 |
| 00829479 | 30kg | 5 by locking knob and handle | Stainless Steel | Plastic | 280 L mm | 3.9kg | TR00829479 |
| 00500369 | 30kg | 5 by sliding keyway | Alloy | Marine Ply | Pad: 240 H x 210 W Bracket: 320 L mm | 3.6kg | Q006748 |
| 00500420 | 35kg | 5 by sliding keyway | Alloy | Marine Ply | Pad: 265 H x 210 W Bracket: 320 L mm | 4.7kg | Q006750 |



Bracket Mounting Shoe

- ◆ Mounting shoe for models : Q006748, Q006750 & TR00579429 to make them removable when not in use



TREM Number

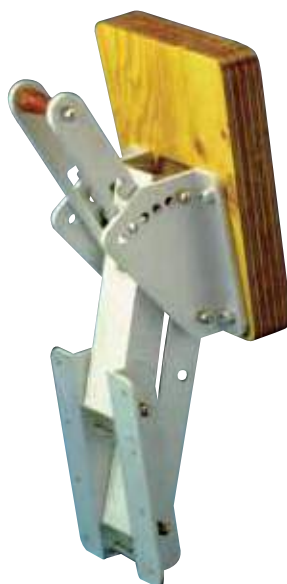
00500280

Part Number

Q006749



TR00579429



Q006746



Q006763

| TREM Number | Max Engine Weight | Lift Adjustment Positions | Bracket Material | Pad Material | Dimensions | Bracket Weight | Part Number |
|-------------|-------------------|---|------------------|--------------|---|----------------|-------------------|
| 00579429 | 35kg | 5 by sliding keyway | Alloy | Plastic | Pad: 280 H x 185 W Bracket: 320 L mm | 4.8kg | TR00579429 |
| 00500480 | 40kg | 5 by double sliding keyway plus 6 pad positions for engine trim | Alloy | Marine Ply | Pad: 300 H x 260 W Bracket: 320 L mm | 5kg | Q006746 |
| 00570480 | 50kg | 5 by extra heavy duty double sliding keyway | Alloy | Marine Ply | Pad: 300 H x 300 W Bracket: 320 L mm | 7.6kg | Q006763 |



Outboard Propeller Bags

- ◆ A legal requirement for anyone towing a boat on the UK highway
- ◆ Boat propellers must be covered by a bag which is made of a reinforced material
- ◆ Aquamarine propeller bags feature a special wavelock material to reinforce them and provide long service life
- ◆ Made from hi-visibility material, they feature a drawstring to keep them in place and a drain outlet
- ◆ They provide protection for the propeller when not in use and the hi-vis colour makes it less likely you will bang into the prop and cut / hurt yourself



| Model | For Engine Size | Dimensions mm | Part Number |
|-------|------------------------|----------------|----------------|
| SmL | Up to 6HP | 440 W x 400 L | Q006521 |
| Med | Up to 40HP | 550 W x 470 L | Q006522 |
| Lge | Up to 40HP & Outdrives | 750 W x 670 L | Q006523 |
| XL | Over 40HP | 1000 W x 910 L | Q006524 |



Outboard Motor Head Covers

- ◆ 420D extra strong polyester with silver grey coating
- ◆ UV and water resistant
- ◆ Provides protection for the motor head from sun, rain, dust etc.
- ◆ Incredibly handy in protecting your engine when the boat is in the water but not in use
- ◆ Check the dimension of engine motor head and order appropriate cover from the dimensions in the below table



| TREM Number | Model | Engine Size Guide | Dimensions | Weight | Part Number |
|-------------|-------|-------------------|--------------------------|--------|-------------------|
| 02225040 | XXS | 2 - 5 HP | 300 H x 250 W x 400 L mm | 0.10kg | Q037854 |
| 02227048 | XS | 2 - 15 HP | 330 H x 270 W x 480 L mm | 0.12kg | Q037855 |
| 02233055 | S | 10 - 45 HP | 420 H x 330 W x 550 L mm | 0.16kg | Q037856 |
| 02235063 | M | 30 - 90 HP | 480 H x 350 W x 630 L mm | 0.19kg | Q037857 |
| 02240073 | L | 70 - 150 HP | 650 H x 400 W x 730 L mm | 0.25kg | TR02240073 |

Deluxe Outboard Motor Head Covers

- ◆ Extra strong 100% waterproof cover with fleece inner cover
- ◆ UV resistant
- ◆ Provides maximum protection for the motor head from sun, rain, dust etc.
- ◆ Incredibly handy in protecting your engine when the boat is in the water but not in use
- ◆ Check the dimension of engine motor head and order appropriate cover from the dimensions in the below table

| TREM Number | Model | Engine Size Guide | Dimensions | Weight | Part Number |
|-------------|-------|-------------------|--------------------------|--------|-------------------|
| 04233055 | S | 10 - 45 HP | 420 H x 330 W x 550 L mm | 0.44kg | TR04233055 |
| 04235063 | M | 30 - 90 HP | 480 H x 350 W x 630 L mm | 0.54kg | TR04235063 |
| 04240073 | L | 70 - 150 HP | 650 H x 400 W x 730 L mm | 0.75kg | TR04240073 |
| 04245075 | XL | 115 - 225 HP | 750 H x 450 W x 750 L mm | 1.00kg | TR04245075 |





Outboard Engine Complete Covers

- ◆ Universal application
- ◆ 420D extra strong polyester with silver grey coating
- ◆ UV and water resistant
- ◆ Provides protection for the complete engine unit from sun, rain, dust etc.
- ◆ Perfect for protecting your engine when being stored or transported
- ◆ Check the dimension of engine and order appropriate cover from the dimensions in the below table



| TREM Number | Model | Engine Size Guide | Dimensions | Weight | Part Number |
|-------------|-------|-------------------|------------------------|--------|-------------------|
| 02225075 | S | 5 - 10 HP | 1250 H x 1400 Circ. mm | 0.20kg | Q037851 |
| 02215087 | M | 10 - 30 HP | 1500 H x 1600 Circ. mm | 0.28kg | Q037852 |
| 02218145 | L | 30 - 60 HP | 1450 H x 1800 Circ. mm | 0.35kg | TR02218145 |
| 02221125 | Maxi | 135 - 300 HP | 2100 H x 2400 Circ. mm | 0.49kg | Q037853 |

Deluxe Outboard Engine Complete Covers

- ◆ Universal application
- ◆ Extra strong 100% waterproof cover with fleece inner cover
- ◆ UV resistant
- ◆ Provides maximum protection for the motor head from sun, rain, dust etc.
- ◆ Incredibly handy in protecting your engine when the boat is in the water but not in use
- ◆ Check the dimension of engine motor head and order appropriate cover from the dimensions in the below table

| TREM Number | Model | Engine Size Guide | Dimensions | Weight | Part Number |
|-------------|-------|-------------------|------------------------|--------|-------------------|
| 04215087 | M | 10 - 30 HP | 1500 H x 1600 Circ. mm | 1.0kg | TR04215087 |
| 04218145 | L | 30 - 60 HP | 1450 H x 1800 Circ. mm | 1.05kg | TR04218145 |
| 04222190 | XXL | 70 - 175 HP | 1900 H x 2250 Circ. mm | 1.08kg | TR04222190 |
| 04221125 | Maxi | 135 - 300 HP | 2100 H x 2400 Circ. mm | 1.1kg | TR04221125 |

Outboard Engine Lower Cover

- ◆ Universal application
- ◆ Waterproof thermo-welded heavy duty PVC sterndrive and outboard sterndrive cover
- ◆ Protects against slime, barnacles, coral and other sea vegetation when the boat is in the water but not in use
- ◆ Can also stop protect against stray galvanic currents eroding the leg



| TREM Number | Model | Weight | Part Number |
|-------------|--------------------------|--------|-------------------|
| 02200100 | For engines up to 100 HP | 0.91kg | TR02200100 |
| 02200101 | For engine over 100 HP | 1.37kg | TR02200101 |



| A | |
|------------|----|
| ALB0401001 | 2 |
| ALB0401002 | 2 |
| ALB0401003 | 2 |
| ALB0401004 | 2 |
| ALB0401005 | 2 |
| ALB0401006 | 2 |
| ALB0402007 | 4 |
| ALB0402008 | 4 |
| ALB0403009 | 4 |
| ALB0403010 | 4 |
| ALB0404013 | 3 |
| ALB0404014 | 3 |
| ALB0466015 | 4 |
| ALB0501001 | 8 |
| ALB0501002 | 8 |
| ALB0501003 | 9 |
| ALB0501004 | 9 |
| ALB0501005 | 9 |
| ALB0501006 | 10 |
| ALB0501007 | 10 |
| ALB0501008 | 10 |
| ALB0501009 | 11 |
| ALB0501010 | 11 |
| ALB0501011 | 11 |
| ALB0501012 | 12 |
| ALB0501013 | 12 |
| ALB0501014 | 12 |
| ALB0501015 | 13 |
| ALB0501016 | 13 |
| ALB0501017 | 13 |
| ALB0501018 | 14 |
| ALB0501019 | 14 |
| ALB0501020 | 14 |
| ALB0501021 | 16 |
| ALB0501022 | 16 |
| ALB0501023 | 17 |
| ALB0501024 | 17 |
| ALB0501025 | 18 |
| ALB0501026 | 18 |
| ALB0501027 | 19 |
| ALB0501028 | 20 |
| ALB0501029 | 19 |
| ALB0501040 | 15 |
| ALB0501041 | 15 |
| ALB0501042 | 15 |
| ALB0501043 | 15 |
| ALB0501044 | 15 |
| ALB0501045 | 15 |
| ALB0501046 | 5 |
| ALB0502030 | 5 |
| ALB0502031 | 5 |
| ALB0559032 | 6 |
| ALB0559033 | 6 |
| ALB0559034 | 6 |
| ALB0559035 | 6 |
| ALB0559036 | 6 |
| ALB0559037 | 6 |
| ALB0569033 | 7 |
| ALB0569034 | 7 |
| ALB0569035 | 7 |
| ALB0569036 | 7 |
| ALB0569037 | 7 |
| ALB0599038 | 7 |
| ALB0601001 | 22 |

| | |
|------------|-----|
| ALB0601002 | 22 |
| ALB0601003 | 22 |
| ALB0601004 | 22 |
| ALB0601005 | 23 |
| ALB0601006 | 23 |
| ALB0601007 | 23 |
| ALB0601008 | 23 |
| ALB0601009 | 24 |
| ALB0601010 | 24 |
| ALB0601011 | 24 |
| ALB0601012 | 24 |
| ALB0601013 | 25 |
| ALB0601014 | 25 |
| ALB0601015 | 25 |
| ALB0601016 | 26 |
| ALB0601017 | 26 |
| ALB0601018 | 27 |
| ALB0601019 | 27 |
| ALB0601020 | 27 |
| ALB0601021 | 27 |
| ALB0601022 | 28 |
| ALB0601023 | 28 |
| ALB0601024 | 29 |
| ALB0601025 | 29 |
| ALB0601026 | 30 |
| ALB0601027 | 30 |
| ALB0601028 | 31 |
| ALB0601029 | 31 |
| ALB0601030 | 32 |
| ALB0601031 | 32 |
| ALB0601032 | 33 |
| ALB0601033 | 33 |
| ALB0601034 | 34 |
| ALB0602037 | 25 |
| ALB0603035 | 21 |
| ALB0603036 | 21 |
| ALB0604036 | 3 |
| ALB1002001 | 35 |
| ALB1002002 | 35 |
| ALB1002003 | 36 |
| ALB1002004 | 36 |
| ALB1002005 | 37 |
| ALB1002006 | 37 |
| ALB1002011 | 40 |
| ALB1002012 | 40 |
| ALB1002013 | 40 |
| ALB1002014 | 40 |
| ALB1003007 | 38 |
| ALB1003008 | 38 |
| ALB1003009 | 39 |
| ALB1003010 | 39 |
| AQM50200 | 123 |
| AQM50201 | 123 |
| AQM51200 | 123 |
| AQM52200 | 123 |
| AQM5LXHOSE | 50 |
| AT1674 | 92 |
| AT17331 | 41 |
| AT17334 | 41 |
| AT17491 | 41 |
| AT17494 | 41 |

| F | |
|----------|-----|
| FI00001 | 117 |
| FI00002 | 117 |

| | |
|---------|-----|
| FI00003 | 117 |
| FI00004 | 118 |
| FI00005 | 118 |
| FI00006 | 119 |
| FI00007 | 119 |
| FI00009 | 118 |
| FI00010 | 118 |
| FI00011 | 117 |

| H | |
|-----------|----|
| HUN490020 | 86 |
| HUN546000 | 47 |
| HUN810000 | 86 |
| HUN811400 | 85 |
| HUN811560 | 85 |
| HUN812800 | 85 |
| HUN812873 | 85 |
| HUN813500 | 85 |
| HUN813530 | 85 |
| HUN950500 | 86 |
| HUN950600 | 86 |
| HUN953500 | 86 |
| HUN955200 | 86 |

| I | |
|----------|----|
| INC2805 | 47 |
| INC2806 | 47 |

| J | |
|--------------|----|
| JOT092207BVA | 65 |
| JOT092207BVA | 65 |
| JOT6CZ099APA | 65 |
| JOT6CZGREAPA | 65 |
| JOT9PY115APA | 65 |

| M | |
|-------------------|----|
| MDGAD27 | 70 |
| MGD35MM | 66 |
| MGD45MM | 66 |
| MGDA50MM | 66 |
| MGDAD35 | 70 |
| MGDAD56KIT | 70 |
| MGDAD58KIT | 70 |
| MGDASA125 | 67 |
| MGDCM123009M | 80 |
| MGDCM272100200200 | 84 |
| MGDCM272100200300 | 84 |
| MGDCM3854130M | 83 |
| MGDCM3855411M | 83 |
| MGDCM43994M | 79 |
| MGDCM6L2284Z | 75 |
| MGDCM6L2288Z | 75 |
| MGDCM762145M | 79 |
| MGDCM806105M | 79 |
| MGDCM806189M | 79 |
| MGDCM821629M | 79 |
| MGDCMALPHAKITM | 76 |
| MGDCMBRAVO23KITM | 76 |
| MGDCMBRAVO3KITA | 77 |
| MGDCMBRAVO3KITZ | 76 |
| MGDCMCU1645Z | 75 |
| MGDCMDPHKITZ | 81 |
| MGDCMDPSKITZ | 81 |
| MGDCMG0536Z | 73 |
| MGDCMG0537Z | 73 |
| MGDCMPNH5Z | 72 |

| | | | | | |
|----------------|-----|---------|-----|---------|-----|
| MGDCMPNH6Z | 72 | Q007232 | 44 | Q065174 | 89 |
| MGDCMR03 | 69 | Q007232 | 93 | Q065178 | 90 |
| MGDCMR04 | 69 | Q007233 | 44 | Q065179 | 108 |
| MGDCMSXKIT | 81 | Q007233 | 93 | Q065183 | 88 |
| MGDCMV280DPKIT | 81 | Q007234 | 44 | Q065188 | 90 |
| MGDMD58KIT | 70 | Q007234 | 93 | Q065189 | 50 |
| MGDMG80224 | 84 | Q007235 | 44 | Q065191 | 93 |
| MGDP6253 | 71 | Q007235 | 93 | Q065192 | 93 |
| MGDZSA250 | 67 | Q007236 | 44 | Q065196 | 107 |
| MOE003345010 | 104 | Q007236 | 93 | Q065198 | 110 |
| MOE003345110 | 104 | Q007237 | 44 | Q065211 | 103 |
| MOE032514 | 90 | Q007237 | 93 | Q065213 | 91 |
| MOE03321010 | 108 | Q007439 | 122 | Q065214 | 107 |
| MOE03321210 | 107 | Q007590 | 86 | Q065217 | 91 |
| MOE03321310 | 107 | Q007817 | 125 | Q090682 | 66 |
| MOE03338910 | 99 | Q013472 | 69 | Q090683 | 66 |
| MOE03341810 | 104 | Q014231 | 109 | Q090684 | 66 |
| MOE03343010 | 107 | Q014232 | 109 | Q090690 | 70 |
| MOE03343510 | 108 | Q014240 | 90 | Q090691 | 67 |
| MOE03343610 | 108 | Q014241 | 90 | Q090701 | 69 |
| MOE03344210 | 107 | Q037851 | 129 | Q090702 | 76 |
| MOE03438610 | 96 | Q037852 | 129 | Q090704 | 80 |
| MOE03438810 | 97 | Q037853 | 129 | Q090705 | 80 |
| MOE03439510 | 99 | Q037854 | 128 | Q090710 | 67 |
| MOE03572510 | 110 | Q037855 | 128 | Q090711 | 67 |
| MOE03572610 | 111 | Q037856 | 128 | Q090712 | 81 |
| MOE03575110 | 89 | Q037857 | 128 | Q090713 | 81 |
| MOE03575110 | 112 | Q037988 | 109 | Q090714 | 81 |
| MOE03575210 | 89 | Q037989 | 109 | Q090715 | 81 |
| MOE03575210 | 112 | Q065111 | 88 | Q090716 | 66 |
| MOE03575310 | 89 | Q065116 | 99 | Q090717 | 66 |
| MOE03575310 | 112 | Q065117 | 97 | Q090718 | 66 |
| MOE03575510 | 89 | Q065119 | 98 | Q090719 | 66 |
| MOE03575510 | 112 | Q065126 | 102 | Q090720 | 68 |
| MOE03576010 | 112 | Q065127 | 102 | Q090721 | 72 |
| MOE3320610 | 108 | Q065128 | 102 | Q090722 | 72 |
| | | Q065129 | 106 | Q090723 | 72 |
| | | Q065129 | 106 | Q090724 | 72 |
| | | Q065130 | 106 | Q090725 | 72 |
| | | Q065131 | 101 | Q090726 | 78 |
| | | Q065131 | 106 | Q090727 | 66 |
| | | Q065132 | 105 | Q090728 | 66 |
| | | Q065133 | 105 | Q090729 | 66 |
| | | Q065134 | 105 | Q090730 | 66 |
| | | Q065135 | 104 | Q090731 | 66 |
| | | Q065136 | 104 | Q090734 | 66 |
| | | Q065137 | 108 | Q090735 | 66 |
| | | Q065140 | 107 | Q090777 | 66 |
| | | Q065144 | 87 | Q090781 | 69 |
| | | Q065145 | 87 | Q090785 | 78 |
| | | Q065148 | 107 | Q090786 | 77 |
| | | Q065149 | 109 | Q090787 | 77 |
| | | Q065150 | 109 | Q090788 | 81 |
| | | Q065153 | 98 | Q090789 | 81 |
| | | Q065155 | 101 | Q090790 | 81 |
| | | Q065156 | 101 | Q090791 | 81 |
| | | Q065157 | 101 | Q090792 | 81 |
| | | Q065158 | 101 | Q090793 | 81 |
| | | Q065159 | 102 | Q090808 | 80 |
| | | Q065165 | 103 | Q090810 | 69 |
| | | Q065166 | 103 | Q090817 | 80 |
| | | Q065167 | 105 | Q090818 | 78 |
| | | Q065167 | 105 | Q090819 | 67 |
| | | Q065168 | 105 | Q090820 | 67 |
| | | Q065173 | 108 | Q090821 | 67 |

Q





| A | |
|----------------------------------|-----|
| ABC Powder Extinguishers | 117 |
| Anodes - Shaft | 66 |
| Anti Siphon Valves | 107 |
| Anti Theft Devices for Outboards | 121 |
| Antifouling - Drive | 65 |
| Antifreeze - Rock Oil | 52 |
| Antifreeze - StarBrite | 51 |
| Automatic Fire Extinguishers | 118 |

| B | |
|---------------------------------------|-----|
| Bags - Propeller | 128 |
| Ball Shaft Anodes | 67 |
| Ballast Pumps | 3 |
| Bathing Platform Outboard Brackets | 125 |
| BC Powder Aerosol Extinguishers | 118 |
| Bellows - Exhaust | 45 |
| Below Deck Fuel Tanks | 90 |
| Bennett Anodes | 71 |
| Blower Hose | 43 |
| Bombardier Fuel Fittings & Connectors | 102 |
| Brackets - Outboard | 126 |
| BRP Fuel Fittings & Connectors | 102 |
| Bruntons Anodes | 72 |
| Bulkhead Fittings | 108 |

| C | |
|------------------------------|-------|
| Cassette Hose for Flushing | 50 |
| Caterpillar Outdrive Anodes | 75 |
| Clamps - Exhaust | 45 |
| Clear View Fuel Filters | 109 |
| Clutch Pumps | 5 |
| CMAN Beneteau | 72 |
| Commercial Boat Impellers | 28-35 |
| Conversion Capsule | 112 |
| Covers - Full Engine | 129 |
| Covers - Lower Engine | 129 |
| Covers - Outboard Motor Head | 128 |
| Cummins Anodes | 75 |

| D | |
|-------------------------|-----|
| Diesel Engine Oil | 55 |
| Diesel Fuel Additives | 115 |
| Diesel Storage Additive | 115 |
| Drive Antifouling | 65 |

| E | |
|--|-------|
| EE Electro Eliminators | 68 |
| Elbows | 108 |
| Electical Sender converter for Mechanical Fuel Gauges | 112 |
| Electro Eliminators | 68 |
| Electro Magetic Clutch Pumps | 5 |
| Electro Magnetic Clutches for pumps | 6 |
| Engine Oil | 53-64 |

| | |
|---------------------------|----|
| EPA & CARB Fuel Line | 94 |
| Exhaust Bellows | 45 |
| Exhaust Clamps | 45 |
| Exhaust Hose | 46 |
| Exhaust Temperature Alarm | 47 |

| F | |
|----------------------------------|-------|
| Filters - Fuel | 109 |
| Filters - Water Separating | 109 |
| Fin Stabilisers for Outboards | 122 |
| Fire Blankets | 119 |
| Fire Extinguishers | 117 |
| Flange Mount Air Blowers | 36-37 |
| Flex Mount Air Blowers | 38-39 |
| Flexible Impeller Pumps | 2 |
| Flushing | 50 |
| Fogging Oil | 64 |
| Fuel Additives | 113 |
| Fuel Bulkhead Fittings | 108 |
| Fuel Elbows | 108 |
| Fuel Filters | 109 |
| Fuel Fittings Application Chart | 100 |
| Fuel Gauge Kits | 111 |
| Fuel Gauges | 110 |
| Fuel Gauges | 112 |
| Fuel Line | 93 |
| Fuel Line Adapter for Jerry Cans | 86 |
| Fuel Pick-Ups for Fuel Tanks | 91 |
| Fuel Senders | 110 |
| Fuel Shut Off Valves | 108 |
| Fuel Tank Cleaner | 116 |
| Fuel Tank Fill Hose | 94 |
| Full Engine Covers | 129 |
| Funnels | 86 |

| G | |
|---------------------------|-----|
| Gauges - Fuel | 110 |
| Gear Oil | 56 |
| Gear Oil | 62 |
| Gear Pumps | 4 |
| General Purpose FIP Pumps | 2 |
| GORI Anodes | 73 |
| Grease - Rock Oil | 57 |
| Grease - StarBrite | 64 |
| Grease - Stern Tube | 58 |
| Grease - Water Pump | 58 |

| H | |
|-----------------------------------|-----|
| Hand Pumps | 47 |
| Handles - Extension for Outboards | 122 |
| Hold Down Kits | 88 |
| Honda Fuel Fittings & Connectors | 101 |
| Honda Fuel Line | 96 |
| Hose - Exhaust | 46 |

| | |
|--------------------------|-----|
| Hose - Fuel | 93 |
| Hose - Fuel | 94 |
| Hose Barbs | 107 |
| Hose Clips | 44 |
| Hose Menders | 107 |
| Hydraulic Steering Oil | 57 |
| Hydrofoil Fin Stabiliser | 122 |

I

| | |
|-----------------------------|-------|
| Impeller Pumps | 2 |
| Impeller Tools | 21 |
| In Line Fuel Filters | 109 |
| In Line Mount Air Blowers | 40-41 |
| Inboard Engine Oil | 54 |
| Inhibitor Spray for Engines | 58 |

J

| | |
|---|-----|
| Johnson / Evinrude / Bombardier / BRP Fuel Line | 97 |
| Johnson / Evinrude Fuel Fittings & Connectors | 102 |

K

| | |
|----------------------|-----|
| Kill Switch | 120 |
| Kill Switch Lanyards | 120 |
| Kit - Fuel Gauge | 111 |

L

| | |
|------------------------|-------|
| Lanyards - Kill Switch | 120 |
| Leg Anodes | 69 |
| Leisure Boat Impellers | 22-27 |
| Line - Fuel | 93 |
| Lower Engine Covers | 129 |

M

| | |
|---|-----|
| Mariner Fuel Fittings & Connectors | 103 |
| Mariner Fuel Fittings & Connectors | 104 |
| Max-Prop Anodes | 73 |
| Mechanical Fuel Gauges | 112 |
| Mercury / Mariner Fuel Line | 97 |
| Mercury / Mariner Fuel Line | 98 |
| Mercury Anode Kits | 76 |
| Mercury Anode Kits | 77 |
| Mercury Anodes | 78 |
| Mercury Anodes | 79 |
| Mercury Fuel Fittings & Connectors | 103 |
| Mercury Fuel Fittings & Connectors | 103 |
| Moeller Fuel Fittings Application Chart | 100 |
| Motor Head Covers | 128 |
| Motor Tube Locks | 121 |
| Mounting Pads for Outboards | 124 |

N

| | |
|-----------------------------------|-----|
| Nissan Fuel Fittings & Connectors | 104 |
|-----------------------------------|-----|

O

| | |
|-------------------------|----|
| OEM Outboard Fuel Lines | 96 |
| Oil - Diesel Engine | 55 |

| | |
|---|-------|
| Oil - Engine | 53-64 |
| Oil - Gear | 56 |
| Oil - Gear | 62 |
| Oil - Hydraulic Steering | 57 |
| Oil - Inboard Engine | 54 |
| Oil - Rock Oil | 53-58 |
| Oil - StarBrite | 59 |
| Oil - TC-W3 | 53 |
| Oil - TC-W3 | 59 |
| Oil - Transmission | 56 |
| Oil Absorbent Sump Booms | 64 |
| Oil Change Pumps | 4 |
| OMC, Johnson, Evinrude, Bombardier, BRP | 80 |
| Outboard Brackets | 126 |
| Outboard Engine Fuel Tanks | 87 |
| Outboard Engine Fuel Tanks | 88 |
| Outboard Flushing Muffs | 50 |
| Outboard Full Engine Covers | 129 |
| Outboard Lower Engine Covers | 129 |
| Outboard Motor Head Covers | 128 |
| Outboard Motor Locks | 121 |
| Outboard Mounting Pads | 124 |
| Outboard Storage Brackets | 125 |
| Outboard Tiller Extensions | 122 |
| Outboard Transom Pads | 123 |
| Outboard Wedge Plates | 124 |

P

| | |
|-----------------------------|-----|
| Partition Mount Air Blowers | 42 |
| Pencil Anodes | 71 |
| Petrol Fuel Additives | 113 |
| Petrol Storage Additive | 114 |
| Power, Trim & Tilt Fluid | 63 |
| Primer Bulbs | 99 |
| Propeller Bags | 128 |

R

| | |
|--------------------------|-------|
| Radice Anodes | 74 |
| Replacement Cap Kit | 88 |
| Rock Oil | 53-58 |
| Rock Oil Antifreeze | 52 |
| Rock Oil Grease | 57 |
| Rock Oil Inhibitor Spray | 58 |
| Rudder Anodes | 69 |

S

| | |
|---------------------------------------|-----|
| Safety Lanyards | 120 |
| Scania Engine Pumps | 20 |
| Security Cable for Outboards | 121 |
| Senders - Fuel | 110 |
| Shaft Anodes | 66 |
| Ships Wheel Marked Fire Extinguishers | 117 |
| Siphon Pumps | 47 |
| Sole Diesel | 75 |





| | |
|---|-----|
| Stabilisers for Outboards | 122 |
| StarBrite Antifreeze | 51 |
| StarBrite Grease | 64 |
| StarBrite Oil | 59 |
| Star Tron Diesel | 115 |
| Star Tron Petrol | 113 |
| Star Tron Tank Cleaner | 116 |
| Stern Tube Grease | 58 |
| Streamline Shaft Anodes | 66 |
| Suzuki Fuel Fittings & Connectors | 105 |

T

| | |
|--|-----|
| Tank Cleaner | 116 |
| Tank Selection Valves | 108 |
| Tank Vents | 92 |
| TC-W3 Oil | 53 |
| TC-W3 Oil | 59 |
| Temperature Alarms - Exhaust | 47 |
| Tiller Extension Handles | 122 |
| Tohatsu Fuel Fittings & Connectors | 104 |
| Transmission Oil | 56 |
| Transmission Oil | 63 |
| Transom Pads - Aluminium | 124 |
| Transom Pads - Plastic | 123 |
| Trim Tab Anodes | 69 |

U

| | |
|--------------------------------------|----|
| Universal Fuel Lines | 99 |
| Universal Outdrive & Leg Anode | 71 |

V

| | |
|--------------------------------|------|
| Vacuum Valves | 7 |
| Valves - Fuel | 108 |
| Volvo Penta Anode Kits | 81 |
| Volvo Penta Anodes | 82 |
| Volvo Penta Anodes | 83 |
| Volvo Penta Engine Pumps | 8-15 |

W

| | |
|------------------------------|-------|
| Water Pump Grease | 58 |
| Water Resistant Grease | 58 |
| Water Separators | 109 |
| Waterlock | 44 |
| Wedge Plates | 124 |
| Wet Exhaust Bellows | 45 |
| Wet Exhaust Clamps | 45 |
| Wet Exhaust Hose | 46 |
| Wet Exhaust Waterlock | 44 |
| Workshop Tools | 48-49 |
| Worm Drive Hose Clips | 44 |
| Worm Drive Hose Clips | 93 |

Y

| | |
|---|-------|
| Yamaha Anodes | 84 |
| Yamaha Fuel Fittings & Connectors | 106 |
| Yamaha Fuel Line | 98 |
| Yanmar Anodes | 84 |
| Yanmar Engine Pumps | 16-19 |

TERMS & CONDITIONS

1. CONTRACTS

- Contracts are made and orders accepted only upon and subject to these Terms and Conditions of Sale. All other conditions are hereby excluded unless expressly accepted in writing by Bainbridge International Ltd or Aqua-Marine International Ltd (hereinafter called the "Seller").
- In entering into a contract with the Seller, the contracting party (hereinafter called the "Buyer") acknowledges that the contract has not been induced by any representations orally or in writing made by the Seller, its servants or agents.
- Any quotation, estimate or tender previously given or made by the Seller was not an offer but an intimation of the terms upon which the Seller was prepared to negotiate. The offer to contract with the Buyer made by these conditions may be accepted by the Buyer in a formal manner or may be inferred from the Buyer's acceptance of performance, in whole or in part, by the Seller. Any conditions contained in any purported acceptance by the Buyer shall be disregarded and the acceptance shall be construed as an unqualified acceptance of these conditions.
- Any typographical, clerical or other error or omission in any sales literature, quotation, price list, acceptance of offer, invoice or other document or information issued by the Seller shall be subject to correction without any liability on the part of the Seller.

2. PRICES

- Unless expressly stated otherwise by the Sellers, all prices quoted are ex works and exclude the cost of packing. Any applicable value added tax or any other sales tax or excise duties paid or payable by the Seller shall be added to the price and shall be payable by the Buyer.
- The Seller may, at their sole absolute discretion, accept or reject any order placed by the Buyer. The Seller may change the price of goods for future invoiced goods to the Buyer without notice.
- In the event of the Buyer cancelling a part of the order in accordance with the provisions of Clause 12, the Seller reserves the right to revise the price or prices quoted for goods already delivered.
- The contract price is, unless specifically agreed upon in writing by the Seller, payable in Pound Sterling. The Seller reserves the right to review the contract price(s) in the event of devaluation of the Pound Sterling or substantial change in the value of Pound Sterling in the foreign exchange markets.

3. CONDITIONS AND WARRANTIES

- Seller shall not be liable for the normal manufacturing defects nor any customary variations from quantities or specifications. A variance of not more than 15% either way from the total specified weight, quantity or length shall be deemed compliance with this contract.
- Where samples of goods or a colour chart are provided, these are submitted only as indicative of the class, size or colour of goods quoted for and sales of goods shall not be by reference to any such samples or colour charts.
- Whilst all description and illustrations of the goods in (interalia) catalogues, brochures, web sites and price lists provided by the Seller have been carefully prepared, they are intended nevertheless for general guidance only and do not form part of any contract for sale of goods and no responsibility is accepted for any errors or omissions therein or for any loss or damage resulting from reliance on such descriptions and illustrations.
- When the Seller agrees to provide a specially designed plan, the Buyer agrees that he is obliged to check the accuracy and suitability of the plan and that the Seller shall not be liable for any omissions or inaccuracies in the measurements given. The copyright in the plan drawn up by the Seller is, and remains, their property and may not be reproduced in whole or in part without written consent.
- If the Buyer claims or detects a defect in the goods, the Buyer will seek prior approval and return those goods to the Seller or, if the goods are retained by the Buyer, indemnify and keep the Seller indemnified against all liability and claims which may arise out of or incidental to the defect.
- The Seller has undertaken no responsibility for learning about the end purpose or use for which the goods are to be used, and the Buyer shall undertake to conduct whatever tests or examinations are necessary to confirm that goods are suitable for such end use.
- Any textile products that may be sold hereunder are sold subject to any imperfections that are typically regarded as acceptable in the textile trade resulting from the weaving and finishing thereof, and Seller shall have no liability in connection with any such imperfections. Buyer warrants that all merchandise covered by this contract is purchased for resale as tangible personal property, or to be incorporated as a component or part of other tangible property to be produced for sale by manufacturing, assembling or processing.

4. DELIVERY BY THE SELLER

- Unless and except as otherwise expressly provided in writing by the Seller, delivery shall be ex works place of business.
- Any dates quoted for delivery of the goods are approximate only and the Seller shall not be liable for any delay in delivery of the goods howsoever caused. Time for delivery shall not be of the essence unless previously agreed by the Seller in writing.
- Where goods are offered for delivery to a site, the Seller's obligation is to deliver as near to the site as safe hard roads permit. The Buyer is to provide at its own expense the labour required for unloading and stacking.
- The Seller reserves the right to deliver goods by instalments and in such event each instalment shall be treated as a separate contract save that the delivery of further instalments may be withheld until goods contained in earlier instalments have been paid for in full.
- Where goods are held by the Seller awaiting delivery instructions, they may be subject to a storage charge. For account holding customers, payment for these goods must be made on or before the last day of the month following the month of the invoice; for non-account holding customers, payment must be made at the time of ordering.
- In the absence of shipping instructions, the issuing of an invoice shall constitute delivery to the Buyer.

5. COLLECTION BY THE BUYER

- Where goods are sold "ex-factory" the Buyer shall collect the goods at the Sellers premises within seven days of the Seller's notifying the buyers that the goods are ready for collection.

- If the Buyer fails to collect the goods within seven days of notification that they are ready for collection, then, without prejudice to any other right or remedy available to the Seller, the Seller may:

- Store the goods until actual delivery and charge the Buyer for reasonable costs (including insurance) of storage; or
- Sell the goods at the best price readily obtainable (after deducting all reasonable storage and selling expenses) account to the Buyer for the excess over the price under the contract or charge the Buyer for any shortfall below the price.

6. DAMAGE, LOSS, SHORT DELIVERY

- On delivery, the Buyer shall examine the goods for defects and completeness. Thereafter no claim for damage in transit, for shortage in delivery, or for loss of goods will be entertained except, in the case of damage, a separate notice in writing is given to the Carriers or to the Seller within three days of the receipt of the goods, followed within 14 days of the date of advice of despatch by a complete claim in writing; or, in the case of loss of goods, a separate notice in writing and a claim is given to the Seller and Carriers within 14 days of the date of the Seller's advice of despatch to the Buyer. In all cases a signature "unexamined" shall be deemed to be an unconditional acceptance of the goods.
- The Seller shall not in any circumstances be liable, whether in contract or tort, to the Buyer for any indirect or consequential loss or damage (including without limitation, loss of profits, loss of contracts or damage to property) or for any claim against the Buyer by any third party.
- The Seller's liability for damage or non-delivery of goods duly notified in accordance with the above shall in any event be limited to replacement of the goods within a reasonable time (or, at the Seller's option, refunding the price thereof) whether the damage or non-delivery is due to the Seller's negligence or otherwise.

7. ROLL LENGTHS

- Where goods are sold as a measured length there may be a variation in length of plus or minus 2%. In the event of a claim the seller reserves the right to insist that the roll be returned for measuring before a settlement is agreed.

8. CREDIT AGREEMENTS

- Where the Sellers has granted the Buyer a credit facility, the price of goods and/or service shall be paid by the Buyer as per the payment terms specified on the invoice or, if the Seller shall so require under Clause (b) of this Clause 7, to be paid on demand without any period of notice.
- The Seller reserves the right to withdraw or vary credit facilities at any time to the Buyer without either giving any reason for doing so, or thereby incurring any liability to the Buyer.
- If the Buyer takes goods from the Seller in excess of the Buyer's credit limit, the Seller may require payment on delivery for such excess of goods.

9. TERMS OF PAYMENT

- Unless credit facilities have been granted to the Buyer or unless otherwise specifically provided in writing, the price for the goods shall be paid by the Buyer in cash on delivery and in default the Seller shall be entitled to withhold delivery until payment. In the case of non-cash sales, the Seller shall be entitled to charge and recover interest from the Buyer on the price of the goods calculated at whichever shall be the greater: the statutory interest payable under the Late Payment of Commercial Debts (Interest) Act 1998 or the rate of 4% per annum
- Unless otherwise expressly agreed upon in writing, no other discounts or commissions are to become due or allowable to the Buyer (any previous course of dealing between the parties notwithstanding).
- Where there is a term of contract that payment of any of the Seller's invoices is dependant upon the issues of the certificate of a third party, the due date for payment of the invoice is not later than 14 days after the issue of the relevant certificate.

10. LATE PAYMENT

- When payment of any of the Seller's invoices is overdue, the Seller may suspend their performance of the contracts to which the invoice relates and/or of any other contract then subsisting between the Seller and the Buyer.
- In the event of legal action being taken by the Seller against the Buyer for breach of payment obligations hereunder, the Buyer shall be responsible for all costs and disbursements incurred by the Seller on a full indemnity basis.

11. RISK AND LIABILITY

- b. c. Risk of damage to or loss of the goods shall pass to the Buyer at the time of delivery or, if the Buyer at the time of delivery of the goods, the time when the Seller has tendered delivery of the goods. For the purpose of this Clause 10, "delivery" shall mean the arrival of the goods at the place of delivery of the Buyer where delivery is by the Seller, or the safe loading of the goods into the Buyer's vehicles at the Seller's premises where delivery is through collection by the Buyer. In no event shall the Seller be liable for damages with respect to the sale or use of any product sold hereunder in any amount greater than the amount of the purchase price received by the Seller for that particular product. In addition, the Seller shall not be liable for any consequential, incidental, or special damages or costs or expenses in the event of any breach of warranty or in the event of any loss, damage injury or cost resulting from, or arising out of, or in respect of the goods being sold hereunder. When any goods are sold hereunder bear a particular label, trademark, or trade name, affixed at the request of the Buyer, it is the understanding of the parties that the Buyer warrants that he has the right to use said label trademark or trade name, and that he hereby agrees to indemnify and hold harmless the Seller against any loss, damage or claim by any person with respect thereto.
- The Buyer agrees to reimburse the Seller, and hold Seller harmless against liability for all expenses, including legal fees, incurred by the Seller that may arise in connection with Seller's enforcement of its rights under this contract.
- The Seller has undertaken no responsibility for learning about the end purpose for which the goods are to be used, and Buyer shall undertake to conduct whatever tests or examinations are necessary to confirm that goods are suitable for such end use.

12. RETENTION OF TITLE

- Notwithstanding delivery and the passing of risk in the goods or any other provision of these conditions, the property in the goods shall not pass to the Buyer until the Seller has received in cash (or cleared funds) payment in full of the price of the goods and all other goods agreed to

be sold by the Seller to the Buyer for which payment is then due.

- Until such time as the property in the goods passes to the Buyer, the Buyer shall hold the goods as the Seller's fiduciary agent and bailee, and shall keep the goods separate from those of the Buyer and third parties and properly stored, protected and insured and identified as the Seller's property. Until that time the Buyer shall be entitled to resell or use the goods in the ordinary course of its business, but shall account to the Seller for the proceeds of the sale or otherwise of the goods, whether tangible or intangible, including insurance proceeds, and shall keep all such proceeds separate from any monies or property of the Buyer and third parties and, in the case of tangible proceeds, properly stored, protected and insured.
- Until such time as the property in the goods passes to the Buyer (and provided the goods are still in existence and have not been resold), the Seller shall be entitled at any time to require the Buyer to deliver up the goods to the Seller and, if the Buyer fails to do so forthwith, to enter upon any premises of the Buyer or any third party where the goods are stored and repossess the goods.
- The Buyer shall not be entitled to pledge or in any way charge by way of security for any indebtedness any of the goods which remain the property of the Seller, but if the Buyer does so, all monies owing by the Buyer to the Seller shall (without prejudice to any other right or remedy of the Seller) forthwith become due and payable.

13. CUSTOMER CANCELLATION OF ORDERS

Contracts and orders and parts thereof may be cancelled only by the Seller's written acceptance of such cancellation. Where the Seller accepts such cancellation, the Seller reserves the right to charge the Buyer with the amount of any losses or expenses directly or indirectly resulting from such cancellation. Where the Seller does not accept such cancellation, the Seller, reserves the right to recover the invoice price from the Buyer and to charge the Buyer with additional losses both direct and indirect resulting from such cancellation. In any case where the Seller were required to place a deposit with a manufacturer or supplier in respect of an order, the Seller may require the Buyer to reimburse such sum in the event of cancellation.

14. CUSTOMERS RETURNING GOODS

- The seller will only accept goods being returned by customers if prior consent has been given by the seller. In the event of wishing to return goods customers must contact the seller to obtain a 'goods return note number' that must then be attached in an appropriate manner to the goods. The seller reserves the right to refuse to accept goods being returned by a buyer. In cases where the seller does agree to accept a return the seller reserves the right to charge a handling fee not exceeding 50% based on the invoice price of the goods.
- Excluding circumstances where goods are being returned for the reason of damage or are subject to warranty claim, goods being returned to the seller must arrive in a condition that allows them to be re-sold. In the event that returned goods are not in good condition the seller reserves the right to withdraw any agreement for credit with the buyer or to charge a handling fee.

15. CONSENTS

The obtaining of any necessary consents for the installation of the goods, whether from local or other authorities or for ensuring that the installation of the goods is in accordance with the provisions of any by-laws, regulations or statutes shall not be the responsibility of the Seller.

16. FORCE MAJEURE

The Seller shall not be liable to the Buyer or be deemed to be in breach of contract by reason of any delay in performing, or any failure to perform, any of the Seller's obligations in relation to the goods, if the delay or failure was due to any cause beyond the Seller's reasonable control. Without prejudice to the generality of the foregoing, the following shall be regarded as causes beyond the Seller's control:

- Act of God, explosion, flood, tempest, fire or accident;
- War or threat of war, sabotage, insurrection, civil disturbance or requisition;
- Acts, restrictions, regulations, by-laws, prohibitions or measures of any kind on the part of any governmental, parliamentary or local authority;
- Import or export regulations or embargoes;
- Strikes, lock-outs or other industrial actions or trade disputes (whether involving employees of the Seller's or of a third party);
- Difficulties in obtaining raw materials, labour, fuel, parts or machinery;
- Power failure or breakdown in machinery.

17. INSOLVENCY

The Seller shall have the right to terminate the contract forthwith where the buyer becomes insolvent or bankrupt or makes arrangements with its creditors or suffers a receiver to be appointed or being a body corporate enters into liquidation (other than in connection with a reconstruction or amalgamation) in any of which cases the Seller shall have no further obligation hereunder and the price for all goods delivered and work done shall become immediately due and payable.

18. LAW APPLICABLE

These conditions shall be governed and construed in accordance with English law and all disputes arising in connection therewith shall be submitted to the jurisdiction of the English courts.

19. GENERAL

- No provision hereof shall be deemed waived and no breach or default excused unless such waiver or excuse is in writing signed by an authorised officer of the party making the writing.
- If any provision or part of a provision of this Agreement shall be, or found by any authority or court of competent jurisdiction to be, invalid or unenforceable, such invalidity or unenforceability shall not affect the other provisions or parts of such provisions of this Agreement, all of which shall remain in full force and effect.
- The headings in this document are inserted for convenience only and shall not constitute a part of or be referred to in its interpretation.

© Bainbridge International Limited 2014 Bainbridge® is a registered trademark of Bainbridge International Limited. Bainbridge Sail & Cover is a trademark of Bainbridge International Limited. Aqua-Marine is a trademark of Aqua-Marine International Limited. Bainbridge International Ltd. 8 Flanders Park, Hedge End, Southampton, Hampshire, SO30 2FZ England
Tel: +44 (0)1489 776030 • Fax: +44 (0)1489 776035
Email: info@bainbridgeint.co.uk • www.bainbridgeint.com



Bainbridge

ALL SALES ENQUIRIES

Bainbridge International Ltd. 8 Flanders Park, Hedge End, Southampton,
Hampshire SO30 2FZ UK

T: +44 (0) 1489 776000 **F:** +44 (0) 1489 776005 **E:** info@bainbridgeint.co.uk

W: www.bainbridgmarine.com

