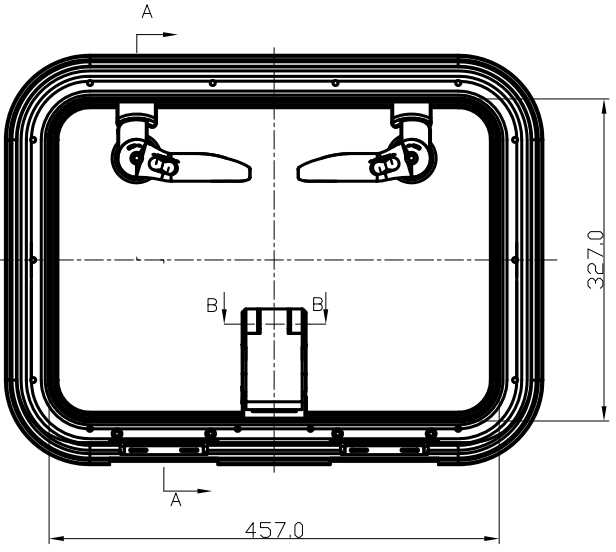
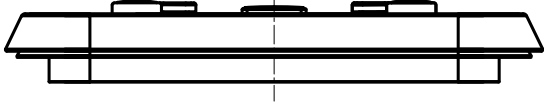
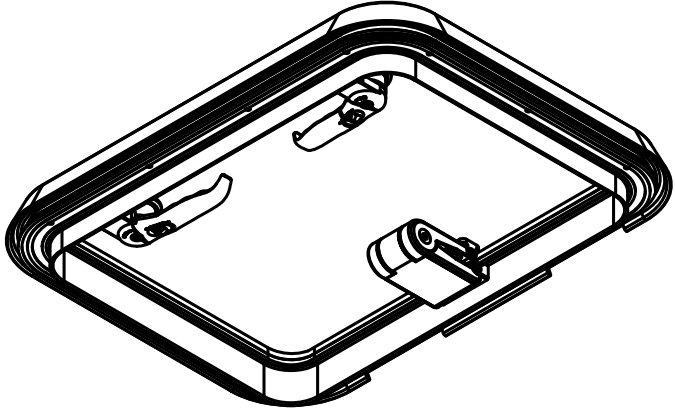
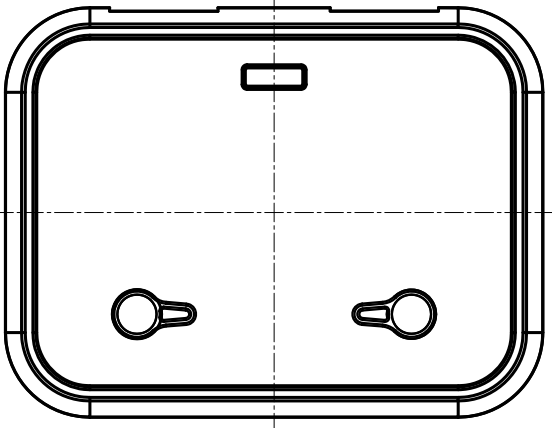
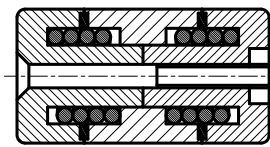


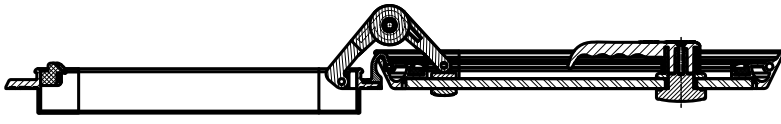
NO.(ECN)	Revision	Description	Date	Revised
----------	----------	-------------	------	---------



A-A



B-B  
2:1



Unless otherwise specified; tolerances are:  
 1. Wall Thickness =  $\pm 5\%$   
 2. Angles =  $\pm 2^\circ$   
 3. Profile dimensions fit : ISO JS13  
 ★ INDICATES "CRITICAL TO QUALITY" DIMENSION  
 REMOVE BURRS AND SHARP CORNERS 0.10-0.25



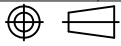
Bainbridge International Ltd

327x457 天窗组装图 Size 30/  
 327x457 Square Hatch Flange base(Assembly)

Drawn: Z.H.D. Date: 20091126

Checked: Date:

Approved: Date:

Projection:  A4V

M'TL:

Scale: 1:8

DWG. NO.: 09138AAB25

Weight: g

Dimensions: M/M

Finish:

SHEET 1 OF 1

Customer's No.: SZIE 30