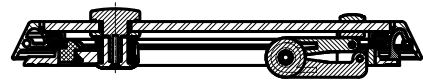
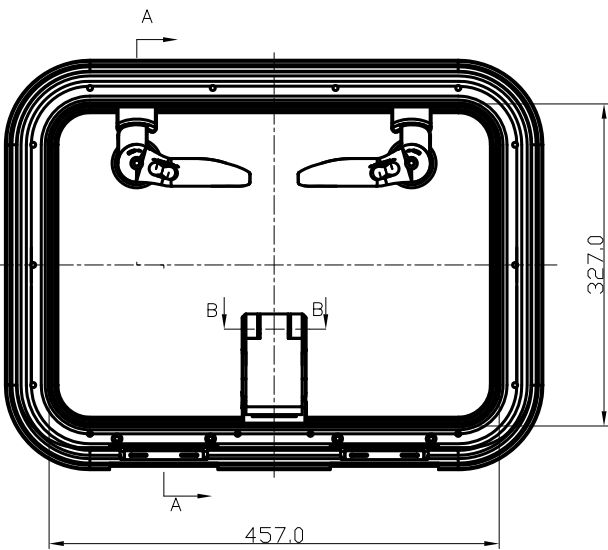
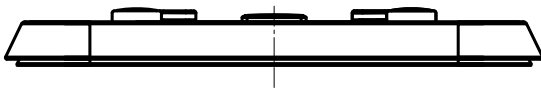
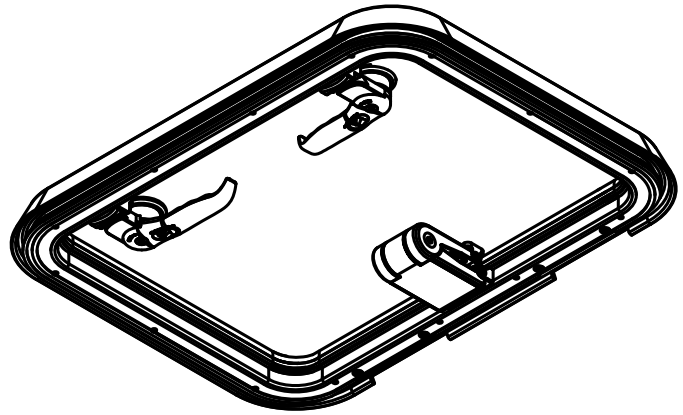
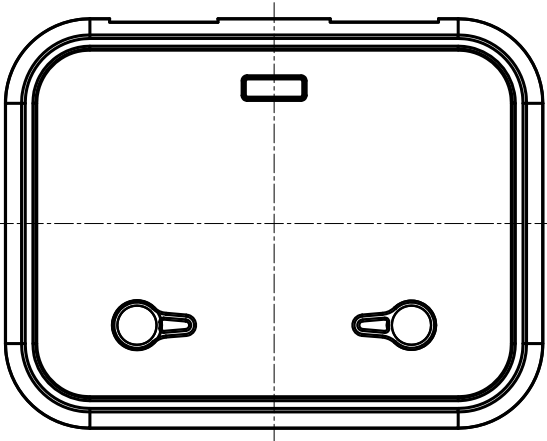
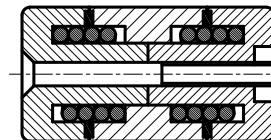


NO.(ECN)	Revision	Description	Date	Revised
----------	----------	-------------	------	---------



A-A



B-B
2:1



Unless otherwise specified; tolerances are:
 1. Wall Thickness = $\pm 5\%$
 2. Angles = $\pm 2^\circ$
 3. Profile dimensions fit : ISO JS13
 ★ INDICATES "CRITICAL TO QUALITY" DIMENSION
 REMOVE BURRS AND SHARP CORNERS 0.10-0.25



Bainbridge International Ltd

327x457 天窗组装图 Size 30/
 327x457 Square Hatch Flat base(Assembly)

Drawn: Z.H.D. Date: 20091126

Checked: Date:

Approved: Date:

Projection: A4V

M'TL: Scale: 1:8

Weight: g Dimensions: M/M

Finish: SHEET 1 OF 1

DWG. NO.: 09138AAB0

Customer's No.: SIZE 30