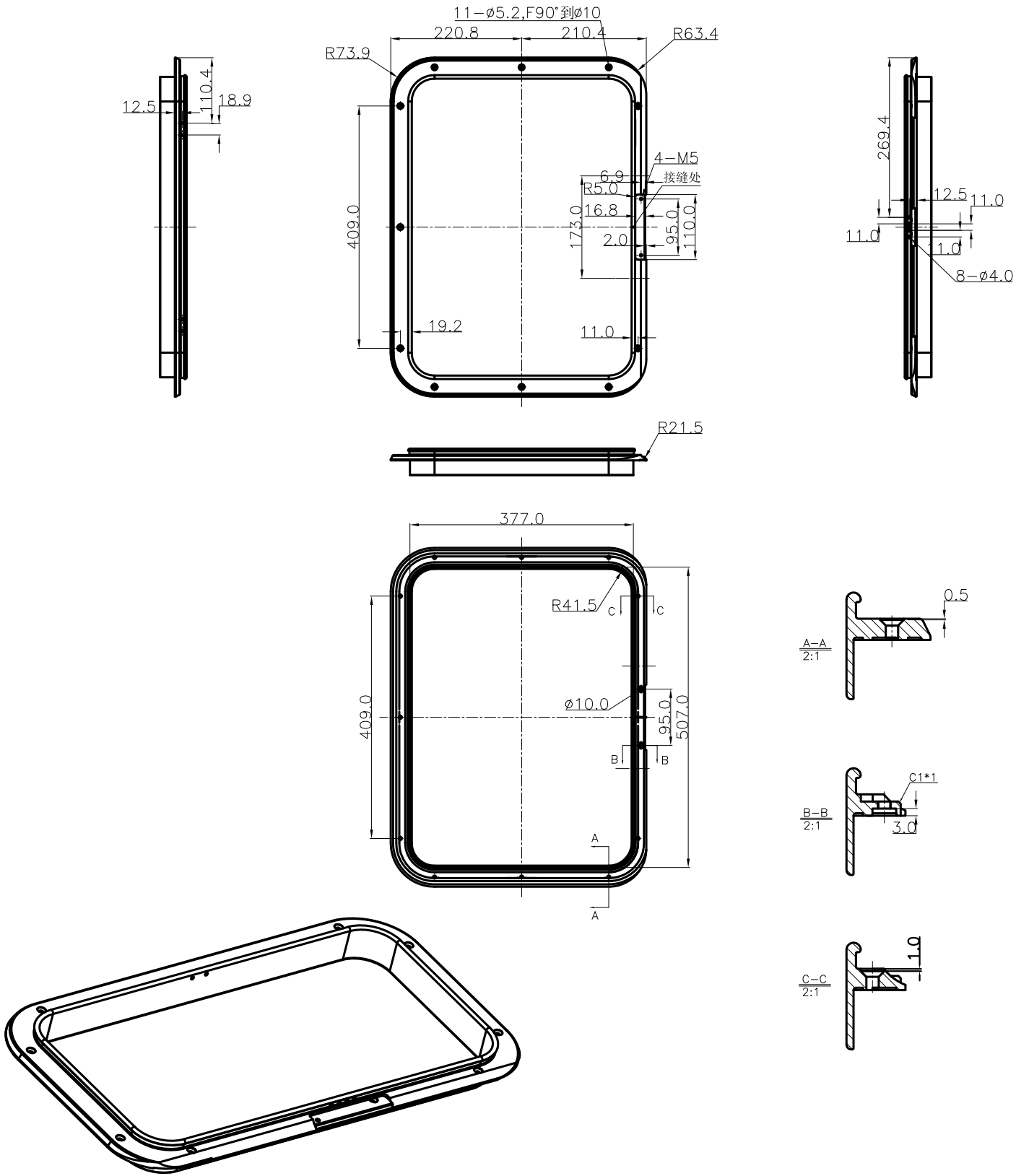


NO.(ECN)	Revision	Description	Date	Revised
----------	----------	-------------	------	---------



Unless otherwise specified; tolerances are:

1. Wall Thickness = $\pm 5\%$
 2. Angles = $\pm 2^\circ$
 3. Profile dimensions fit : ISO JS13
- ★ INDICATES "CRITICAL TO QUALITY"
 REMOVE BURRS AND SHARP CORNERS



Bainbridge International Ltd

下框 \ (Size50)

377*507 Square Hatch Flange base(Lower frame)

Drawn: 0.25 Z.H.D. Date: 20090928

Checked: Date:

M'TL: AL6063 Scale: 1:8

DWG. NO.: 5093222000

Approved: Date:

Weight: g Dimensions: M/M

Projection: A4V

Finish: 阳极处理 SHEET 1 OF 1

Customer's No.: