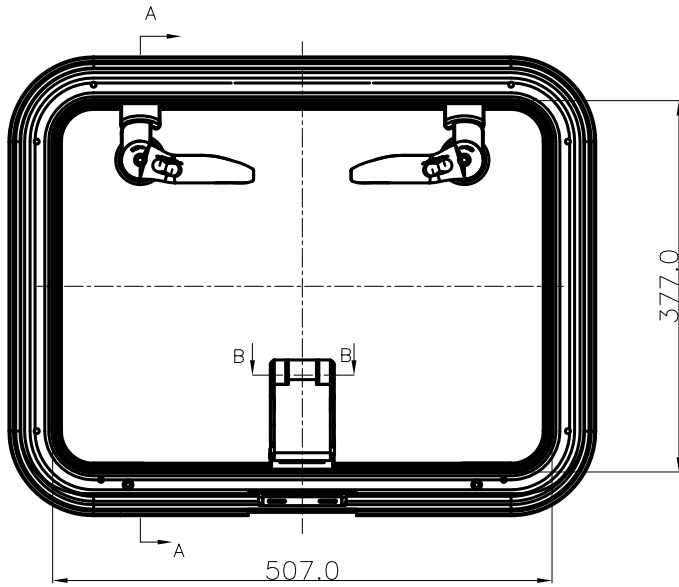
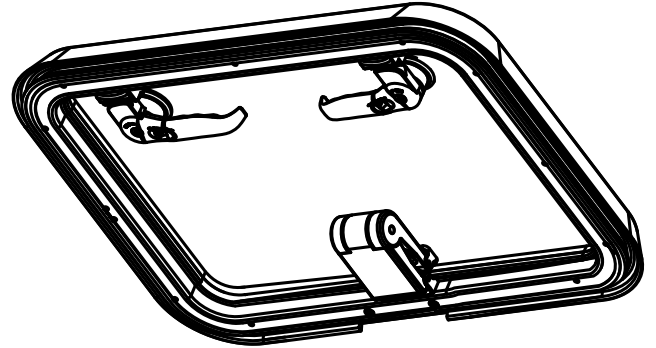
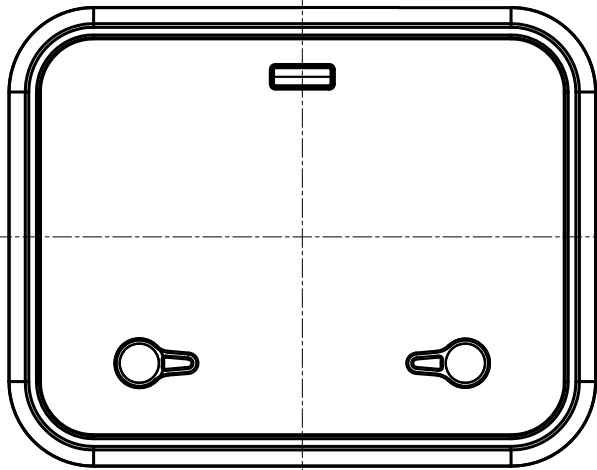
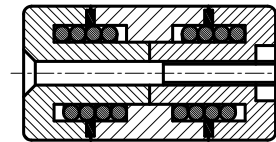


NO.(ECN)	Revision	Description	Date	Revised
----------	----------	-------------	------	---------

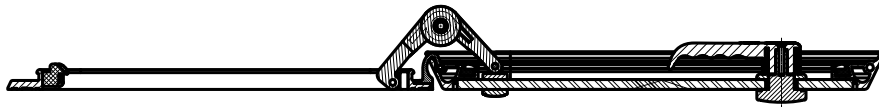
图纸性质 待确认
 确认日期 年 月 日



A-A



B-B
2:1



Unless otherwise specified; tolerances are:

1. Wall Thickness = $\pm 5\%$
 2. Angles = $\pm 2^\circ$
 3. Profile dimensions fit : ISO JS13
- ★ INDICATES "CRITICAL TO QUALITY"
 REMOVE SPACERS AND SHARP CORNERS



Bainbridge International Ltd

377*507 天窗组装图/(Size50)
 377*507 Square Hatch Flange base(Assembly)

Drawn: 0.25 Z.H.D. Date: 20090917

Checked: Date:

M'TL: Scale: 1:8

DWG. NO.: 09322AAB0

Approved: Date:

Weight: g Dimensions: M/M

Projection: A4V

Finish: SHEET 1 OF 1

Customer's No.: