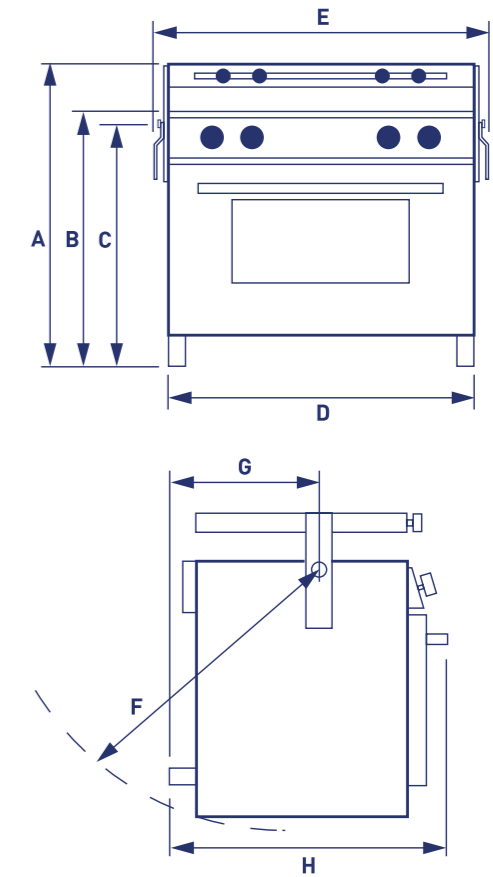


Neptune 4500 Series

- ◆ A 450mm marine cooker, designed and manufactured in the UK
- ◆ Features: hob, grill and oven with integrated gimballs and searails
- ◆ Flame failure device on all burners
- ◆ 3KW fast burner standard on all hobs
- ◆ Supplied with grill pan
- ◆ Stainless steel construction 4500 & 4500 Deluxe, stainless steel front, top and fascia – 4500E
- ◆ Vitreous enamelled oven interior for easy cleaning
- ◆ Thermostat controlled oven
- ◆ Spark ignition on all burners (except 4500E model)
- ◆ Stainless steel door with window
- ◆ Awarded PBO Best Buy



Model	Finish	Electric Ignition on all burners	Flame Failure Device	Gimballs & Searails	Gimball Lock	Part No
Neptune 4500 Deluxe	All stainless construction with black and silver door	Yes - controlled by fascia switch	Yes - on all burners	Yes - included as standard	Yes	LE60108D
Neptune 4500	All stainless construction	Yes - controlled by fascia switch	Yes - on all burners	Yes - included as standard	No	LE60108
Neptune 4500 E	Stainless front, top and fascia with zintec sides	No	Yes - on all burners	Yes - included as standard	No	LE60108E

Model range	Key Features	A : Base to fiddle rail mm	B : Base to pan support mm	C : Base to gimbal bracket mm	D : Width without gimballs mm	E : Width with gimballs mm	F: Gimbaling arc mm	G : Back to gimbal fixture mm	Depth mm	Weight kg	Oven Dims mm
Neptune 4500D / 4500 / 4500E	450mm wide 2 burner hob with separate grill and oven	560	505	475	450	470	510	225	420	18.5	360x250x220
Neptune 4500 Hob	450mm wide 2 burner hob with separate grill	245	190	250	450	485	305	210	400	5.8	-
Pacific 4500	450mm wide 2 burner hob and oven (no grill)	485	425	395	450	470	435	225	420	14.7	360x250x220
Gulf 4500	450mm wide 2 burner hob	150	110	178	450	485	255	210	400	2.8	-
Neptune 5000	500mm wide 3 burner hob with separate grill and oven	620	570	550	500	520	590	245	460	28.5	400x256x240
Pacific 5000	500mm wide 3 burner hob and oven (no grill)	485	435	416	500	520	460	240	460	25	400x256x240

Neptune 4500 Hob

- ◆ 2 hob burner with separate grill underneath
- ◆ Ideal for installations where space is a premium
- ◆ Perfect for craft with very small galley
- ◆ 1 x 3kw plus 1 x 2kw burners
- ◆ Stainless steel construction throughout



Model	Key Features	Width mm	Part No
Neptune 4500 Hob	2 hob burner with grill	450	LE60110

Neptune 5000

- ◆ Perfect for craft with a good sized galley
- ◆ Large oven, 500mm wide
- ◆ 3 burner hob provides practical cooking
- ◆ 2 x 2kw burners and 1 x 1kw
- ◆ Oven volume: 24.5litres
- ◆ Electric spark ignition
- ◆ Thermostat controlled oven
- ◆ Integrated gimball lock included
- ◆ Door safety catch prevents door from opening if the boat heels
- ◆ Heavy duty searail and thumbscrew pan clamps included
- ◆ Stainless steel construction throughout



Model	Key Features	Width mm	Part No
Neptune 5000	3 hob burner with separate grill and oven	500	LE60102



Gulf 4500

- ◆ Simple 2 burner hob
- ◆ Ideal for installations where space is a premium
- ◆ Perfect for craft with very small galley
- ◆ 1 x 3kw plus 1 x 2kw burners
- ◆ Stainless steel construction throughout

Model	Key Features	Width mm	Part No
Gulf 4500	2 hob burner	450	LE60111



Neptune / Pacific / Gulf Searails & Gimbal Kits

- ◆ A selection of 'add-on' parts to upgrade your marine cooker

Description	Format	Barcode	Part No
Standard rail/ pan clamp fits LE60108/109	Bagged	5056228206576	LE17464



Pacific 4500 & 5000

- ◆ Popular European model - this layout features a hob with oven underneath
- ◆ Compact height - whilst still providing a standard sized marine oven
- ◆ Flame failure device on all burners
- ◆ 4500 - 1 x 3kw plus 1 x 2kw burners
- ◆ 5000 - 2 x 2kw plus 1 x 1kw burners
- ◆ Stainless steel construction throughout
- ◆ Vitreous enamelled oven interior for easy cleaning

Model	Key Features	Width mm	Part No
Pacific 4500	2 hob burner with oven	450	LE60109
Pacific 5000	3 hob burner with oven	500	LE60104



Atlantic 4500

- ◆ Oven volume: 19 litres
- ◆ Incorporates an internal grill within oven and 2 burner stove with safety valve
- ◆ Searails and gimbal kits included
- ◆ Easy to use handles for carrying or moving
- ◆ Four feet if placed on a surface rather than mounted on gimbals
- ◆ Secure oven door lock
- ◆ Easy to read oven temperature gauge

Description	Dimensions: cm W x D x H	Weight: kg	Barcode	Part No
2 burner hob with oven and internal grill	45 x 31.5 x 48.5	17.5	5056228221500	AQM60208

Ceramic Hobs 2 - 4 Zone

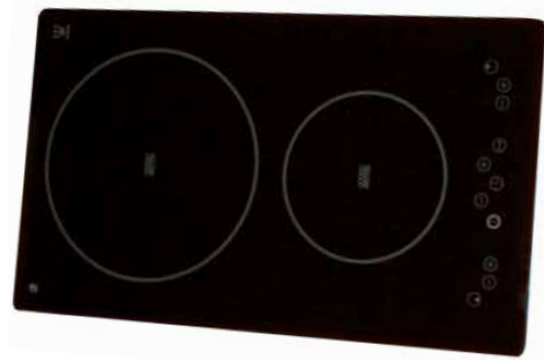
- ◆ Our stylish range of ceramic glass electric hobs and griddles are ideal for luxury vessels with their own AC voltage supply
- ◆ Available in 230v & 100v with a range of heating options including Induction
- ◆ Sleek, modern look for premium galleys
- ◆ Vitroceramic glass makes for easy cleaning
- ◆ Hot hob indicator safety feature
- ◆ Rotary control knobs offer simple ease of use
- ◆ Touch panels offer a flush, unobstructed surface and additional safety lock and slide control



Model	Voltage	Control	Hobs / Zones	Length mm	Width mm	Depth mm	Part No
Ceramic hob 2	230V AC	Rotary knob	2 x 1200watt	490	260	45	LE49463
Ceramic hob 2	110V AC	Rotary knob	2 x 1200watt	490	260	45	LE50359
Ceramic hob 4	230V AC	Rotary knob	1 x 1800, 1 x 1500 & 2 x 1200watt	560	490	45	LE50366
Ceramic hob 2	230V AC	Touch panel	2 x 1200watt	490	290	45	LE50360
Ceramic hob 2	110V AC	Touch panel	2 x 1200watt	490	290	45	LE50361
Ceramic hob 3	230V AC	Touch panel	3 x 1200watt	515	480	45	LE50364
Ceramic compact hob 4	230V AC	Touch panel	4 x 1200watt	533	457	45	LE186329
Ceramic hob 4	230V AC	Touch panel	1 x 1800, 1 x 1500 & 2 x 1200watt	560	490	45	LE49464

Induction Hobs 2 - 3 Zone

- ◆ Stylish and easy to clean
- ◆ Faster and more energy efficient than conventional electric hob
- ◆ Safer to use due to reduced heat on glass
- ◆ Safety lock function



Model	Voltage	Control	Hobs / Zones	Length mm	Width mm	Depth mm	Part No
Induction Hob 2	230V AC	Touch panel	1 x 1600, 1 x 2000watt	510	300	62	LE50362
Induction Hob 3	230V AC	Touch panel	2 x 1600, 1 x 2000watt	510	462	62	LE50363



Ceramic Griddles

- ◆ Cook straight on the glass
- ◆ Built-in spillage tray catches any grease or fat
- ◆ Simple and quick to clean

Model	Voltage	Control	Hobs / Zones	Length mm	Width mm	Depth mm	Part No
Standard	230V AC	Rotary knob	1 x 1300watt ribbed griddle plate	505	295	70	LE60112
High performance	230V AC	Rotary knob	1 x 1600watt ribbed griddle plate	505	295	70	LE60113